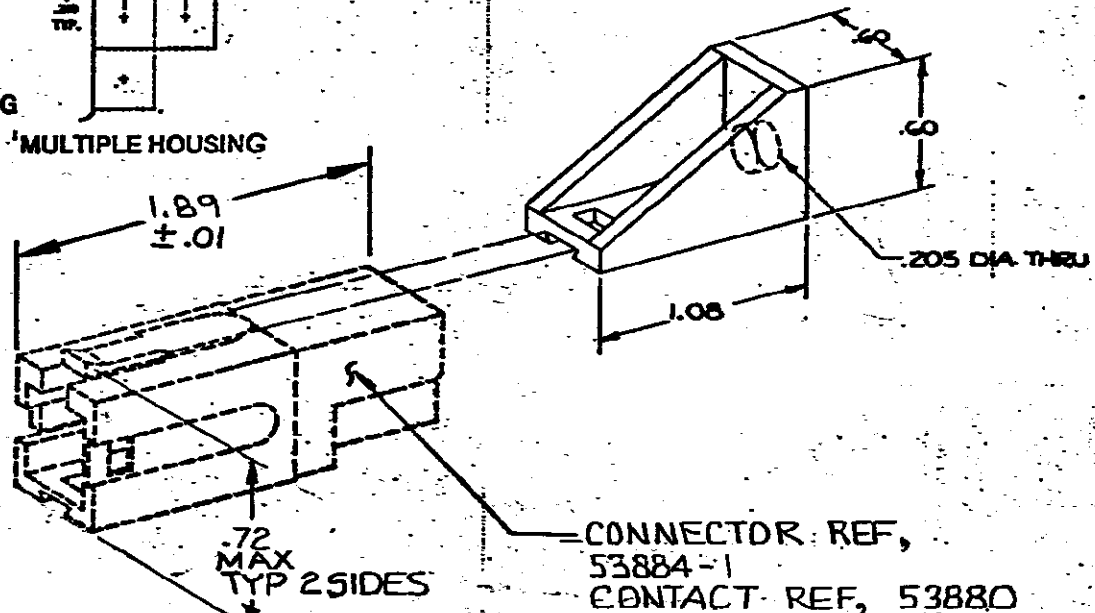
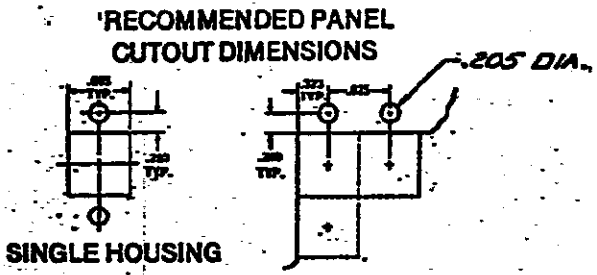


© COPYRIGHT 1975 BY AMP INCORPORATED, HARRISBURG, PA. ALL INTERNATIONAL RIGHTS RESERVED. AMP INCORPORATED PRODUCTS COVERED BY U.S. AND FOREIGN PATENTS AND PENDING. AMP INCORPORATED REPRODUCED WITHOUT WRITTEN PERMISSION OF AMP INCORPORATED.

REVISIONS				
LTR	DESCRIPTION	DATE	APPROVED	P/F
D	REV; EC0210-0350-93	8-25-75	MP	BA



- NOTE:
- MUST BE USED WITH MALE MOUNTING ADAPTER-P/N 53887-1
 - ONE EACH MINIMUM OF THE MALE & FEMALE MOUNTING ADAPTERS ARE RECOMMENDED FOR ATTACHING SINGLE AND MULTIPLE HOUSINGS.

53886-1
PART NO

UNLESS OTHERWISE SPECIFIED DIMENSIONS ARE IN INCHES. TOLERANCES ON: DECIMALS ±.010 ANGLES ± 5°	CONTRACT NO	AMP INCORPORATED Harrisburg, Pa.	NAME MOUNTING ADAPTER, FEMALE AMP POWER LOCK, SERIES 2	
	DR <i>W. J. Miller</i> 1-29-75			
	CHK <i>W. Shuckey</i> 1-29-75	SIZE A		CODE IDENT NO 00779
	MATERIAL POLYCARBONATE COLOR: BLUE	APPD <i>D.R. Hooten</i> 1-29-75		NUMBER 53886
FINISH	APPD <i>P. J. ...</i> 1/29/75	SCALE	SHEET 1 OF 1	
	DSGN APPD <i>D.W. ...</i> 1-29-75			
	OTHER APPD			