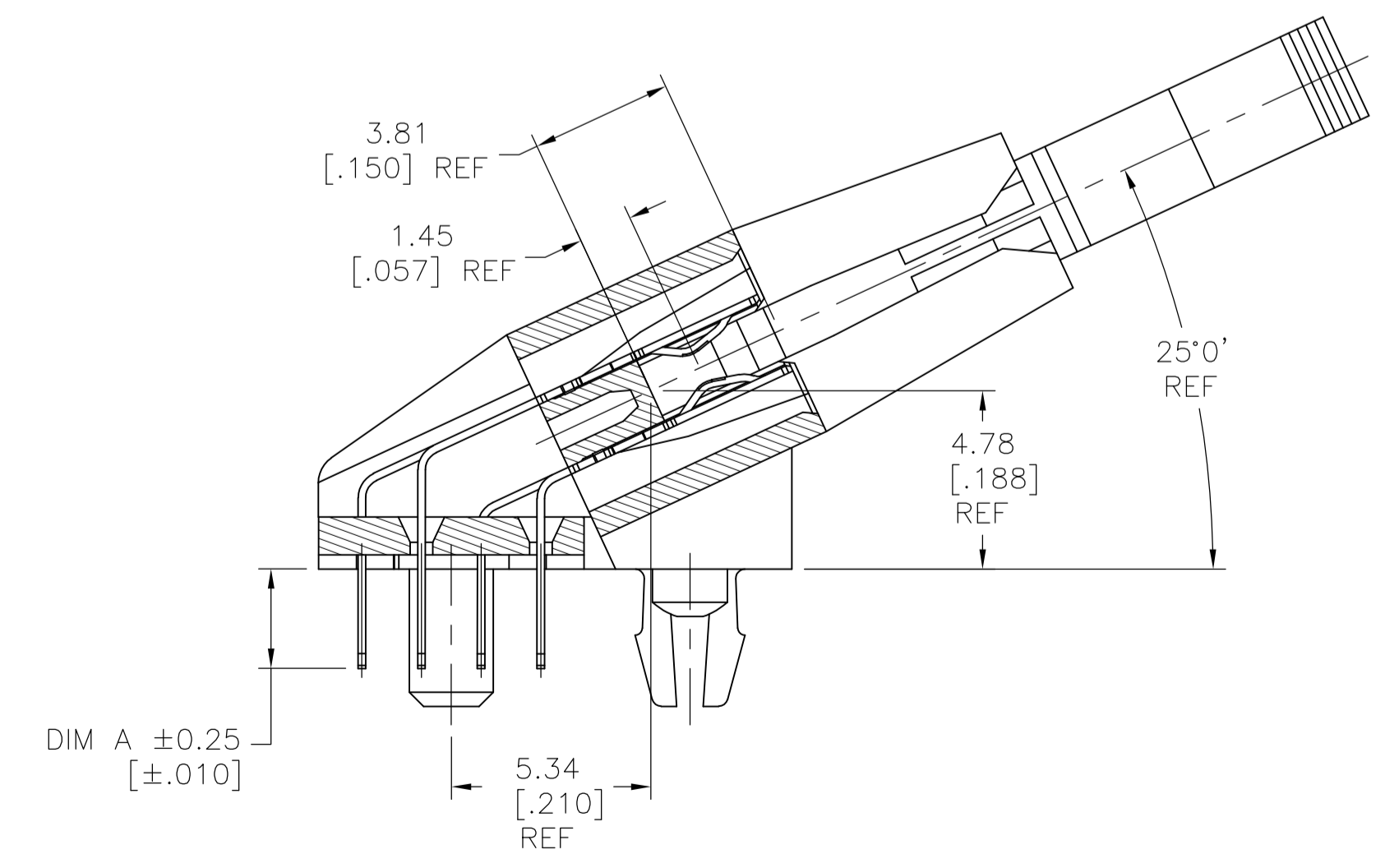
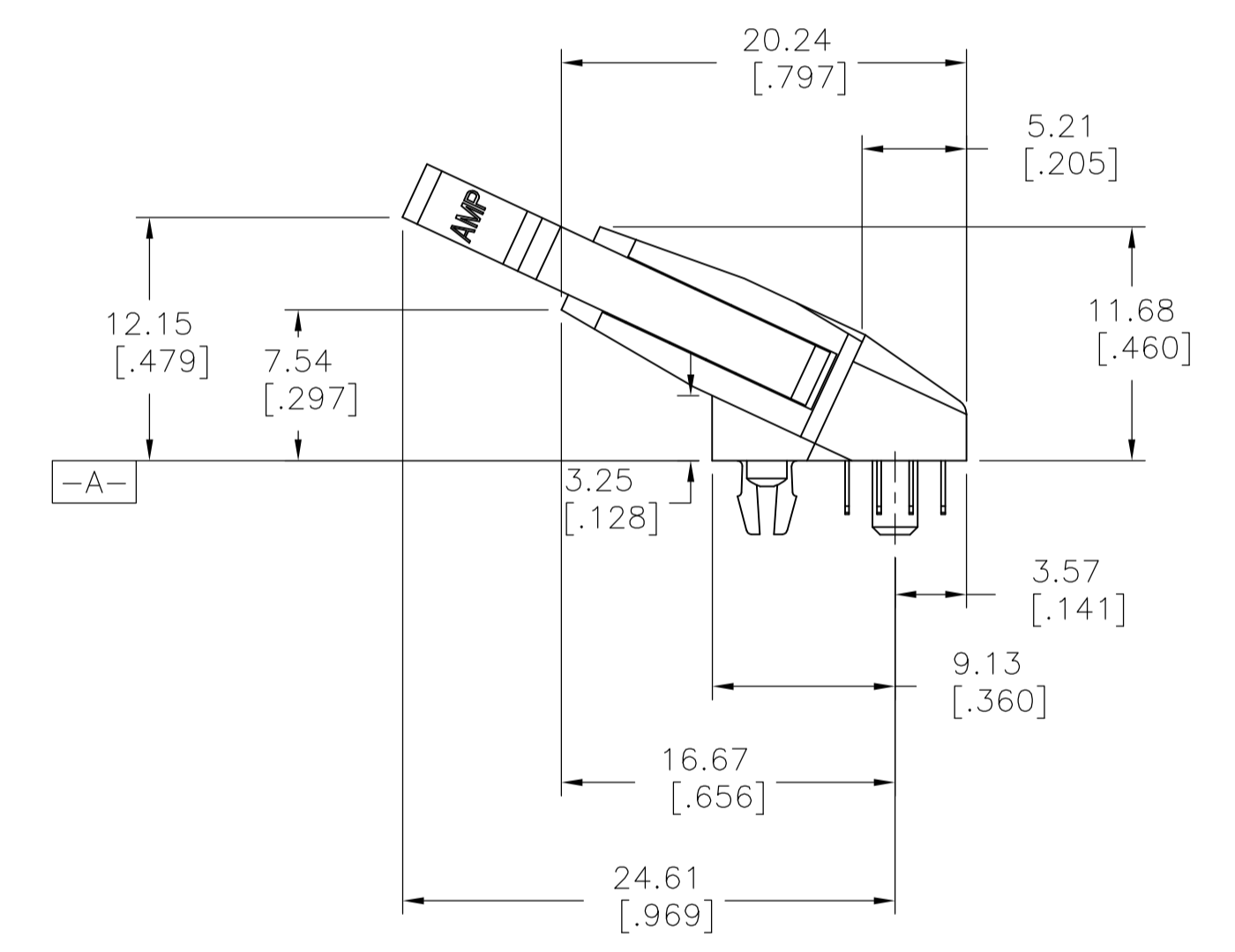
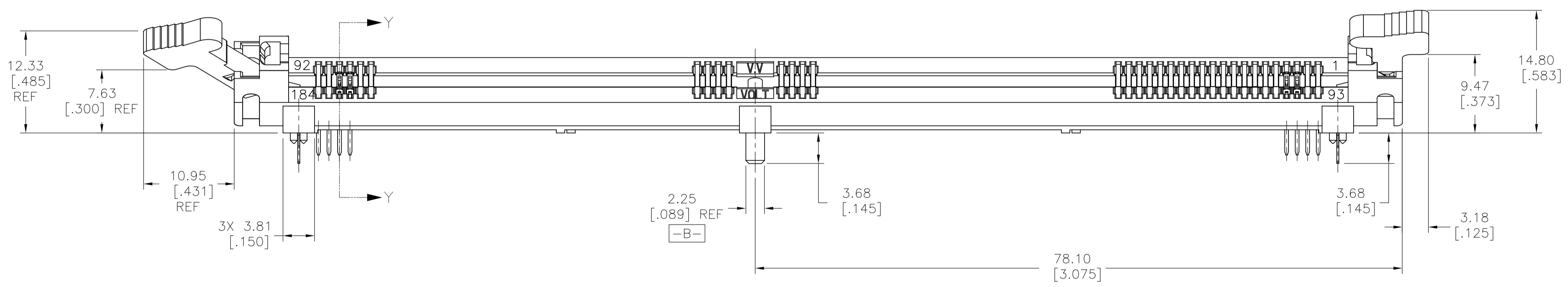
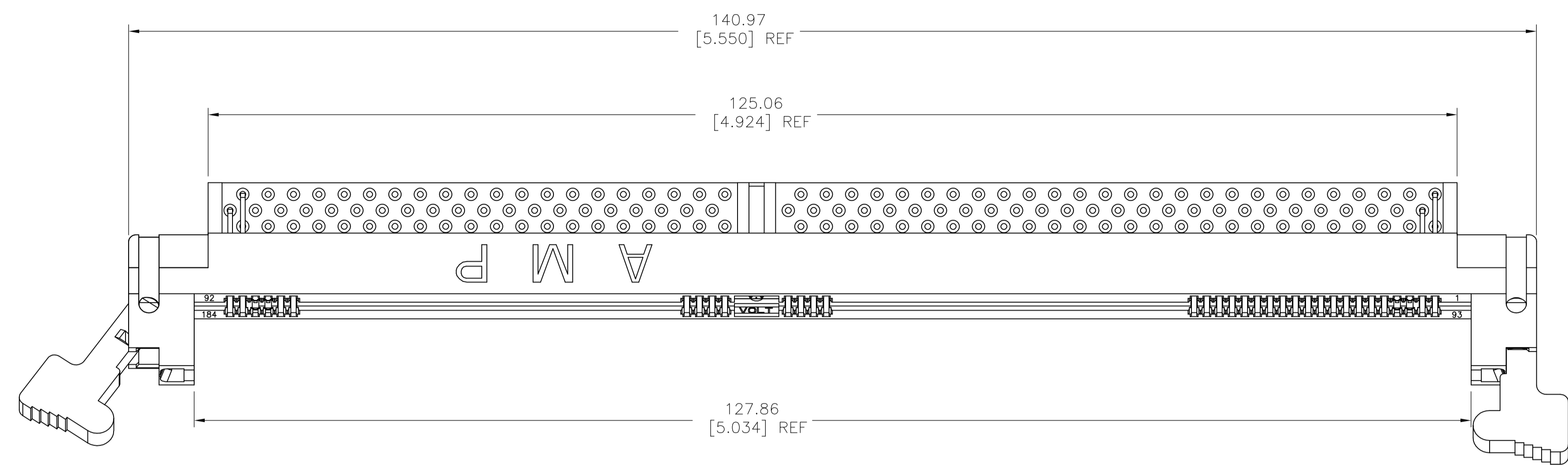


LOC		DIST		REVISIONS			
GP	00	REV	DATE	BY	CHKD	APVD	
A		REVISED PER EC OS11-0009-05	08APR05	BM		MY	
A1		REVISED PER ECO-10-000444	04NOV09	KK		AEG	

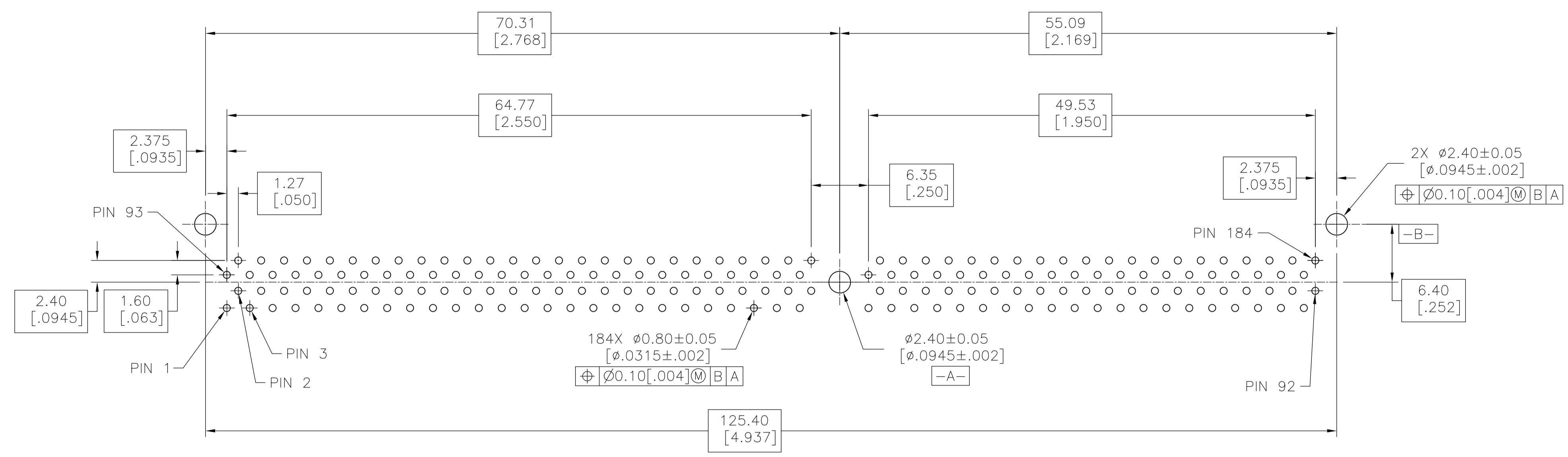
- MATERIAL:  
HOUSING AND EJECTOR:  
HIGH TEMPERATURE NYLON  
CONTACT:  
PHOSPHOR BRONZE
  - FINISH:  
CONTACT AREA:  
0.000760[.000030] MIN GOLD OVER  
0.001270[.000050] MIN THICK NICKEL  
SOLDER TAIL:  
0.00381[.000150] MIN THICK MATTE TIN OVER  
0.000641[.000025] MIN THICK NICKEL
  - MODULE BOARD PADS:  
FOR OPTIMUM PERFORMANCE PADS SHOULD BE SMOOTH AND FLAT  
PADS TO BE PLATED WITH:  
0.00102[.000040] MIN THICK GOLD OVER  
0.00127[.000050] MIN THICK NICKEL
- 4 PN: 5390402-6 IS THE SAME CONNECTOR AS 5390402-3 WITH LUBRICANT ADDED TO THE CONTACTS.
- 5 OBSOLETE PARTS: OBSOLETE CIS STREAMLINING PER D.RENAUD/D.SINISI



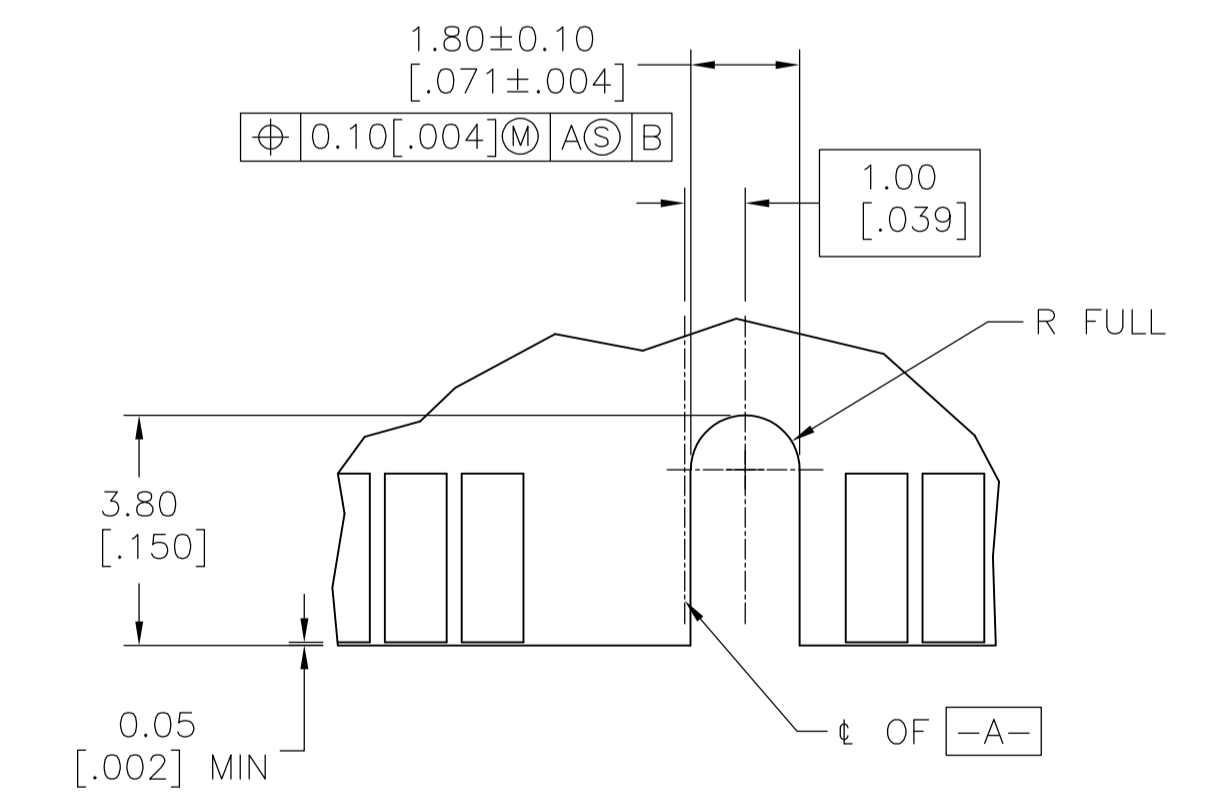
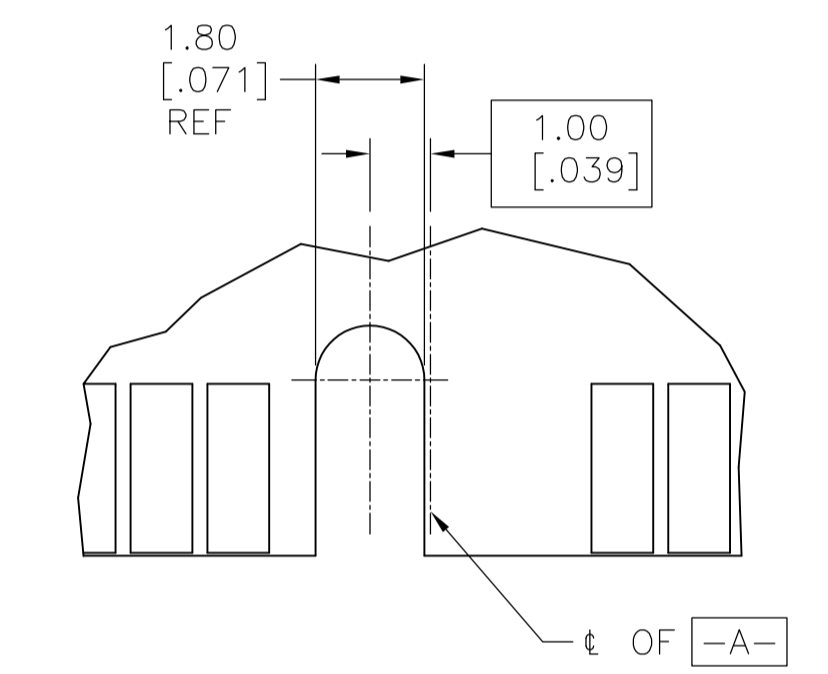
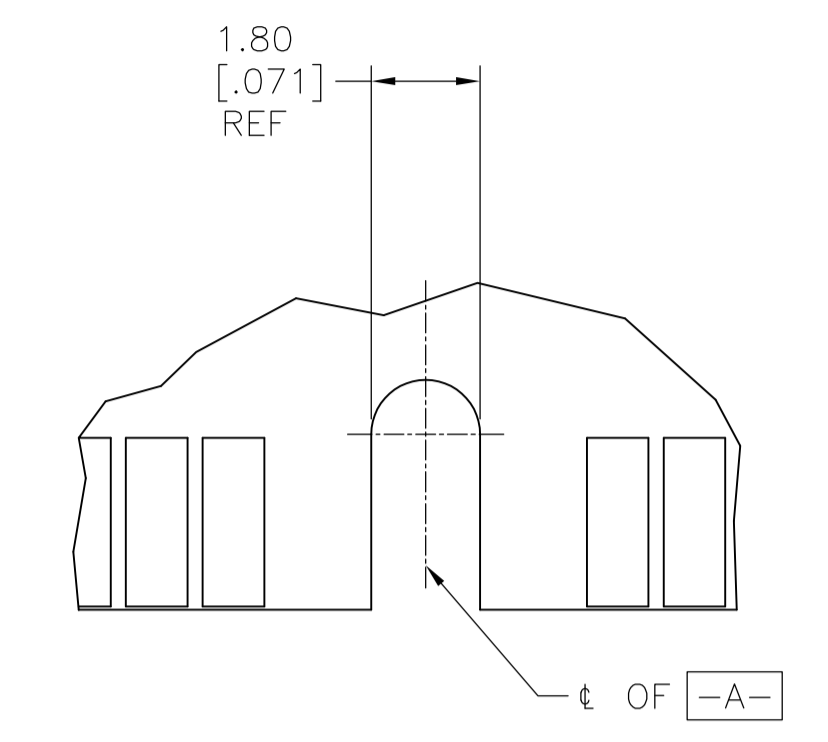
SECTION Y-Y  
SCALE 6:1

5	4.50 [.177]	DETAIL B	184 POSN. DDR, 2.5V	5390402-7
5	3.18 [.125]	DETAIL B	184 POSN. DDR, 2.5V	5390402-6 4
5	3.18 [.125]	DETAIL A	184 POSN. DDR, 1.8V	5390402-4
5	3.18 [.125]	DETAIL B	184 POSN. DDR, 2.5V	5390402-3
5	2.62 [.103]	DETAIL A	184 POSN. DDR, 1.8V	5390402-2
5	2.62 [.103]	DETAIL B	184 POSN. DDR, 2.5V	5390402-1
	DIM A	KEY POSITIONS	DESCRIPTION	PART NUMBER

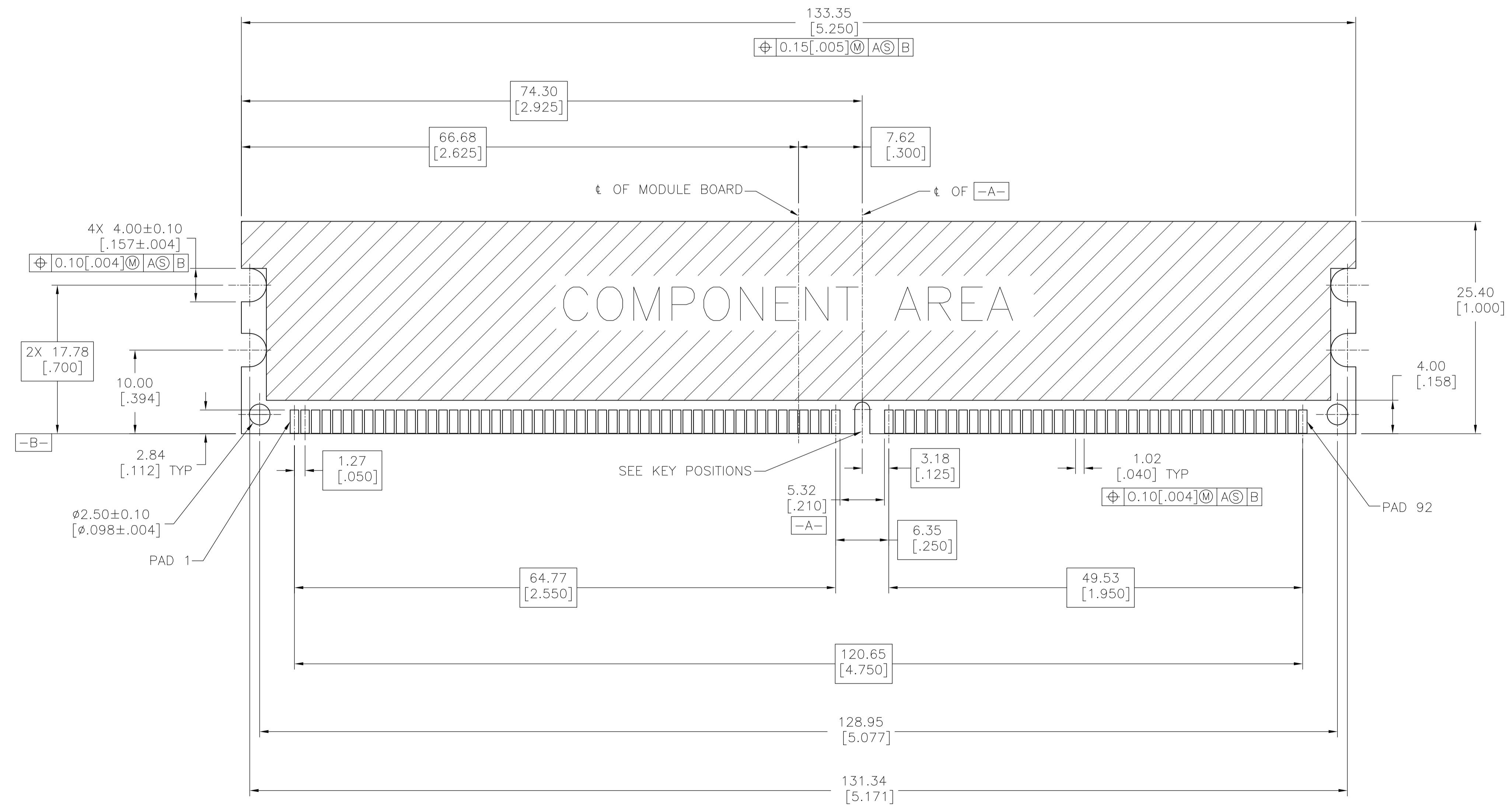
DIMENSIONS:		TOLERANCES UNLESS OTHERWISE SPECIFIED:		APPROVED:		Tyco Electronics Corporation			
mm	0 PLC ± -	1 PLC ± -	2 PLC ± 0.13[.005]	S.WAITMAN	11OCT04	Tyco Electronics Corporation Harrisburg, Pa 17105-3608			
	3 PLC ± -	4 PLC ± -	ANGLES ± -	M.YEOMANS	11OCT04	NAME: SOCKEY ASSEMBLY, 184 POS, DDR LOW PROFILE DIMM2P, LEAD FREE			
				M.YEOMANS	11OCT04	SIZE	CAGE CODE	DRAWING NO	RESTRICTED TO
						A1	00779	5390402	
						WEIGHT			
						CUSTOMER DRAWING	SCALE 3:1	SHEET 1 OF 3	REV A1



RECOMMENDED CIRCUIT BOARD HOLE LAYOUT

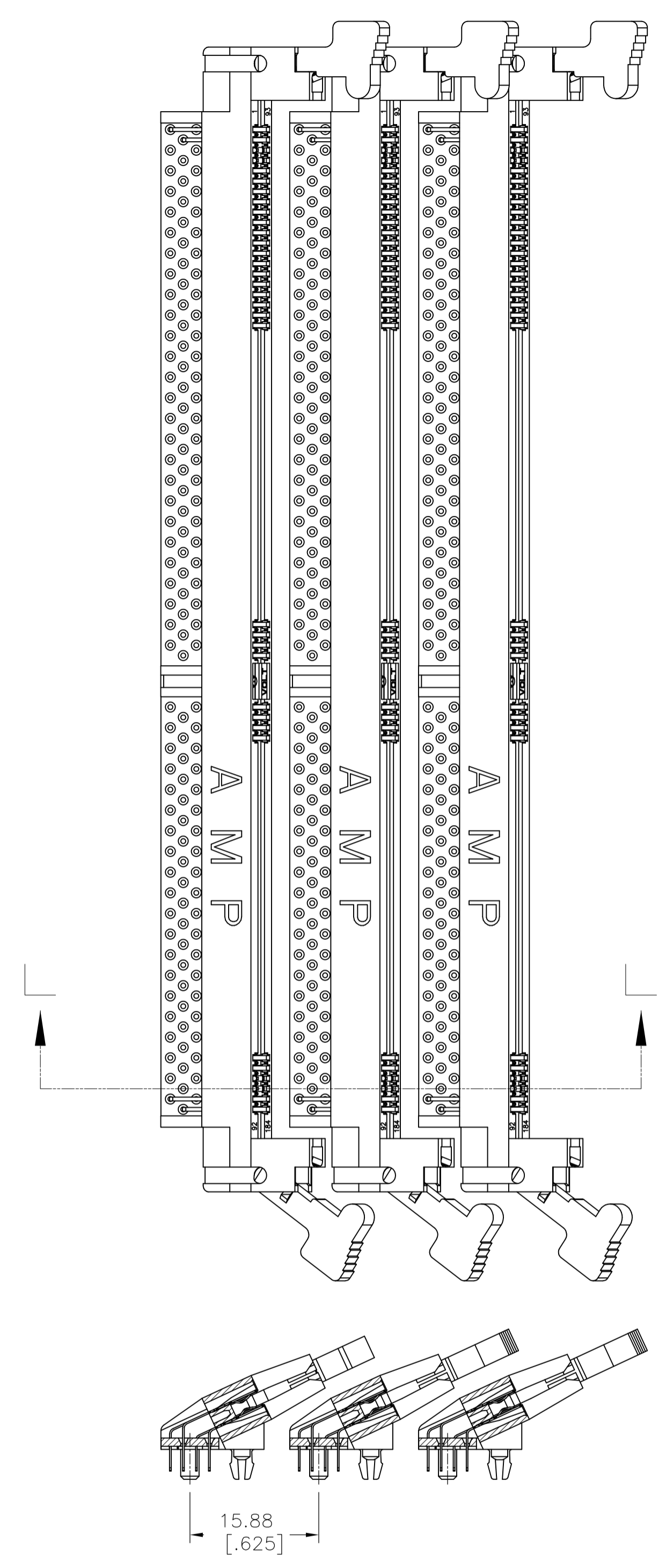


KEY POSITIONS



RECOMMENDED MODULE LAYOUT

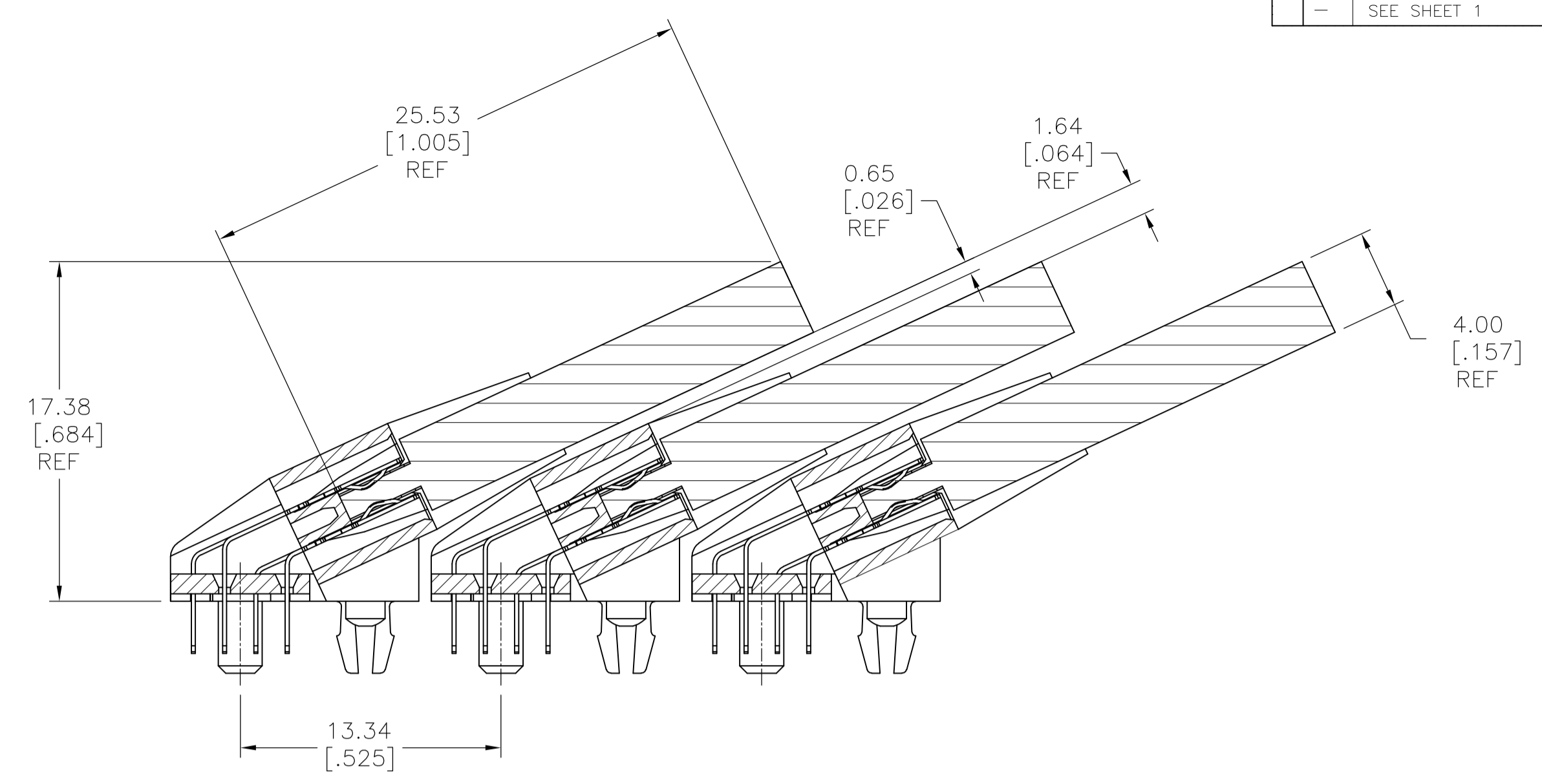
THIS DRAWING IS A CONTROLLED DOCUMENT.		DN: S. WAITMAN 11OCT04	Tyco Electronics Corporation Harrisburg, Pa 17105-3608
DIMENSIONS: mm		CHK: M. YFOMANS 11OCT04	
TOLERANCES UNLESS OTHERWISE SPECIFIED:		APP'D: M. YFOMANS 11OCT04	NAME: SOCKEY ASSEMBLY, 184 POS, DDR LOW PROFILE DIMM2P, LEAD FREE
0. PLC ± -	1. PLC ± -	PRODUCT SPEC	APPLICATION SPEC
2. PLC ± 0.13 [.005]	3. PLC ± -	SIZE: A1	WEIGHT: -
4. PLC ± -	ANGLES ± -	CAGE CODE: 00779	DRAWING NO: 5390402
MATERIAL: 1	FINISH: 2	CUSTOMER DRAWING	SCALE: 3:1
		SHEET: 2 OF 3	REV: A1



SECTION L-L  
SCALE 2:1

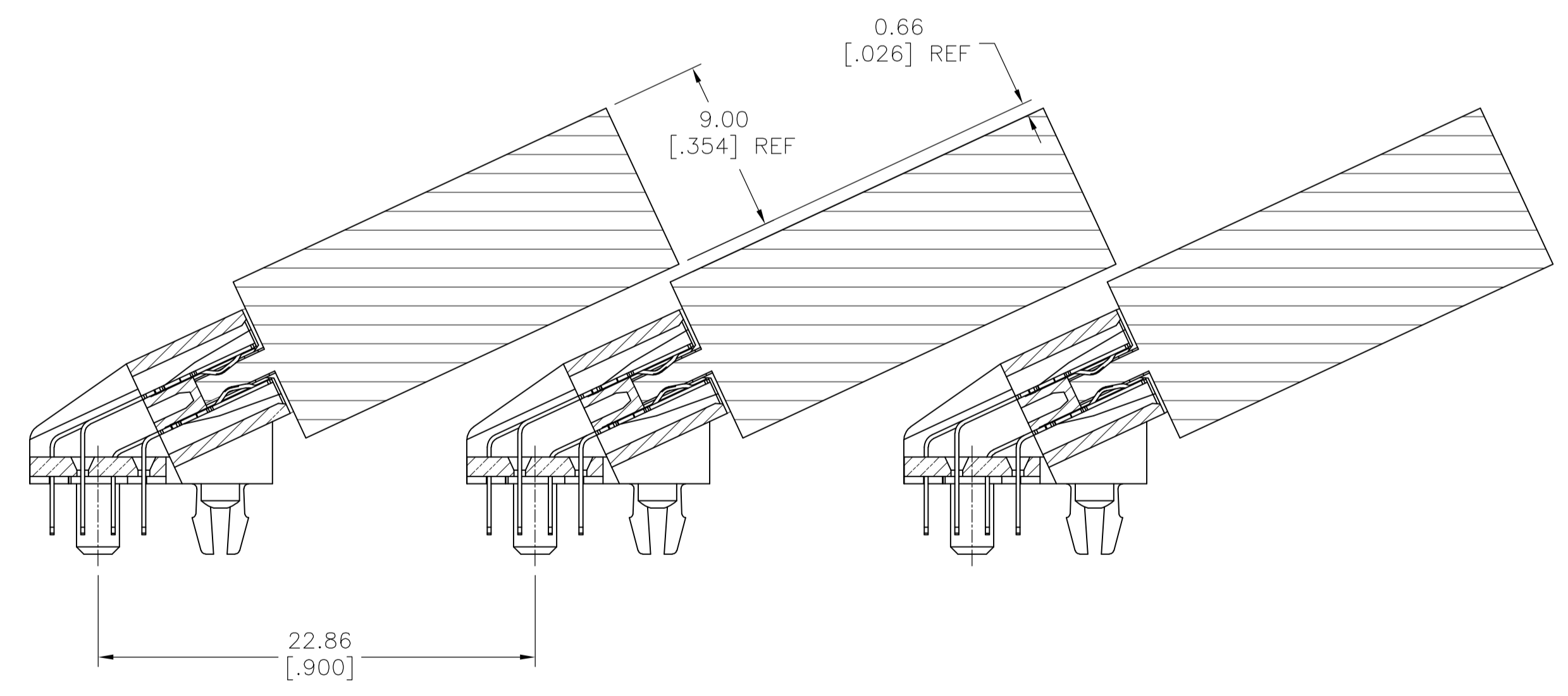
MINIMUM REPAIRABLE  
SOCKET TO SOCKET REPAIRING

WITH THE MODULES REMOVED SOCKETS ON 15.88 [.625] OR GREATER SPACING CAN BE INDIVIDUALLY UNSOLDERED FROM THE BOARD AND REMOVED IF NECESSARY



MINIMUM SOCKET TO SOCKET SPACING

WITH A 4.00 [.158] WIDE MODULE BOARD, A SOCKET TO SOCKET SPACING OF 13.34 [.525] WILL LEAVE APPROXIMATELY 0.65 [.026] OF CLEARANCE BETWEEN THE MODULE AND THE NEXT SOCKET BODY. THIS SPACING MAY OR MAY NOT BE SUITABLE DEPENDING ON YOUR MINIMUM GAP REQUIREMENTS.



POSSIBLE SOCKET TO SOCKET SPACING FOR 9MM MODULE

WITH A 9.00 [.355] WIDE MODULE BOARD; A SOCKET TO SOCKET SPACING OF 22.86 [.900] WILL LEAVE APPROXIMATELY 0.66 [.026] CLEARANCE BETWEEN THE ADJACENT MODULES. THIS SPACING MAY OR MAY NOT BE SUITABLE DEPENDING ON YOUR MINIMUM GAP REQUIREMENTS.

THIS DRAWING IS A CONTROLLED DOCUMENT.		DN S. WAITMAN 11OCT04	Tyco Electronics Corporation Harrisburg, Pa 17105-3608	
DIMENSIONS:		CHK M. YFOMANS 11OCT04	NAME	
TOLERANCES UNLESS OTHERWISE SPECIFIED:		APVD M. YFOMANS 11OCT04	SOCKET ASSEMBLY, 184 POS, DDR LOW PROFILE DIMM2P, LEAD FREE	
mm	0 PLC ± - 1 PLC ± - 2 PLC ± 0.13 [.005] 3 PLC ± - 4 PLC ± - ANGLES ± -	PRODUCT SPEC	SIZE	RESTRICTED TO
MATERIAL	FINISH	APPLICATION SPEC	CAGE CODE	DRAWING NO
		WEIGHT	A1 00779	5390402
CUSTOMER DRAWING		SCALE	4:1	SHEET 3 OF 3 REV A1