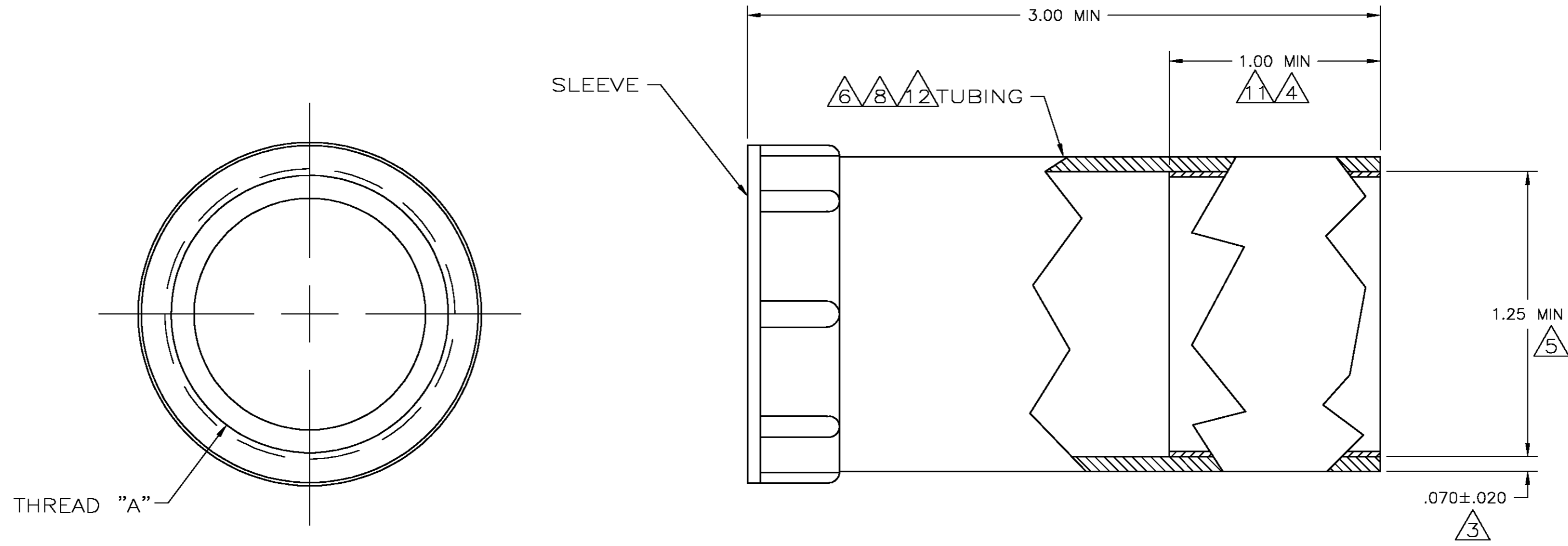


THIS DRAWING IS UNPUBLISHED. RELEASED FOR PUBLICATION  
 © COPYRIGHT BY TYCO ELECTRONICS CORPORATION. ALL RIGHTS RESERVED.

LOC	DIST	REVISIONS			
P	LTR	DESCRIPTION	DATE	DWN	APVD
FT	0	V	REVISED PER 0G3B-0366-04	4/29/04	SS SH



- NOTES:
- 1 POLYOLEFIN, BLACK.
  - 2 NYLON, BLACK.
  - 3 NOMINAL WALL THICKNESS, EXPANDED.
  - 4 LENGTH OF SEALANT.
  - 5 EXPANDED INSIDE DIAMETER.
  - 6 12.70[.500] MAXIMUM RECOVERED INSIDE DIAMETER.
  - 7. ASSEMBLY WILL PASS 0.0703 KG PER SQ CENTIMETER [ONE POUND PER SQ IN.] WATER PRESSURE TEST.
  - 8 121°C [250°F] SHRINK TEMPERATURE.
  - 9. -55°C TO 110°C [-67°F TO 230°F] OPERATING TEMPERATURE.
  - 10. THIS PART WILL ACCOMODATE  $\phi 13.97 - \phi 31.75$  [ $\phi 0.550 - \phi 1.250$ ] CABLE RANGE.
  - 11 NO SEALANT APPLIED.
  - 12 ACTUAL SHAPE MAY VARY DUE TO PROCESS VARIANCE.

11	1	7/16-18 UNEF-2B	54012-6
11	1	3/8-18 UNEF-2B	54012-5
	1	7/16-18 UNEF-2B	54012-4
	1	3/16-18 UNEF-2B	54012-3
	1	3/8-18 UNEF-2B	54012-1
THREAD "A"			PART NUMBER

THIS DRAWING IS A CONTROLLED DOCUMENT.		DWN C.REIFSNYDER 10 APR 96	Tyco Electronics Corporation Harrisburg, PA 17105	
DIMENSIONS: INCHES		CHK R.STONE 15 APR 95	NAME STRAN RELIEF ASSY, SHELL SIZE 23, CPC	
TOLERANCES UNLESS OTHERWISE SPECIFIED:		APVD T.A.WETZEL 03 MAY 96	SIZE A2	CAGE CODE 00779
0 PLC ± -		PRODUCT SPEC	DRAWING NO C=54012	RESTRICTED TO
1 PLC ± -		APPLICATION SPEC	SCALE 2:1	SHEET 1 OF 1
2 PLC ± -		WEIGHT	REV V	
3 PLC ± -		CUSTOMER DRAWING		
4 PLC ± -				
ANGLES ± -				
FINISH				
MATERIAL				
TUBING: 1				
SLEEVE: 2				