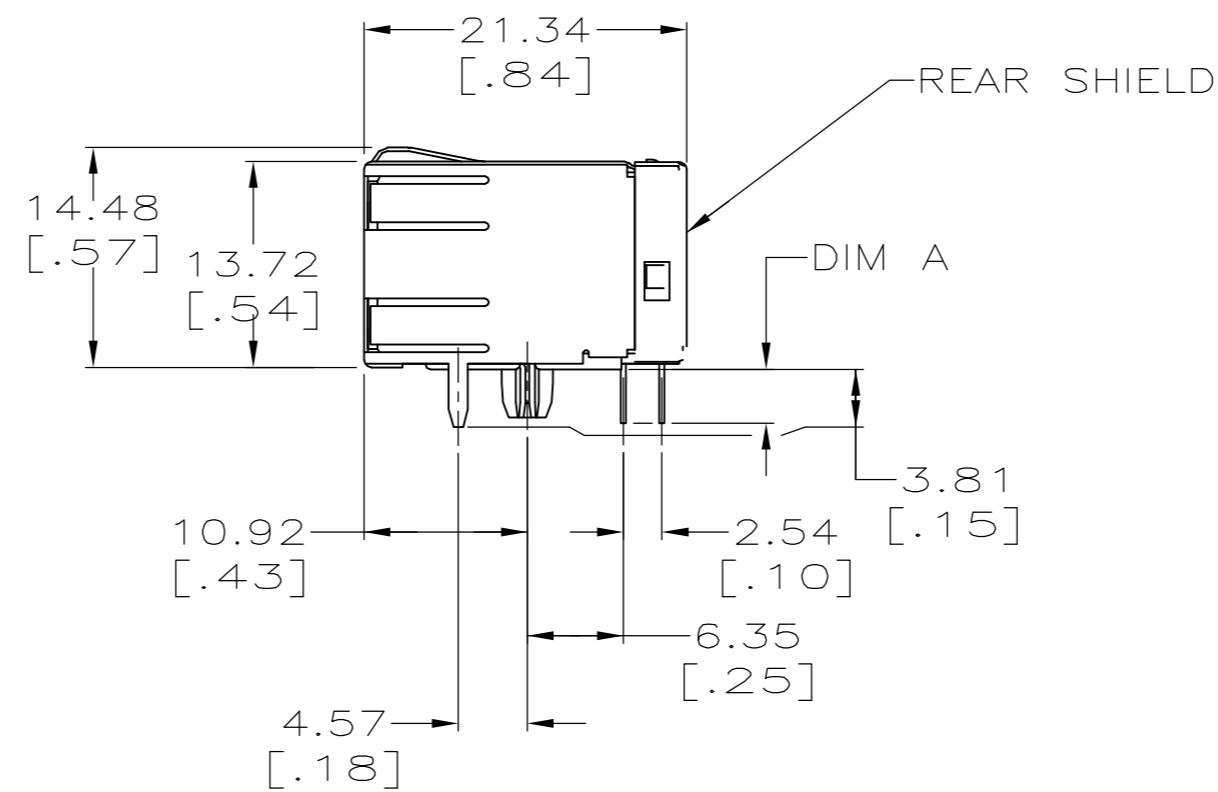
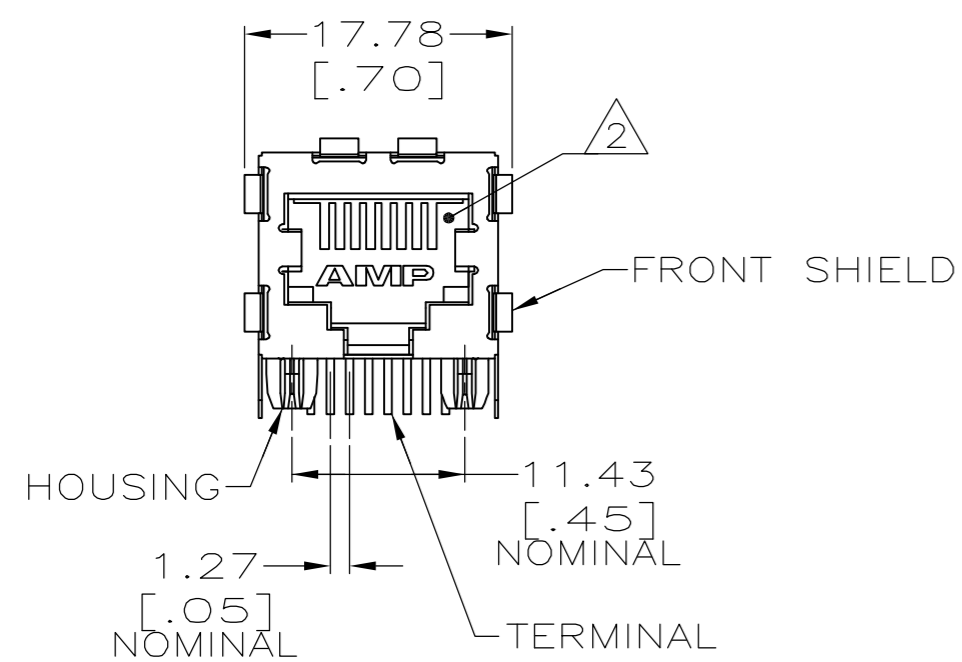


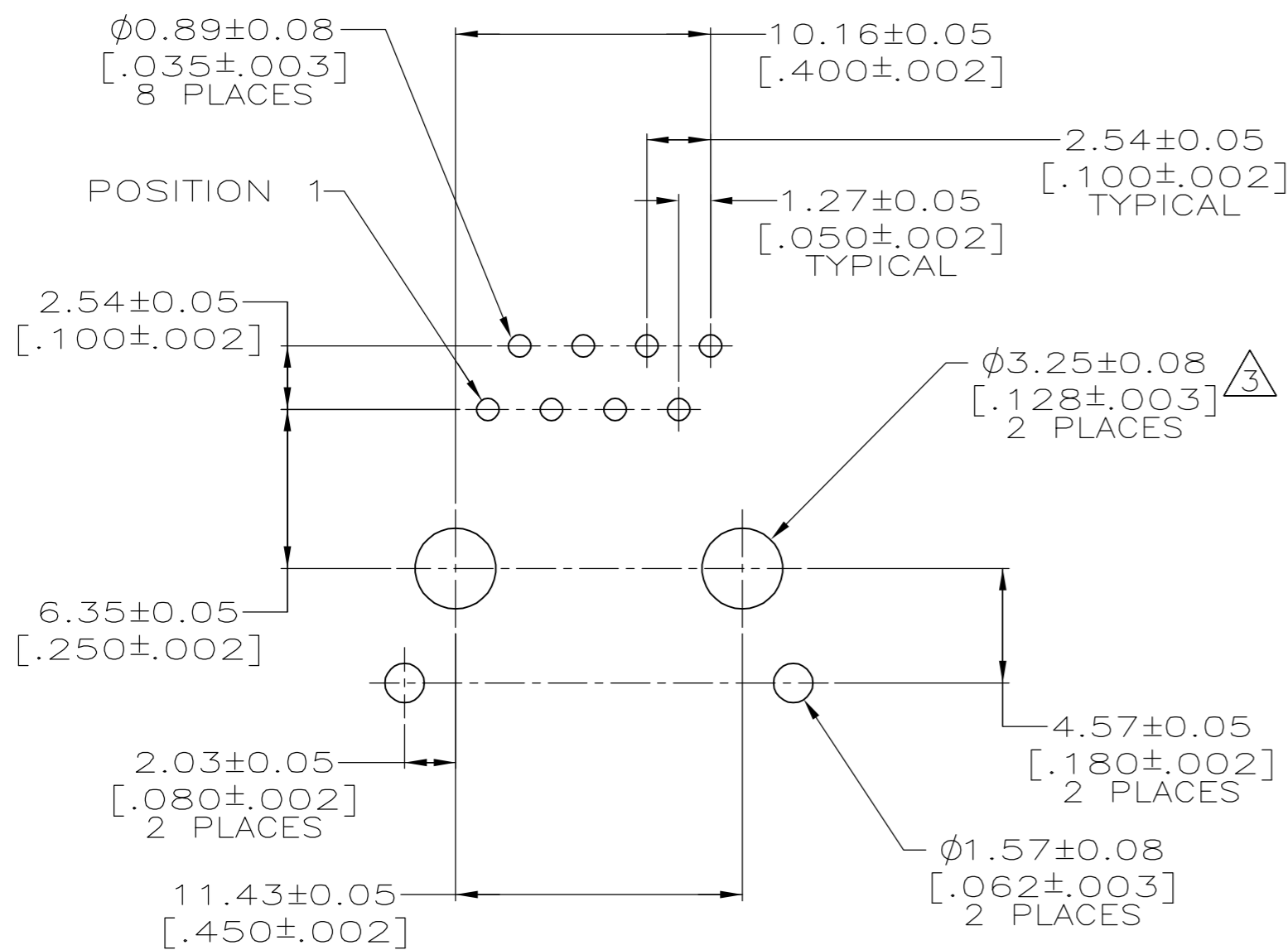
LOC	DIST	REVISIONS			
P	LTR	DESCRIPTION	DATE	DWN	APVD
AA	22	REV PER EC 0S11-0201-04	06JUN2005	JA	SF



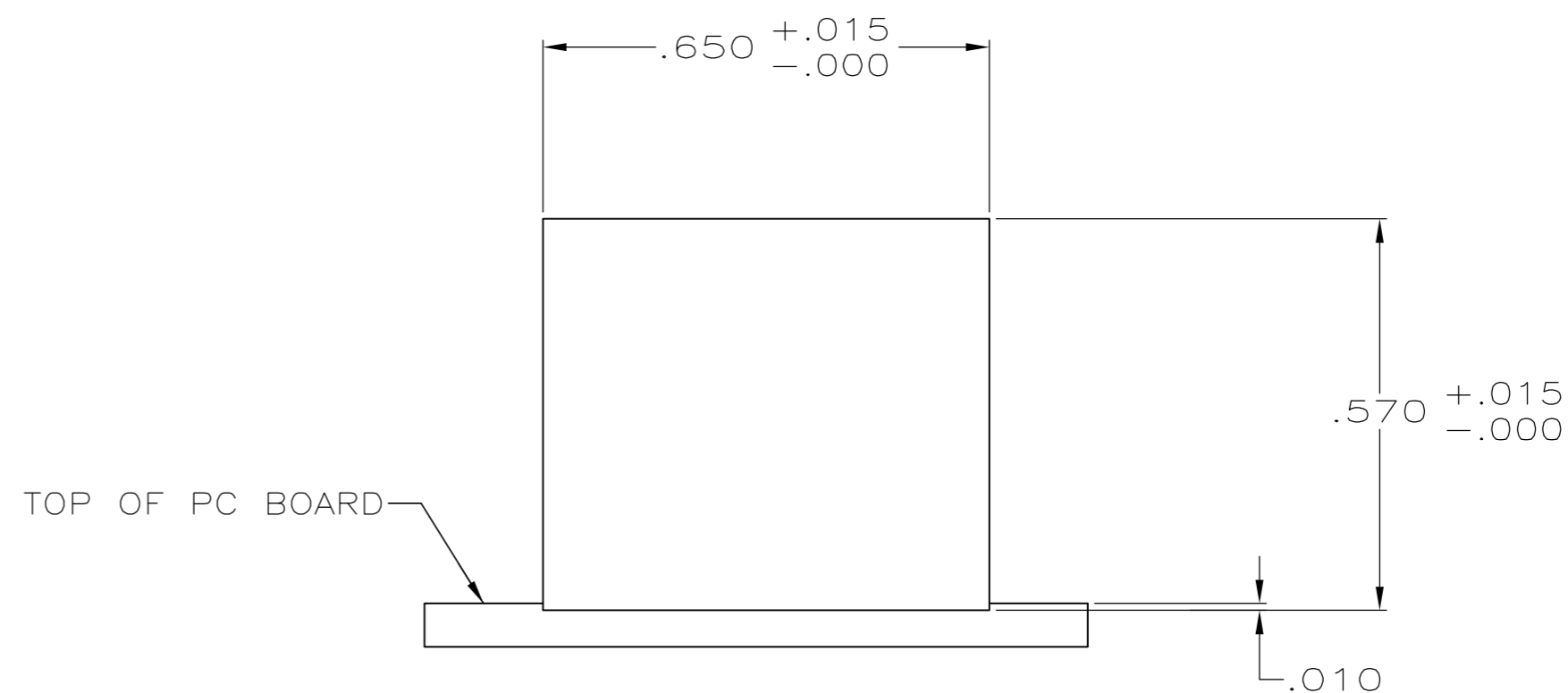
⚠ MATERIAL: HOUSING – NYLON, BLACK, IR REFLOW COMPATIBLE, UL 94V-0.
 TERMINALS – 0.33[.013] THICK PHOS BRONZE PLATED WITH 1.27 μ m[.000050] MINIMUM THICK HARD GOLD IN LOCALIZED AREA AND 3.81 μ m [0.000150] MINIMUM THICK MATTE TIN IN SOLDER AREA OVER 1.27 μ m[.000050] MINIMUM THICK NICKEL UNDERPLATE.
 SHIELDS – 0.25[.010] THICK COPPER ALLOY PLATED WITH 2.03 μ m[.000080] MINIMUM BRIGHT TIN OVER 1.27 μ m[.000050] MINIMUM NICKEL.

⚠ JACK CAVITY CONFORMS TO FCC RULES AND REGULATIONS, PART 68 SUBPART F.

⚠ USE #30 DRILL BIT OR 3.25mm DRILL BIT WHEN PRODUCING THESE PCB HOLES.



SUGGESTED PC BOARD LAYOUT
 COMPONENT SIDE (TOP)
 SCALE 4:1



SUGGESTED PANEL CUTOUT
 SCALE 4:1

2.54 [.100]	5406216-2
3.56 [.140]	5406216-1
DIM A	PART NUMBER

THIS DRAWING IS A CONTROLLED DOCUMENT.		DWN J. ALCORTA - DOCK5 06JUN2005	Tyco Electronics Corporation Harrisburg, PA 17105-3608	
DIMENSIONS: mm[inches]		CHK J. WESTMAN 06JUN2005	NAME S. FLICKINGER	
TOLERANCES UNLESS OTHERWISE SPECIFIED:		APVD S. FLICKINGER 06JUN2005	PRODUCT SPEC 108-1163	
0 PLC ± -	1 PLC ± -	APPLICATION SPEC 114-2048	SIZE A2	CAGE CODE 00779
2 PLC ± 0.25[.01]	3 PLC ± 0.13[.005]	WEIGHT -	SCALE 2:1	SHEET 1 OF 1
4 PLC ± -	ANGLES ± -	CUSTOMER DRAWING	REV A	RESTRICTED TO -
MATERIAL	FINISH	DRAWING NO C=5406216		