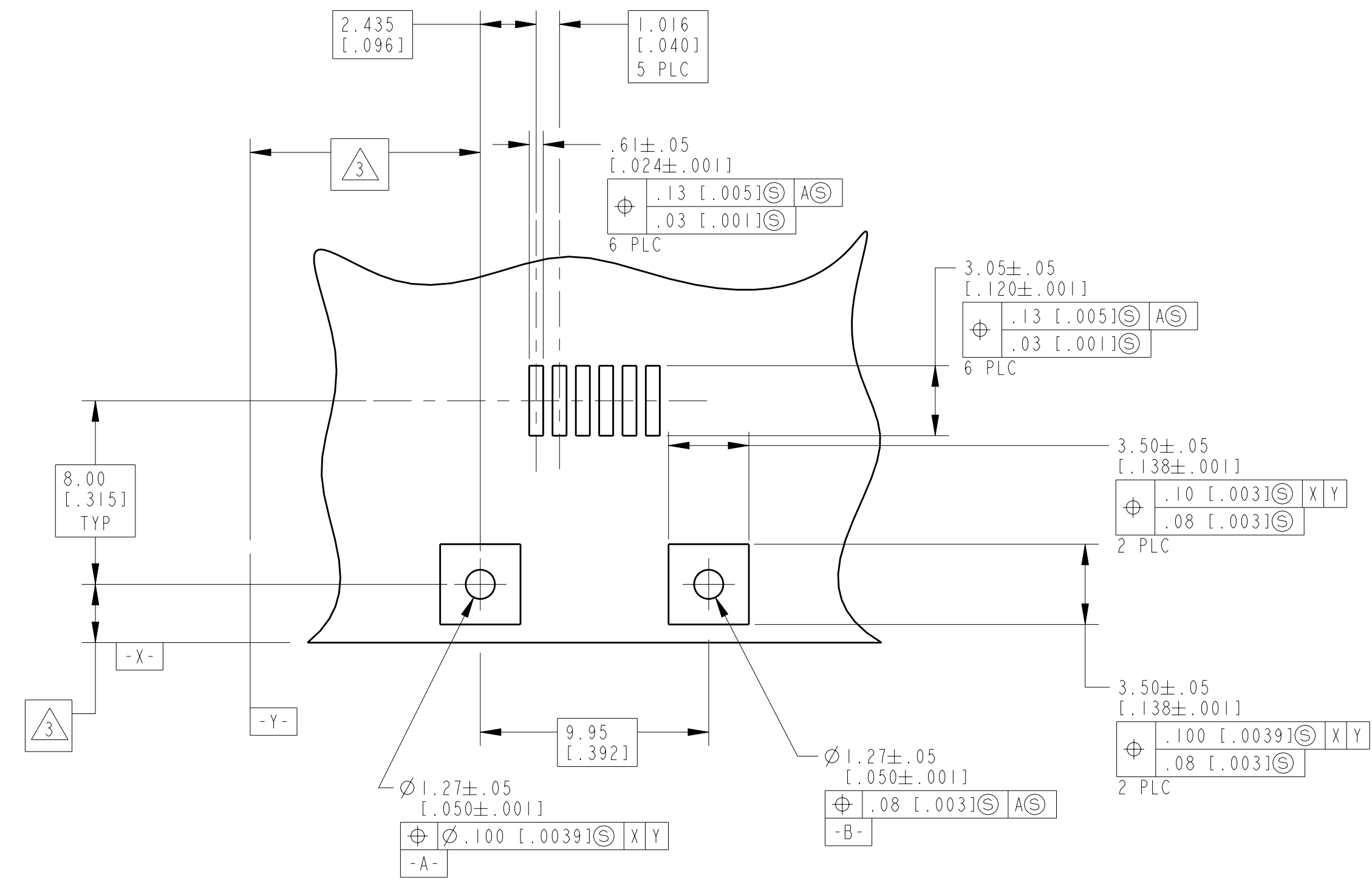
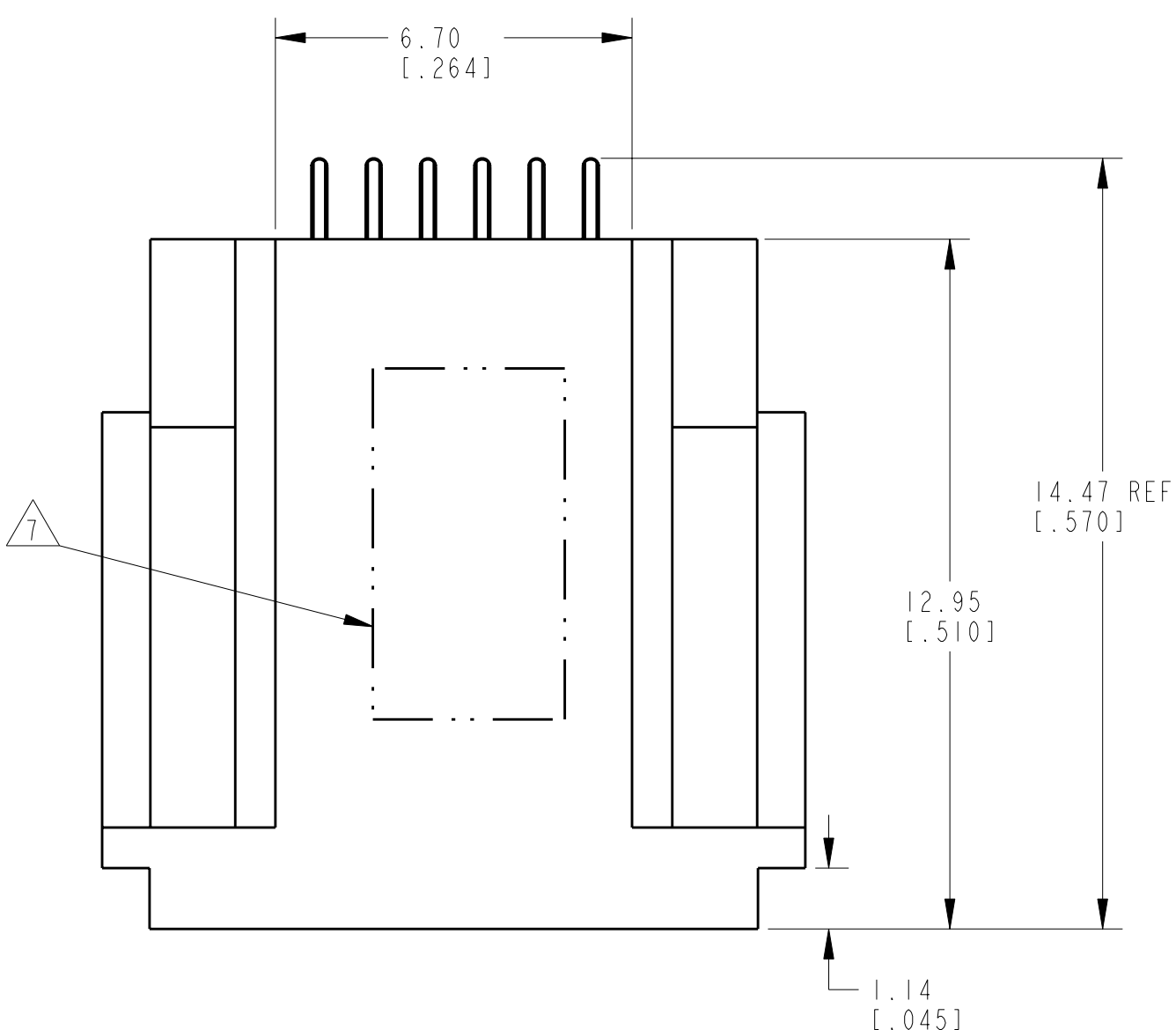
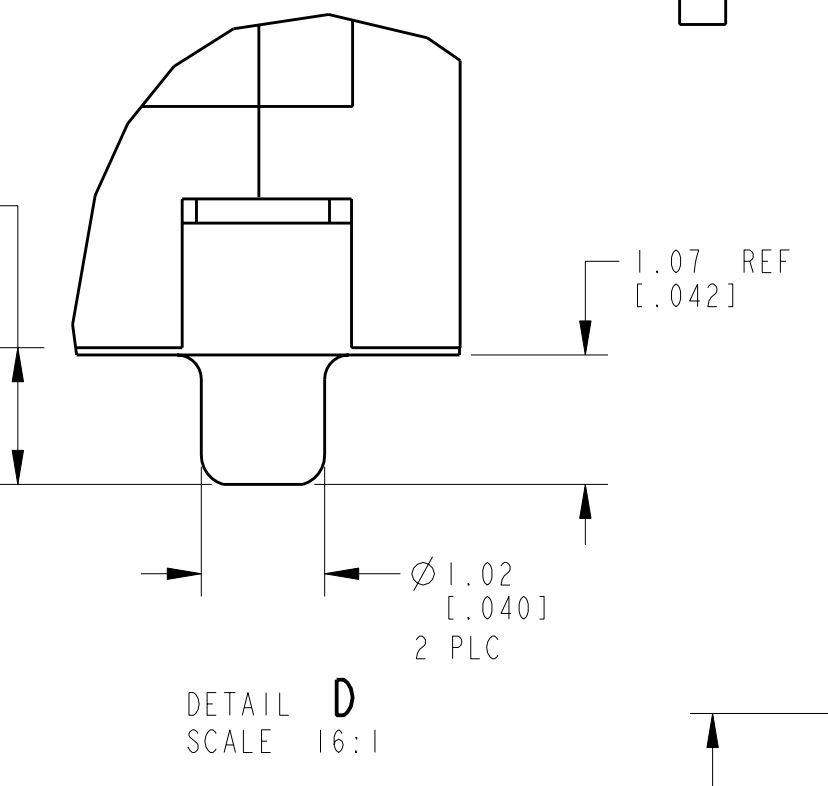
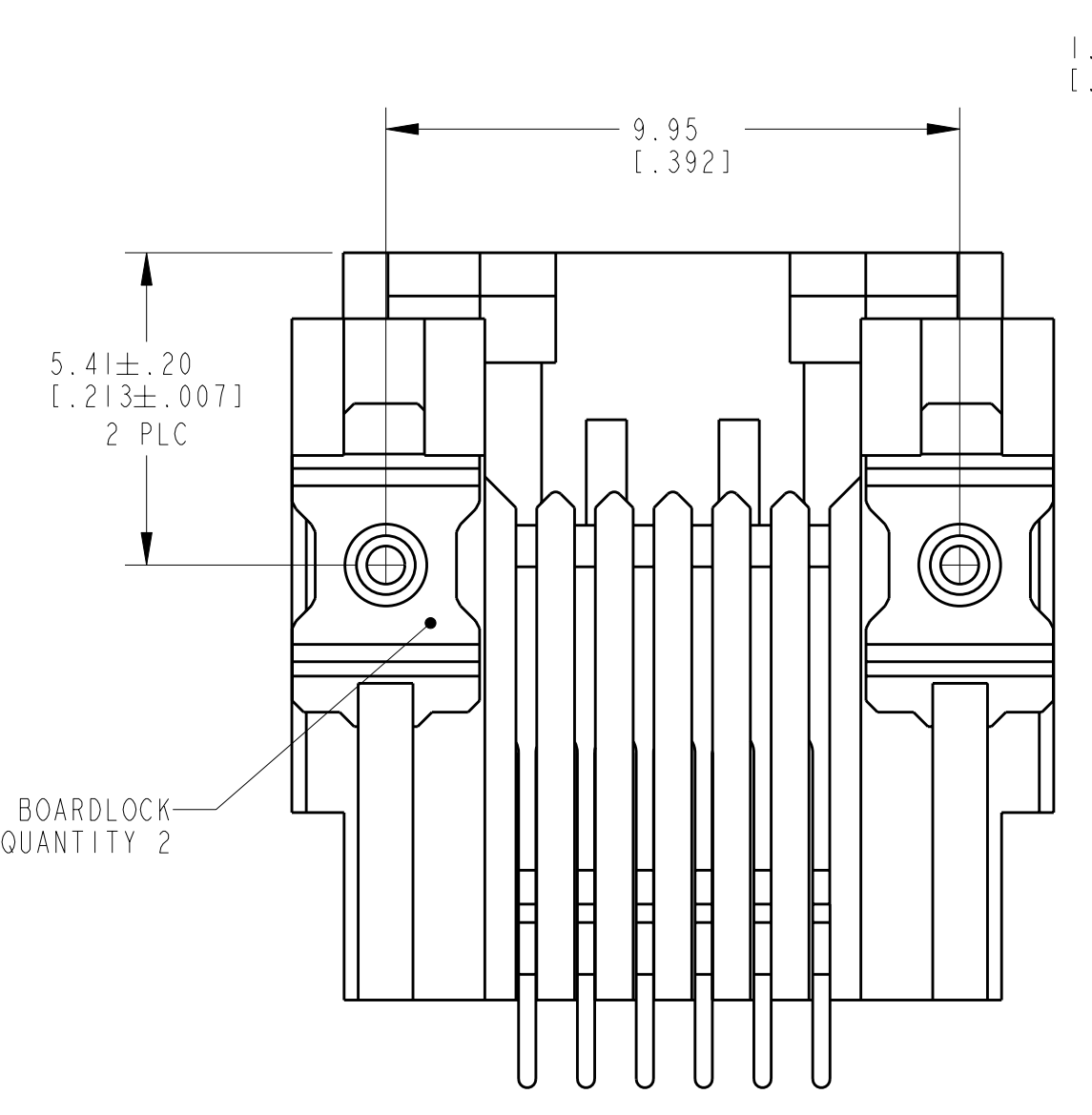
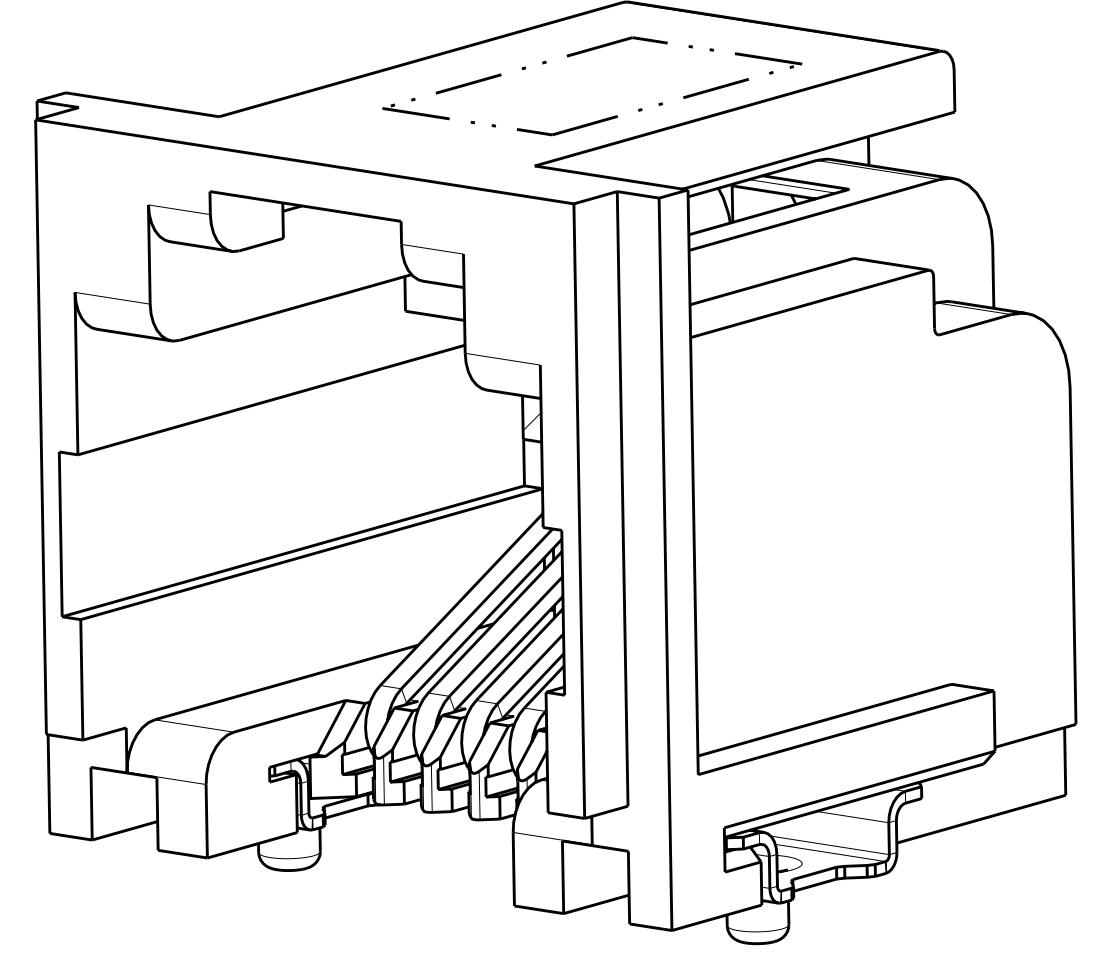
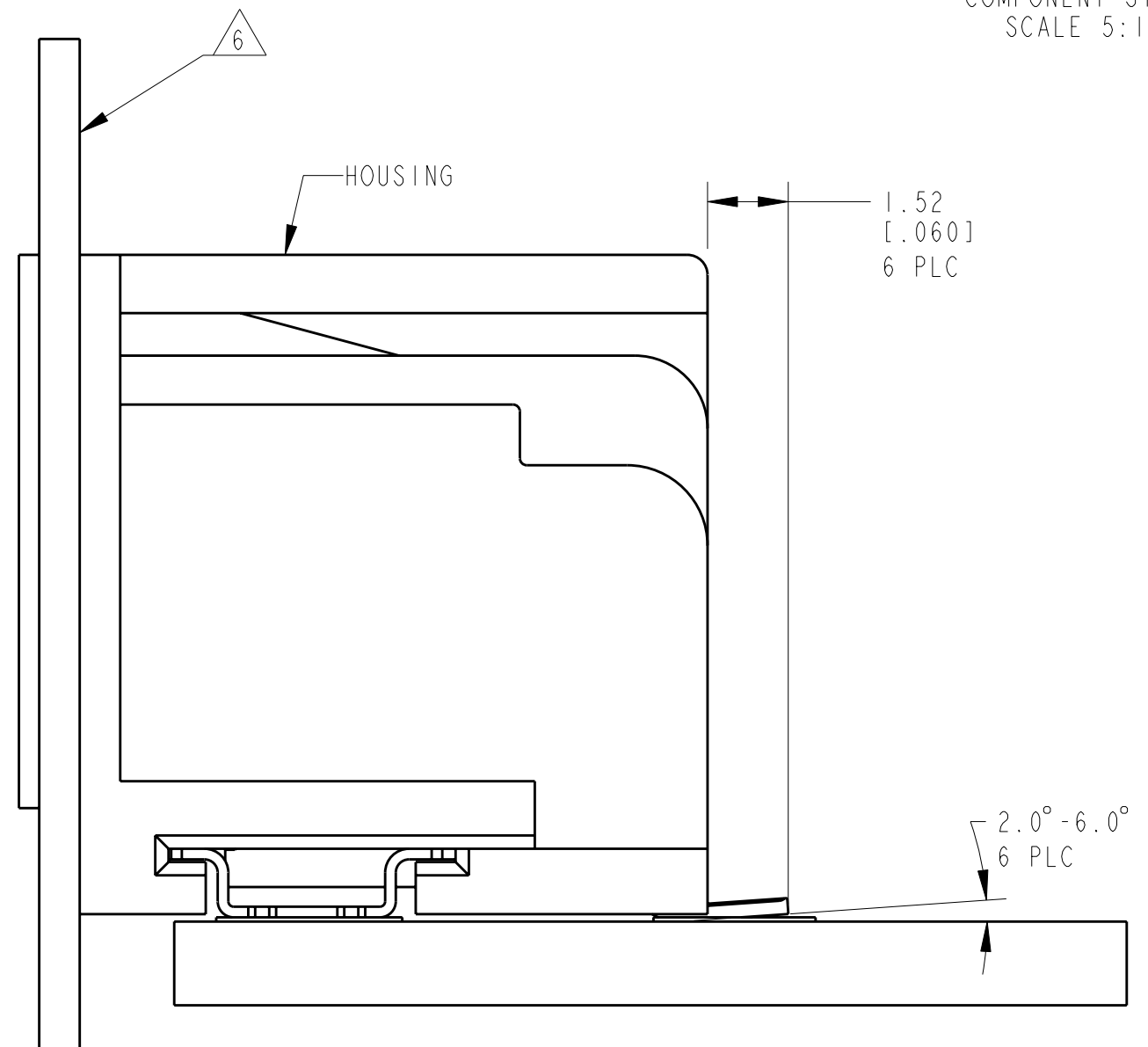
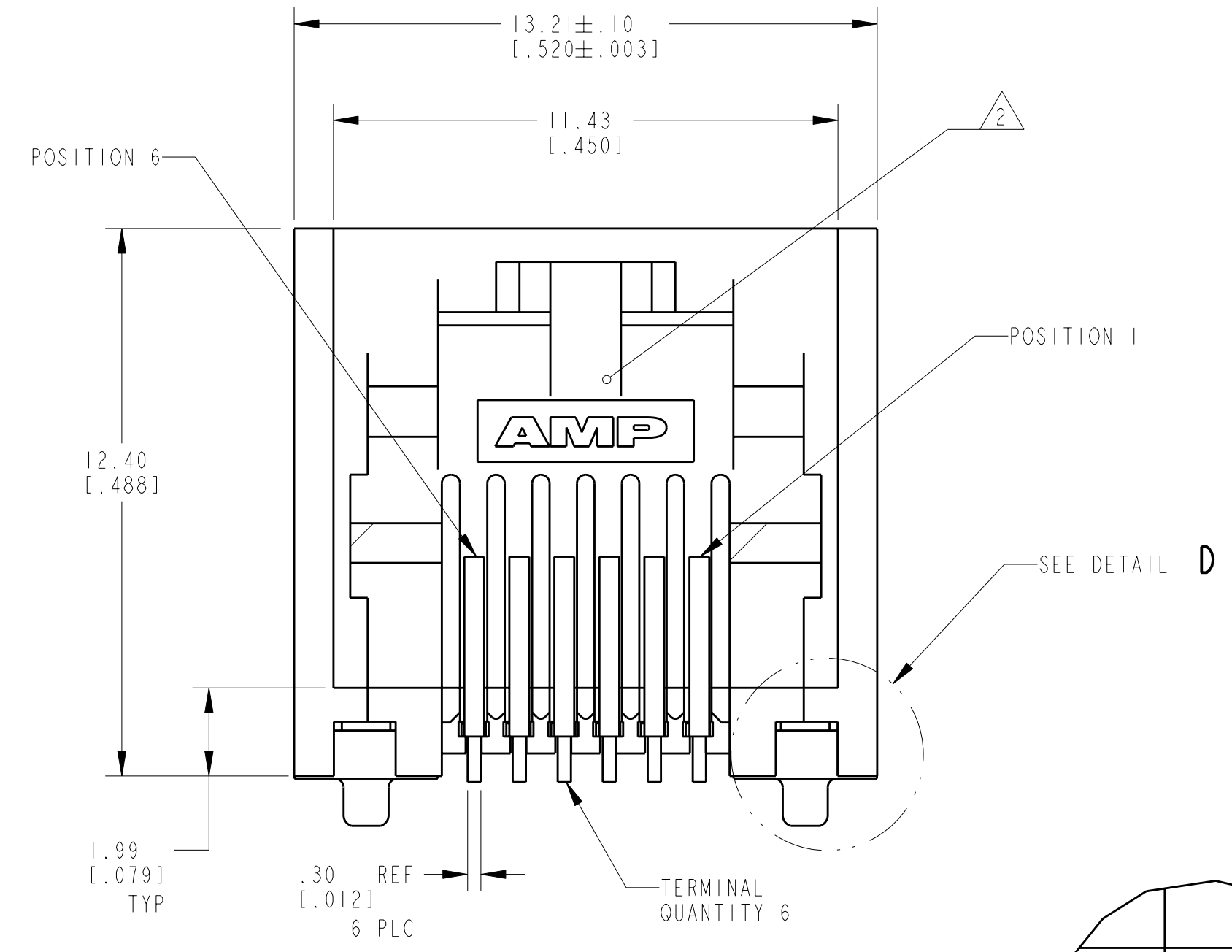


LOC	DIST	REV	DATE	BY	APPD
AA	22	A	28JUL2005	GA	SF
		B	10APR2007	LAM	PR

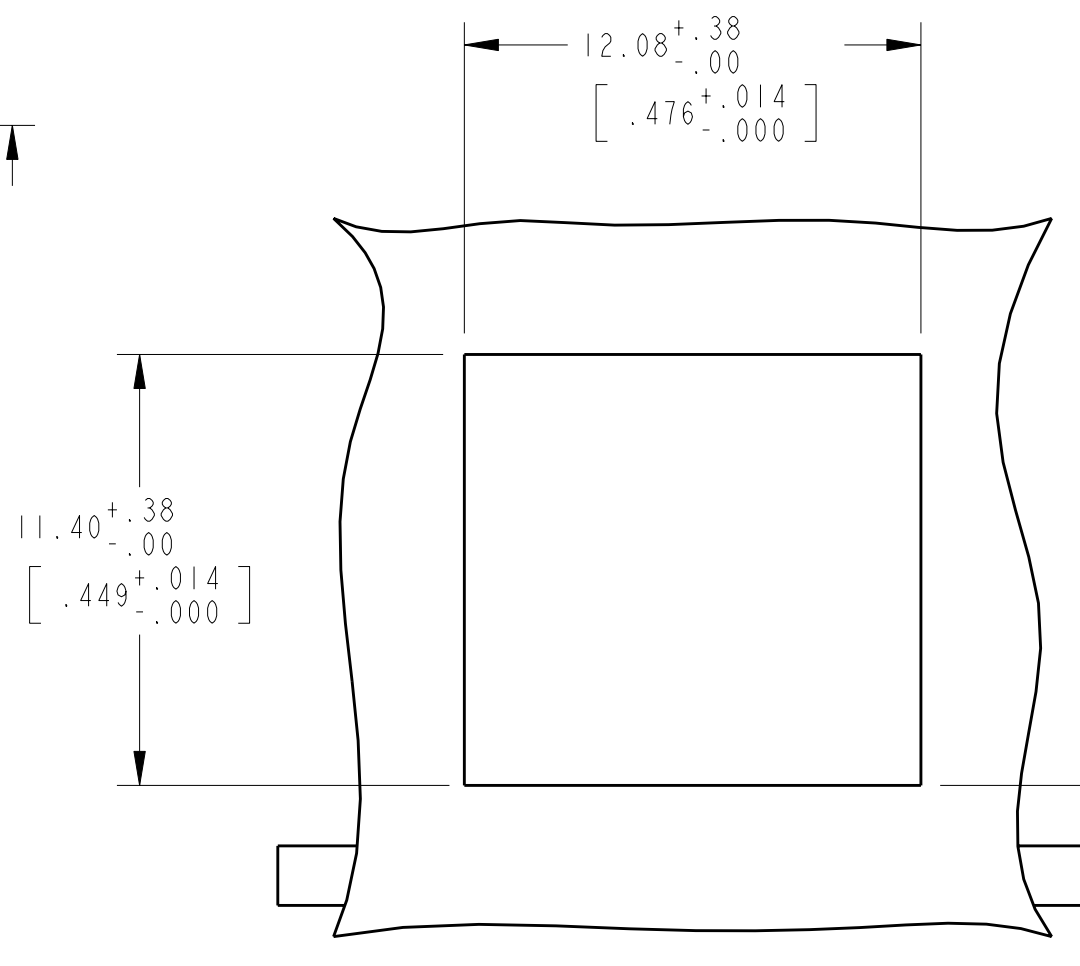
- REVISIONS
- △ MATERIAL: HOUSING - HIGH TEMPERATURE THERMOPLASTIC, COLOR - GRAY
 TERMINALS - 0.31[.012] THICK COPPER ALLOY PLATED WITH 1.27µm[.000050] MINIMUM GOLD IN LOCALIZED GOLD PLATE AREA, 2.5 µm[.000100] MINIMUM MATTE TIN ON TERMINATION END, BOTH OVER 1.27µm[.000050] MINIMUM NICKEL OVER ENTIRE TERMINAL.
 BOARDLOCK - PHOS BRONZE, 1/2 HARD, 3.81µm[.000150] MINIMUM MATTE TIN OVER 1.27µm[.000050] MINIMUM NICKEL ON TERMINAL END.
- △ JACK CAVITY CONFORMS TO FCC 47 RULES AND REGULATIONS, PART 68 SUBPART F.
- △ DATUM ESTABLISHED BY CUSTOMER.
- △ PACKAGING TAPE AND REEL: (PER EIA 481 SPEC)
 32mm WIDE TAPE
 24mm POCKET PITCH
 560mm REEL DIA
 600 PIECES PER REEL
- △ PACKAGING TAPE AND REEL: (PER EIA 481 SPEC)
 32mm WIDE TAPE
 24mm POCKET PITCH
 330mm REEL DIA
 200 PIECES PER REEL
- △ CONNECTOR SHOULD BE POSITIONED THROUGH PANEL CUTOUT AS SHOWN TO SUPPORT TOP OF MODULAR JACK FOR STRAIN RELIEF
- △ MANUFACTURING DATE CODE LOCATED APPROXIMATELY AS SHOWN. FIRST 2 DIGITS ARE YEAR, SECOND 2 DIGITS ARE WORK WEEK, AND LAST DIGIT IS THE DAY OF THE WEEK



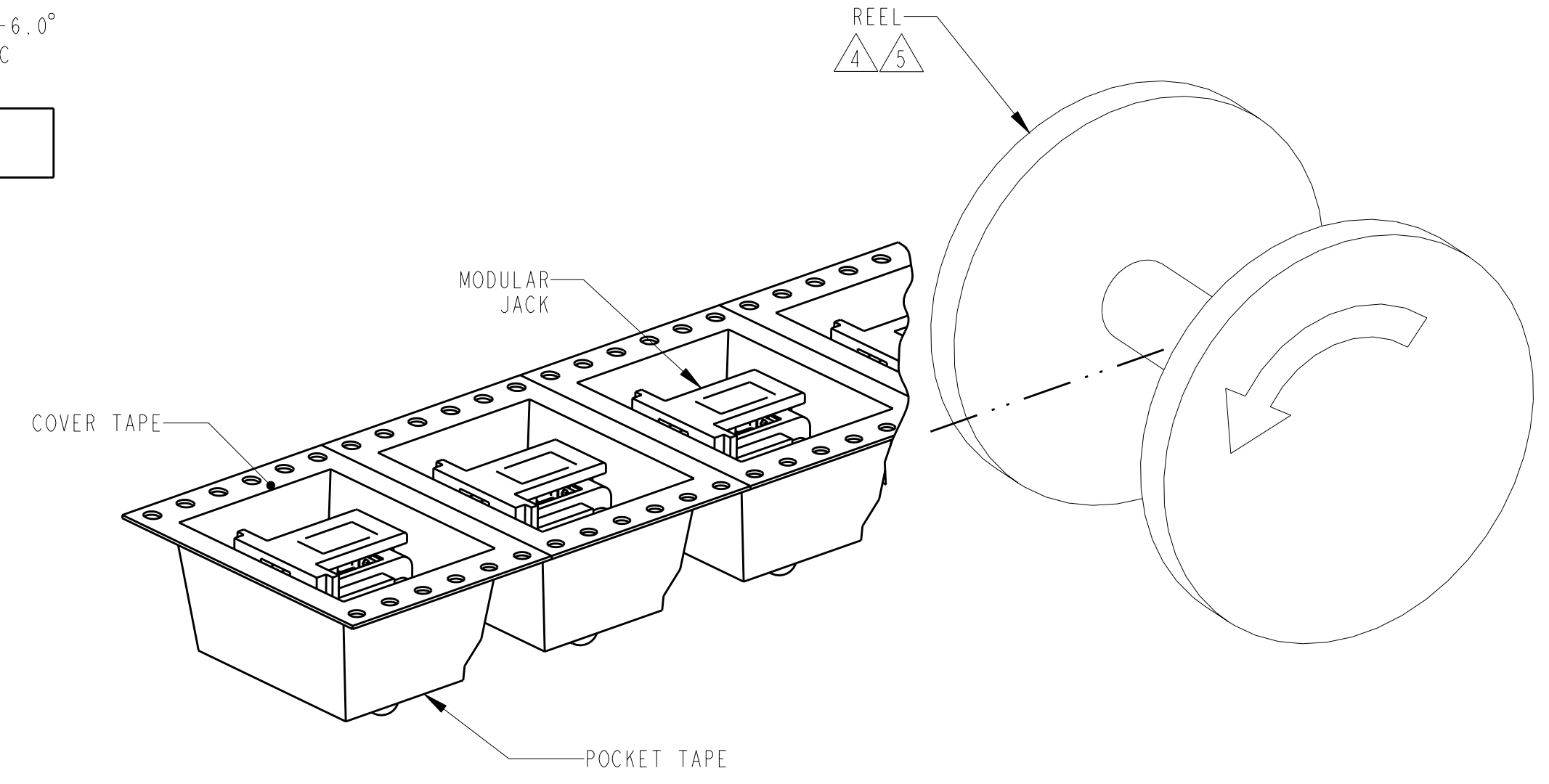
RECOMMENDED PRINTED CIRCUIT BOARD LAYOUT
 COMPONENT SIDE
 SCALE 5:1



DETAIL D
 SCALE 16:1



RECOMMENDED PANEL CUTOUT
 SCALE 5:1



MARKING	PACKAGING	PART NUMBER
NONE	△ 5	5406514-3
△ 7	△ 5	5406514-2
△ 7	△ 4	5406514-1

DIMENSIONS: mm [INCHES] TOLERANCES UNLESS OTHERWISE SPECIFIED: 9 PLC ± 8 PLC ± 5 PLC ± 4 PLC ± ANGLES ±#1		DWN: 28JUL2005 GS: ATTADIA - 0065 CHK: J. WESTMAN APVD: S. FLICKINGER PRODUCT SPEC: 108-1689 APPLICATION SPEC: 114-6040 WEIGHT: .95 GRAMS CUSTOMER DRAWING		AMP Incorporated Harrisburg, PA 17105-3608 NAME: MODULAR JACK ASSEMBLY, 6/6 POSITION, SURFACE MOUNT, RIGHT ANGLE, WITH INWARD BOARDLOCKS SIZE: CAGE CODE DRAWING NO: 00779 RESTRICTED TO:	
MATERIAL: SEE NOTE 1 FINISH: SEE NOTE 1		SCALE: 8:1 SHEET: 1 OF 1 REV: B		TYCO Electronics AMP Incorporated Harrisburg, PA 17105-3608 NAME: MODULAR JACK ASSEMBLY, 6/6 POSITION, SURFACE MOUNT, RIGHT ANGLE, WITH INWARD BOARDLOCKS SIZE: CAGE CODE DRAWING NO: 00779 RESTRICTED TO:	