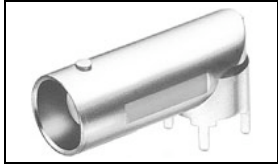


## 5413558-2 Product Details



**5413558-2**

TE Internal Number: 5413558-2



### BNC RF Connectors

 Always EU RoHS/ELV Compliant (Statement of Compliance)

#### Product Highlights:

- Connector - RF
- Jack
- Connector Style = Jack
- Applies To Printed Circuit Board
- PCB Mounting Orientation = Right Angle

### Documentation & Additional Information

#### Product Drawings:

- [JACK, RIGHT ANGLE, PCB, 75 OHM, SERIES BNC](#) (PDF, English)

#### Catalog Pages/Data Sheets:

- [BNC Connectors](#) (PDF, English)

#### Product Specifications:

- None Available

#### Application Specifications:

- None Available

#### Instruction Sheets:

- None Available

#### CAD Files: ([CAD Format & Compression Information](#))

- [2D Drawing](#) (DXF, Version A)
- [3D Model](#) (IGES, Version A)
- [3D Model](#) (STEP, Version A)

#### Related Products:

- [Tooling](#)

### Product Features (Please use the Product Drawing for all design activity)

#### Product Type Features:

- [Product Type](#) = Connector - RF
- Gender = Jack
- [PCB Mounting Orientation](#) = Right Angle
- [Grade](#) = Commercial
- [PCB Mount Retention](#) = Without
- [Sealed](#) = No
- [Isolated](#) = No
- [Dielectric Material](#) = Fluoropolymer
- [Solder Terminal](#) = Without

#### Mechanical Attachment:

- [Surface Mountable](#) = No
- [Hardware Included](#) = No
- [Panel Mount Retention](#) = Without

#### Electrical Characteristics:

- [Connector Impedance](#) ( $\Omega$ ) = 75

#### Dimensions:

- [PCB Height](#) (mm [in]) = 10.97 [0.432]

#### Body Features:

- [Body Material](#) = Zinc
- [Body Plating](#) = Tin
- [Body Insulation](#) = Without
- [Polarized](#) = No

#### Contact Features:

- [Center Contact Material](#) = Beryllium Copper
- [Center Contact Plating](#) = Gold (50)

#### Housing Features:

- [Connector Style](#) = Jack

#### Configuration Features:

- [Number of Ports](#) = 1

#### Industry Standards:

- [Government/Industry Qualification](#) = No
- [RoHS/ELV Compliance](#) = RoHS compliant, ELV compliant
- [Lead Free Solder Processes](#) = Wave solder capable to 260°C, Wave solder capable to 240°C, Wave solder capable to 265°C
- [RoHS/ELV Compliance History](#) = Always was RoHS compliant

#### Conditions for Usage:

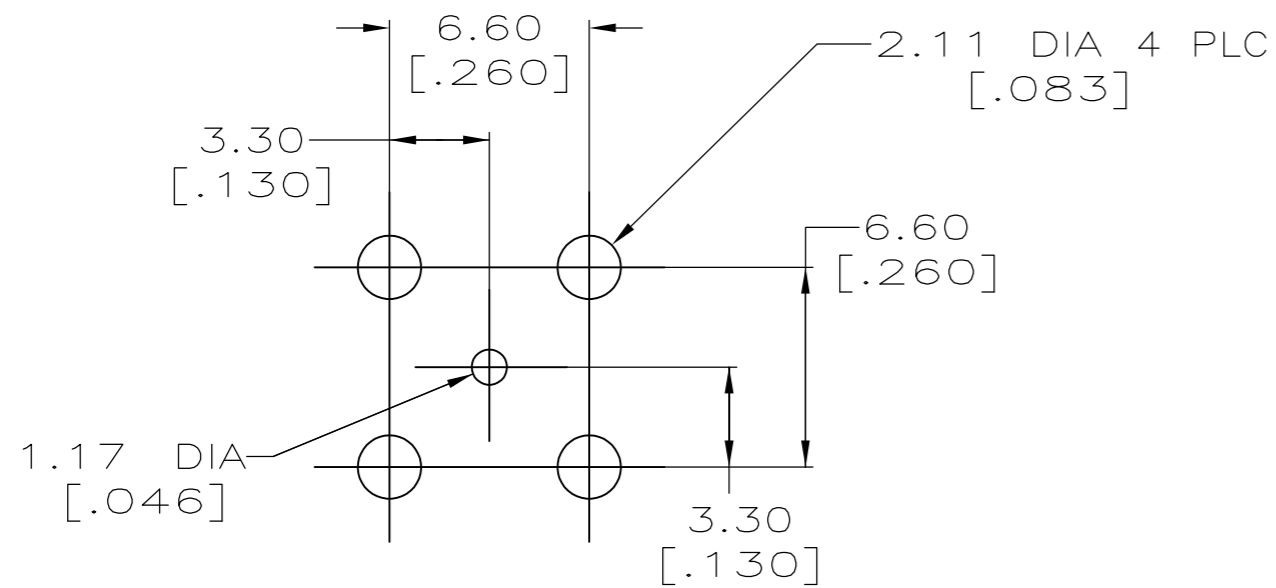
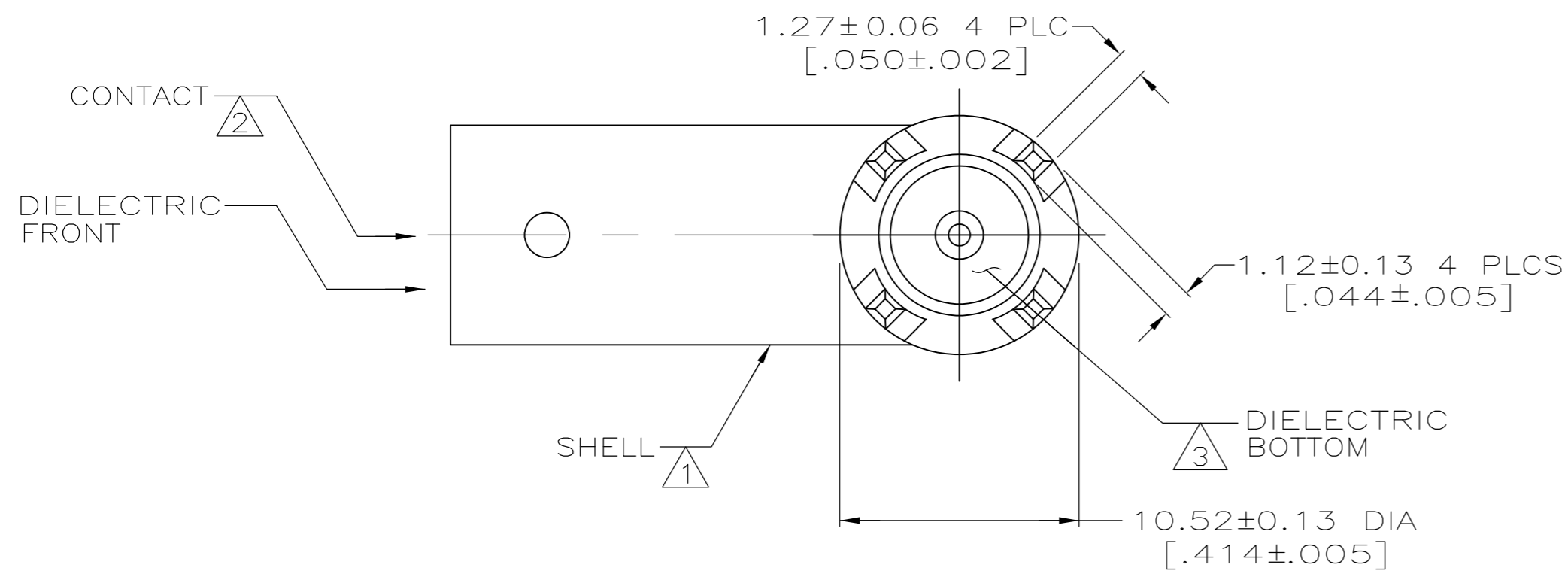
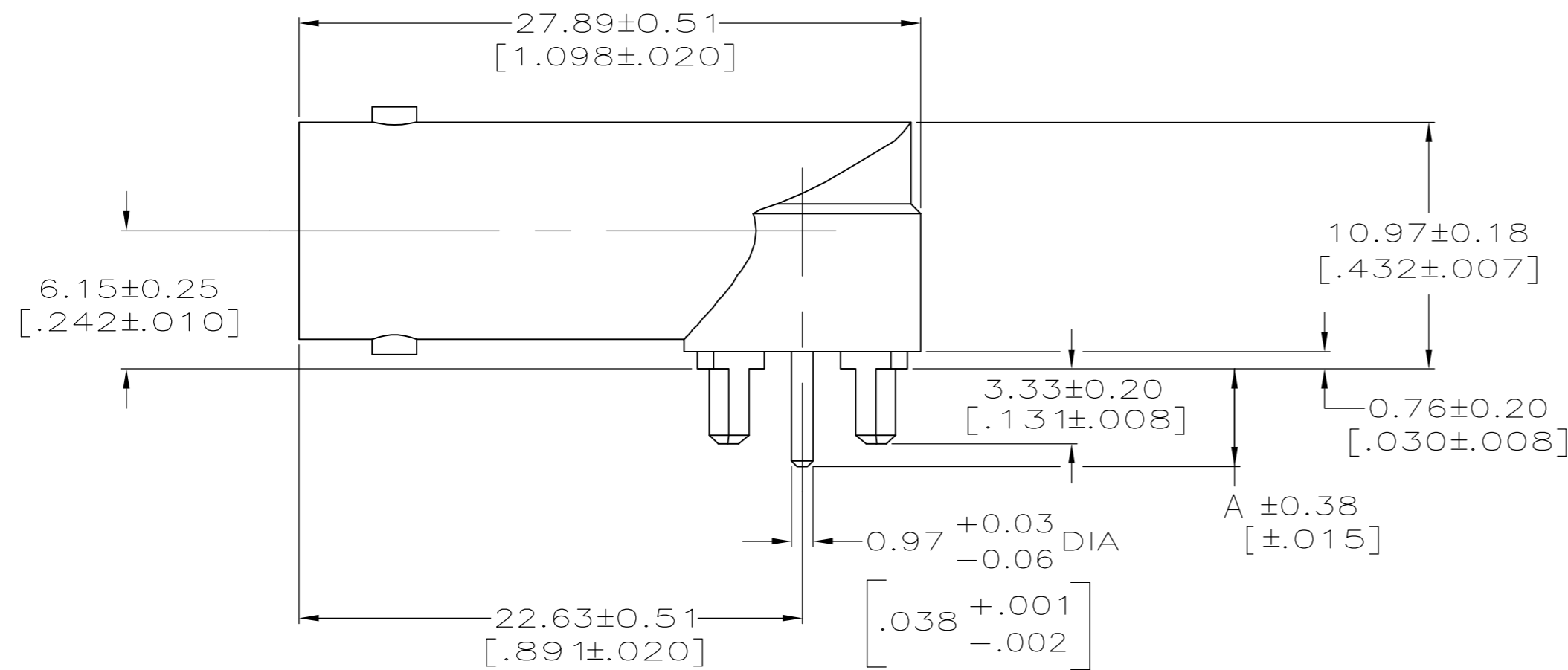
- [Applies To](#) = Printed Circuit Board

#### Other:

- [Brand](#) = TE Connectivity

THIS DRAWING IS UNPUBLISHED. RELEASED FOR PUBLICATION  
 © COPYRIGHT - By - ALL RIGHTS RESERVED.

LOC	DIST	REVISIONS					
		P	LTR	DESCRIPTION	DATE	DWN	APVD
AJ	00		B1	REVISED PER ECO-11-005030	11MAR11	RK	HMR



PCB CONFIGURATION

- 1 ZINC PER ASTM B 86.
- 2 BERYLLIUM COPPER PER ASTM B 196.
- 3 PTFE PER ASTM B 1710.
- 4 NICKEL PLATE PER QQ-N-290, 3.81 μm [.000150] MINIMUM THICK.
- 5 TIN PLATE PER ASTM B 545, 3.04 μm [.000120] MINIMUM THICK, OVER NICKEL PLATE PER MIL-C-26074, 7.62 μm [.000300] MINIMUM THICK.
- 6 GOLD PLATE PER ASTM B 488, 1.27 μm [.000050] MINIMUM THICK.
- 7. INTERFACE PER MIL-C-39012.
- 8 GOLD PLATE PER ASTM B 488, 0.76 μm [.000030] MINIMUM THICK.
- 9 POLYMETHYLPENTENE: GENERAL PURPOSE.

9	4.34 [.171]	8	4	5413558-5
9	3.33 [.131]	6	4	5413558-3
3	4.34 [.171]	6	5	5413558-2
9	4.34 [.171]	6	4	5413558-1
FRONT DIELECTRIC MATERIAL	A	CONTACT FINISH	SHELL FINISH	PART NUMBER

THIS DRAWING IS A CONTROLLED DOCUMENT.		DWN L. VARELA - DOCK5 22APR2005		
		CHK J. HAVENER 22APR2005		
		APVD J. LIPPERT 22APR2005	NAME	
		PRODUCT SPEC	JACK, RIGHT ANGLE, PCB, 75 OHM, SERIES BNC	
		APPLICATION SPEC	108-12078	
		WEIGHT	SIZE A2	CAGE CODE 00779
		FINISH	DRAWING NO	RESTRICTED TO
SEE NOTES 1-3		SEE NOTES 4-6, 8-9	C=5413558	
CUSTOMER DRAWING			SCALE 4:1	SHEET 1 of 1
			REV B1	