



**Have a Question?**  
 Chat with a Product Information Specialist

What can we help you find?

[Products](#) [Industries](#) [Resources](#) [About TE](#) [My Account](#) [Innovation](#) [Support Center](#)

**5413779-3 Product Details**

[Share](#) [Print](#) [Email](#)



**5413779-3**

TE Internal Number: 5413779-3

Active

[View 3D PDF](#)

**BNC RF Connectors**

Always EU RoHS/ELV Compliant (Statement of Compliance)

**Product Highlights:**

- Connector - RF
- Jack
- Connector Style = Jack
- Applies To Coaxial Cable
- Coaxial Cable Termination Type = Crimp

[View all Features](#)

**Quick Links**

- ▶ [Pricing & Availability](#)
- ▶ [Search for Tooling](#)
- ▶ [Product Feature Selector](#)
- ▶ [Contact Us About This Product](#)

[Add to My Part List](#) [Request Sample](#) [Find Similar Products](#) [Buy Product](#)

**Documentation & Additional Information**

**Product Drawings:**

- [JACK, HEX CRIMP, COMMERCIAL BNC](#) (PDF, English)

**Catalog Pages/Data Sheets:**

- [BNC Connectors](#) (PDF, English)

**Product Specifications:**

- None Available

**Application Specifications:**

- None Available

**Instruction Sheets:**

- None Available

**CAD Files:** ([CAD Format & Compression Information](#))

- [2D Drawing](#) (DXF, Version 0)
- [3D Model](#) (IGES, Version 0)
- [3D Model](#) (STEP, Version 0)

[List all Documents](#)

**Related Products:**

- [Tooling](#)

**Product Features (Please use the Product Drawing for all design activity)**

**Product Type Features:**

- [Product Type](#) = Connector - RF
- [Gender](#) = Jack
- [Grade](#) = Commercial
- [Sealed](#) = No
- [Isolated](#) = No
- [Dielectric Material](#) = Polymethylpentene
- [Coupling Nut Material](#) = Brass
- [Solder Terminal](#) = Without

**Mechanical Attachment:**

- [Surface Mountable](#) = No
- [Hardware Included](#) = No
- [Panel Mount Retention](#) = Without

**Electrical Characteristics:**

- [Connector Impedance \(Ω\)](#) = 50

**Termination Features:**

- [Coaxial Cable Termination Type](#) = Crimp
- [Crimp Type](#) = Hex

**Body Features:**

- [Body Style](#) = Straight
- [Body Plating](#) = Nickel
- [Body Insulation](#) = Without
- [Polarized](#) = No

**Contact Features:**

- [Center Contact Material](#) = Beryllium Copper
- [Center Contact Plating](#) = Gold

**Housing Features:**

- [Connector Style](#) = Jack

**Configuration Features:**

- [Coaxial Cable Type \(RG/U or Mfg.\)](#) = 174, 188, 316
- [Number of Ports](#) = 1

**Industry Standards:**

- [Government/Industry Qualification](#) = No
- [RoHS/ELV Compliance](#) = RoHS compliant, ELV compliant
- [Lead Free Solder Processes](#) = Not relevant for lead free process
- [RoHS/ELV Compliance History](#) = Always was RoHS compliant

**Conditions for Usage:**

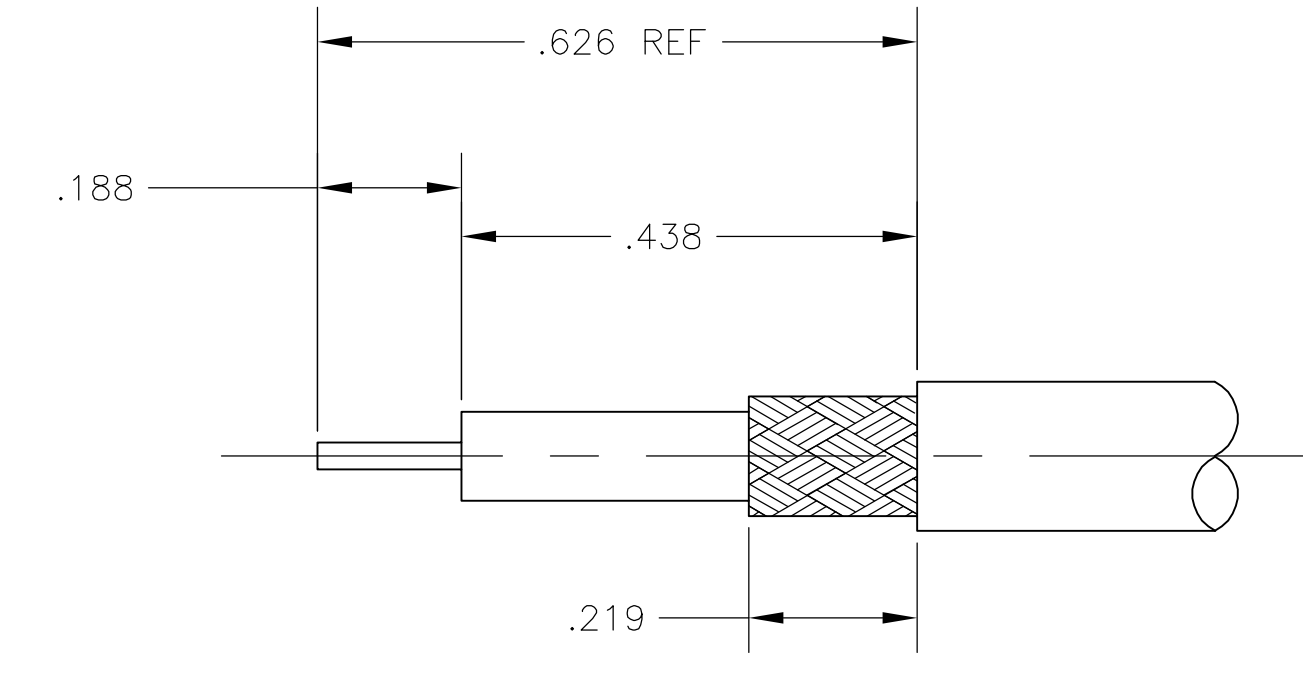
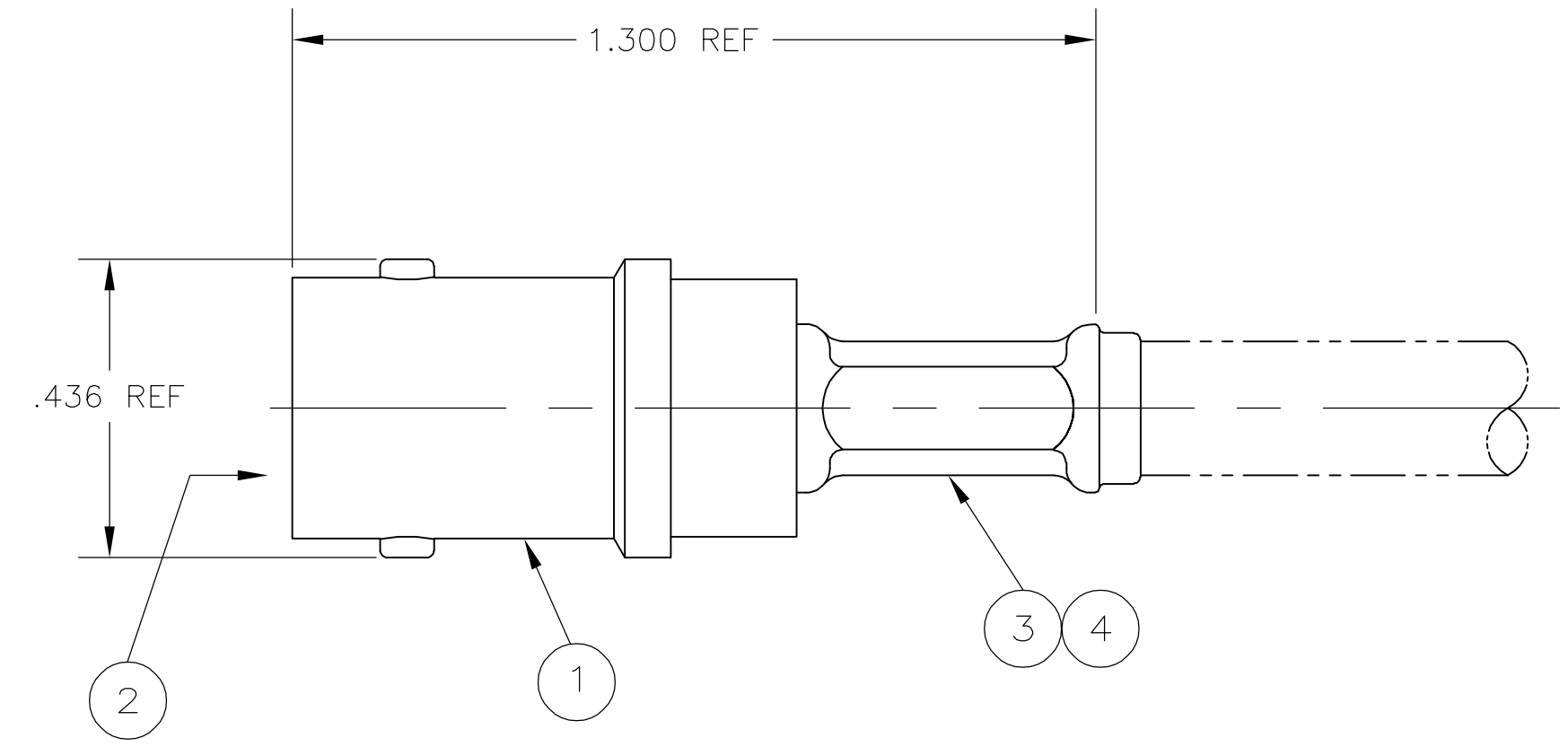
- [Applies To](#) = Coaxial Cable

**Other:**

- [Brand](#) = AMP

LOC	DIST	REVISIONS				
		REV	DESCRIPTION	DATE	DWN	APPV
AJ	17	0	PER EC 0514-0072-05	22APR2005	AF	JL

⚠ USE WITH PRO-CRIMPER 354940-1.  
 2. SEE INSTRUCTION SHEET 408-9778.



RECOMMENDED STRIP LENGTH

RG-179/U, 179A/U, 179B/U, 187/U & 187A/U	.068	.178	58436-3	21427-2	9-413658-0	2-413774-0	413780-3	5413779-4
RG-174/U, 188/U & 316/U	.068	.178	58436-3	21427-2	9-413658-0	1-413774-5	413780-3	5413779-3
FOR USE WITH CABLE	CONTACT CRIMP (HEX)	FERRULE CRIMP	DIE SET	TUBING QTY=1	FERRULE QTY=1	CONTACT QTY=1	JACK ASSEMBLY QTY=1	PART NUMBER

THIS DRAWING IS A CONTROLLED DOCUMENT.

DIMENSIONS: INCHES	TOLERANCES UNLESS OTHERWISE SPECIFIED:	DWN: A. FERNANDEZ-DOCKIS CHK: J. HAVENER APPV: J. LIPPERT	22APR2005 22APR2005 22APR2005	tyco Electronics	Tyco Electronics Corporation Harrisburg, Pa 17105-3608
	0 PLC ± - 1 PLC ± - 2 PLC ± - 3 PLC ± - 4 PLC ± - ANGLES ± - FINISH -	PRODUCT SPEC APPLICATION SPEC	NAME: J. LIPPERT	SIZE: A1 CAGE CODE: 00779 DRAWING NO: 5413779	RESTRICTED TO: -
MATERIAL: -	FINISH: -	WEIGHT: -	CUSTOMER DRAWING	SCALE: 4:1	SHEET 1 OF 1 REV 0