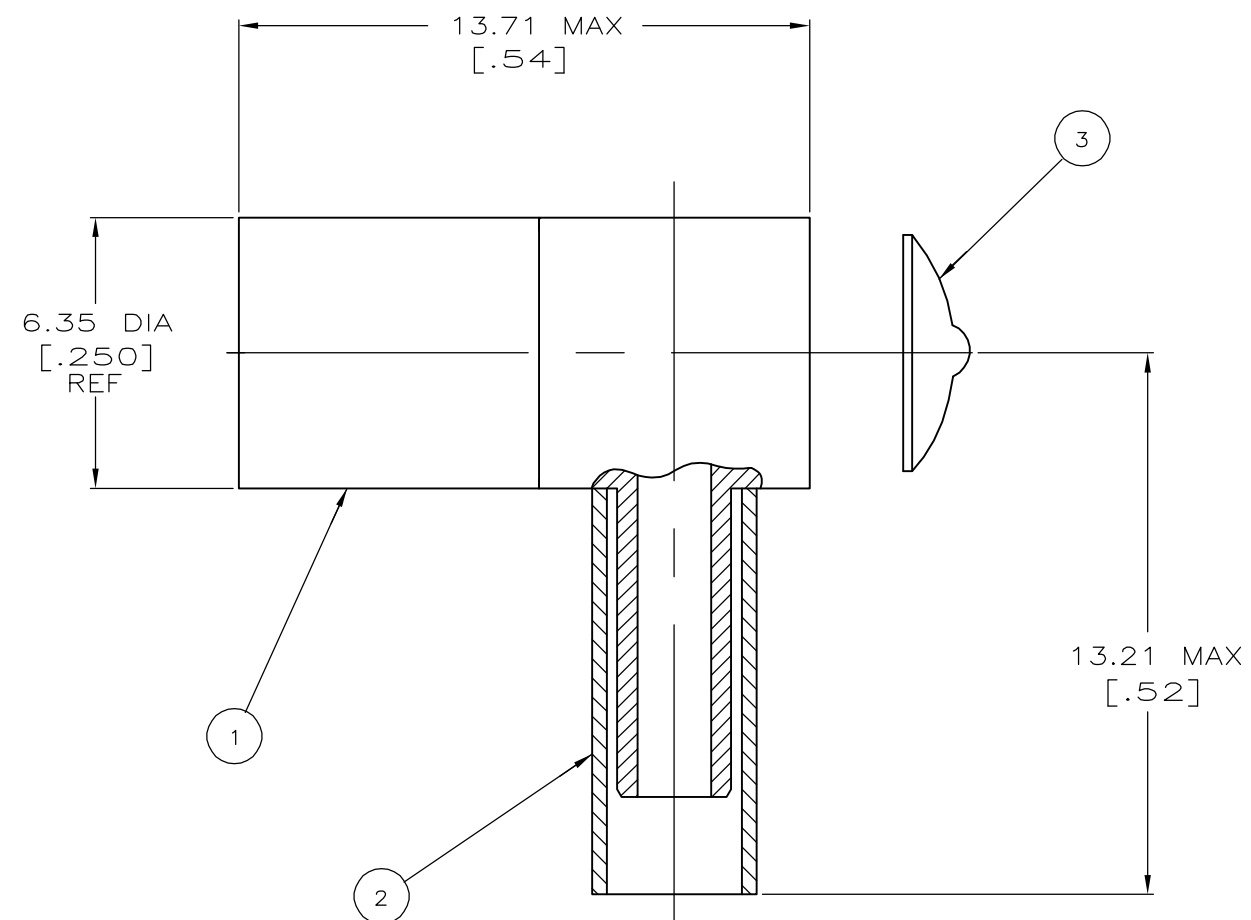
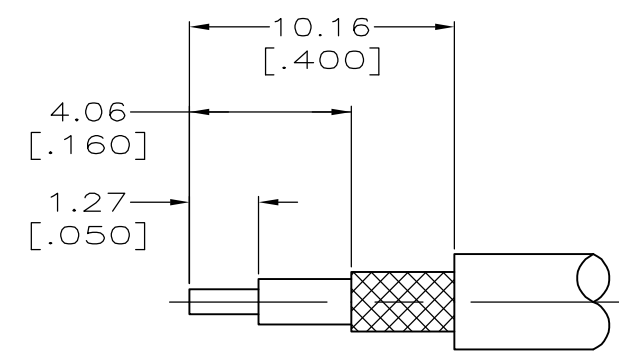


THIS DRAWING IS UNPUBLISHED. RELEASED FOR PUBLICATION
 © COPYRIGHT BY TYCO ELECTRONICS CORPORATION. ALL RIGHTS RESERVED.

LOC	DIST	REVISIONS					
AJ	16	P	LTR	DESCRIPTION	DATE	DWN	APVD
			A	REVISED PER 0S14-0150-05.	04OCT2005	REH	JGH



1. INTERFACE PER MIL-C-39012.
2. SEE INSTRUCTION SHEET 408-2987-9.



RECOMMENDED STRIP LENGTHS
SCALE NTS

A	58483-1	.105	HX4-1637	414013-3	1-413889-5	9-414364-2	RG 178,196	5414363-8
B	58483-1	.128	HX4-1637	414013-3	1-413889-3	9-414364-1	RG 174,188,316	5414363-5
C	58483-1	.151	HX4-1637	414013-3	1-413889-4	9-414364-0	RG 174,188,316(ALL DBL SHIELDED)	5414363-4
B	58483-1	.128	HX4-1637	414013-3	1-413889-3	9-414364-0	RG 174,188,316	5414363-3
POSITION LETTER	AMP DIE SET	HEX SIZE	DANIELS DIE SET	③ END CAP QTY=1	② FERRULE QTY=1	① PLUG ASSY QTY=1	CABLE	PART NO
	AMP PRO-CRIMPER FOR BRAID CRIMP	M 22520/5-01 FOR BRAID CRIMP						

TOOLING INFORMATION

THIS DRAWING IS A CONTROLLED DOCUMENT.

DIMENSIONS: mm [INCHES]	TOLERANCES UNLESS OTHERWISE SPECIFIED:
	0 PLC ± -
	1 PLC ± -
	2 PLC ± 0.25 [.010]
	3 PLC ± 0.130 [.005]
	4 PLC ± -
	ANGLES ± 1'
MATERIAL	FINISH
-	-

DWN J. HAVENER 23MAR2005	 Tyco Electronics Corporation Harrisburg, PA 17105-3608				
CHK J. HAVENER 23MAR2005					
APVD J. HAVENER 23MAR2005					
NAME PLUG,RTANG CRIMP,HEX CRIMP,SMB					
PRODUCT SPEC -	SIZE A3	CAGE CODE 00779	DRAWING NO G=5414363	RESTRICTED TO -	
APPLICATION SPEC -	WEIGHT -	CUSTOMER DRAWING		SCALE 8:1	
				SHEET 1 of 1	REV A