

5414363-5 Product Details

[Share](#) [Print](#) [Email](#)



5414363-5

TE Internal Number: 5414363-5

Active

[View 3D PDF](#)

SMB RF Connectors

Always EU RoHS/ELV Compliant
(Statement of Compliance)

Product Highlights:

- Connector - RF
- Plug
- Standard
- Applies To Coaxial Cable
- Coupler Style = Quick Connect/Disconnect

[View all Features](#)

Quick Links

- ▶ [Pricing & Availability](#)
- ▶ [Search for Tooling](#)
- ▶ [Product Feature Selector](#)
- ▶ [Contact Us About This Product](#)

[Add to My Part List](#)

[Request Sample](#)

[Find Similar Products](#)

[Buy Product](#)

Documentation & Additional Information

Product Drawings:

- [PLUG,RTANG CRIMP,HEX CRIMP,SMB](#) (PDF, English)

Catalog Pages/Data Sheets:

- [SMB Connectors](#) (PDF, English)

Product Specifications:

- None Available

Application Specifications:

- None Available

Instruction Sheets:

- None Available

CAD Files: (CAD Format & Compression Information)

- [2D Drawing](#) (DXF, Version A)
- [3D Model](#) (IGES, Version A)
- [3D Model](#) (STEP, Version A)

[List all Documents](#)

Related Products:

- [Tooling](#)

Product Features (Please use the Product Drawing for all design activity)

Product Type Features:

- [Product Type](#) = Connector - RF
- [Gender](#) = Plug
- Connector Series = Standard
- [Grade](#) = Consumer
- Dielectric Material = Fluoropolymer

Mechanical Attachment:

- [Panel Mount Retention](#) = Without

Electrical Characteristics:

- [Connector Impedance](#) (Ω) = 50

Termination Features:

- [Coaxial Cable Termination Type](#) = Crimp

Body Features:

- Coupler Style = Quick Connect/Disconnect

Contact Features:

- [Center Contact Plating](#) = Gold over Nickel
- [Outer Contact Plating](#) = Nickel over Copper

Configuration Features:

- [Coaxial Cable Type \(RG/U or Mfg.\)](#) = 174, 188, 316
- [Preloaded](#) = Yes
- [Solder Lug](#) = Without
- [Environmental Protection](#) = Without

Industry Standards:

- [RoHS/ELV Compliance](#) = RoHS compliant, ELV compliant
- [Lead Free Solder Processes](#) = Not relevant for lead free process
- [RoHS/ELV Compliance History](#) = Always was RoHS compliant

- [Body Style](#) = Right Angle
- [Pin Protection](#) = Without
- [Body Plating](#) = Nickel over Copper
- [Body Material](#) = Zinc

Conditions for Usage:

- [Applies To](#) = Coaxial Cable

Other:

- [Brand](#) = AMP

Corporate Information

- [About TE](#)
- [Investors](#)
- [News Room](#)
- [Supplier Portal](#)
- [Careers](#)
- [Terms & Conditions](#)
- [Privacy Policy](#)

Quick Links

- [Distributor Inventory](#)
- [Product Cross Reference](#)
- [Documents & Drawings](#)
- [Product Compliance Support Center](#)
- [Site Map](#)

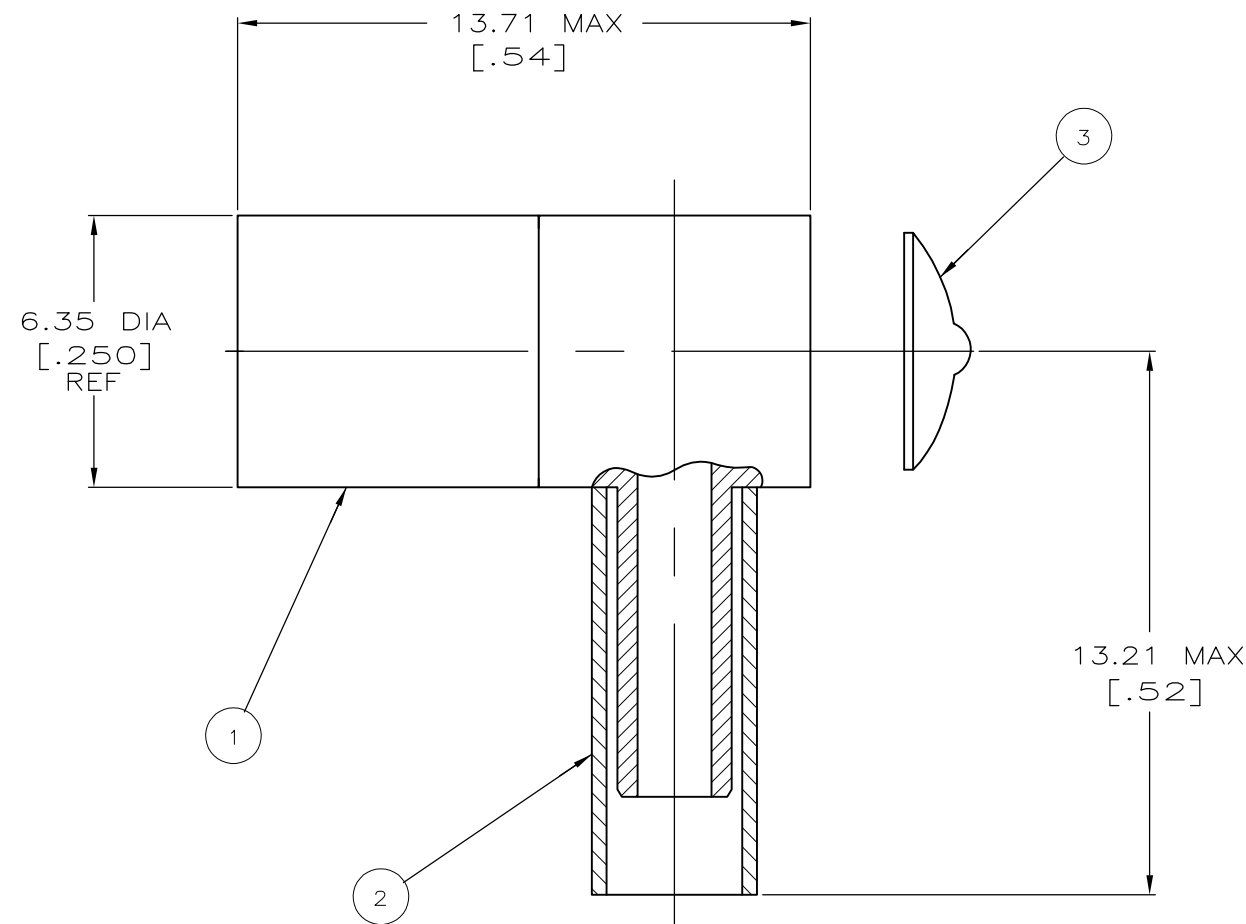
Customer Support

- [Email or Chat With Us](#)
- [Find a Phone Number](#)
- [Knowledge Base](#)
- [Manage Your Account](#)

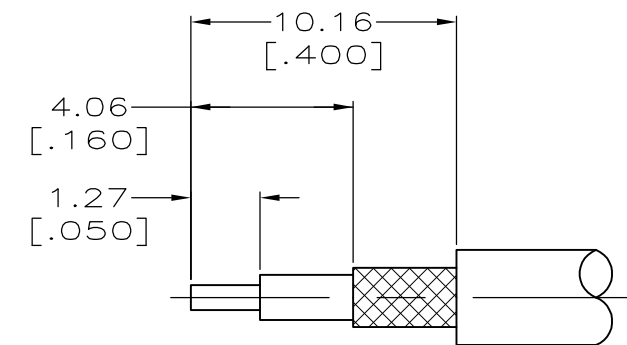
Keep Me Informed

THIS DRAWING IS UNPUBLISHED. RELEASED FOR PUBLICATION
 © COPYRIGHT - By - ALL RIGHTS RESERVED.

LOC	DIST	REVISIONS					
AJ	16	P	LTR	DESCRIPTION	DATE	DWN	APVD
		A1		REVISED PER ECO-11-005030	11MAR11	RK	HMR



1. INTERFACE PER MIL-C-39012.
2. SEE INSTRUCTION SHEET 408-2987-9.



RECOMMENDED STRIP LENGTHS
SCALE NTS

A	58483-1	.105	HX4-1637	414013-3	1-413889-5	9-414364-2	RG 178,196	5414363-8
B	58483-1	.128	HX4-1637	414013-3	1-413889-3	9-414364-1	RG 174,188,316	5414363-5
C	58483-1	.151	HX4-1637	414013-3	1-413889-4	9-414364-0	RG 174,188,316(ALL DBL SHIELDED)	5414363-4
B	58483-1	.128	HX4-1637	414013-3	1-413889-3	9-414364-0	RG 174,188,316	5414363-3
POSITION LETTER	AMP DIE SET	HEX SIZE	DANIELS DIE SET	③ END CAP QTY=1	② FERRULE QTY=1	① PLUG ASSY QTY=1	CABLE	PART NO
	PRO-CRIMPER FOR BRAID CRIMP	M 22520/5-01 FOR BRAID CRIMP						

TOOLING INFORMATION		THIS DRAWING IS A CONTROLLED DOCUMENT.		DWN J. HAVENER 23MAR2005		TE Connectivity	
				CHK J. HAVENER 23MAR2005			
DIMENSIONS: mm [INCHES]		TOLERANCES UNLESS OTHERWISE SPECIFIED:		APVD J. HAVENER 23MAR2005		NAME	
		0 PLC ± -		PRODUCT SPEC		PLUG,RTANG CRIMP,HEX CRIMP,SMB	
		1 PLC ± -		APPLICATION SPEC		SIZE	
		2 PLC ± 0.25 [.010]				CAGE CODE	
		3 PLC ± 0.130 [.005]				DRAWING NO	
		4 PLC ± -				RESTRICTED TO	
		ANGLES ± 1°				A3 00779 C-5414363	
MATERIAL		FINISH		WEIGHT		SCALE	
				-		8:1	
CUSTOMER DRAWING				SHEET		REV	
				1 OF 1		A1	