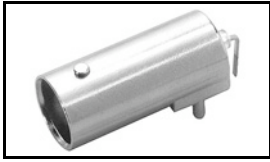


5414373-1 Product Details

[Share](#) [Print](#) [Email](#)




5414373-1

TE Internal Number: 5414373-1

 Active

 [View 3D PDF](#)

BNC RF Connectors

 Always EU RoHS/ELV Compliant
(Statement of Compliance)

Product Highlights:

- Connector - RF
- Jack
- Connector Style = Jack
- Applies To Printed Circuit Board
- PCB Mounting Orientation = Right Angle

[View all Features](#)

Quick Links

- ▶ [Pricing & Availability](#)
- ▶ [Search for Tooling](#)
- ▶ [Product Feature Selector](#)
- ▶ [Contact Us About This Product](#)

[Add to My Part List](#)

[Request Sample](#)

[Find Similar Products](#)

[Buy Product](#)

Documentation & Additional Information

Product Drawings:

- [JACK, RIGHT ANGLE, PCB, 50 OHM, BNC \(PDF, English\)](#)

Catalog Pages/Data Sheets:

- [BNC Connectors \(PDF, English\)](#)

Product Specifications:

- None Available

Application Specifications:

- None Available

Instruction Sheets:

- None Available

CAD Files: (CAD Format & Compression Information)

- [2D Drawing \(DXF, Version A\)](#)
- [3D Model \(IGES, Version A\)](#)
- [3D Model \(STEP, Version A\)](#)

[List all Documents](#)

Related Products:

- [Tooling](#)

Product Features (Please use the Product Drawing for all design activity)

Product Type Features:

- [Product Type](#) = Connector - RF
- [Gender](#) = Jack
- [PCB Mounting Orientation](#) = Right Angle
- [Grade](#) = Commercial
- [PCB Mount Retention](#) = Without
- [Sealed](#) = No
- [Isolated](#) = No
- [Dielectric Material](#) = TPX

Mechanical Attachment:

- [Surface Mountable](#) = No
- [Hardware Included](#) = No
- [Panel Mount Retention](#) = Without

Electrical Characteristics:

- [Connector Impedance \(Ω\)](#) = 50

Contact Features:

- [Center Contact Material](#) = Phosphor Bronze
- [Center Contact Plating](#) = Gold (30)

Housing Features:

- [Connector Style](#) = Jack

Configuration Features:

- [Number of Ports](#) = 1
- [Solder Terminal](#) = Without

Industry Standards:

- [Government/Industry Qualification](#) = No
- [RoHS/ELV Compliance](#) = RoHS compliant, ELV compliant
- [Lead Free Solder Processes](#) = Wave solder capable to 260°C, Wave solder capable to 240°C, Wave solder capable to 265°C
- [RoHS/ELV Compliance History](#) = Always was RoHS

Dimensions:

- [PCB Height \(mm \[in\]\)](#) = 8.64 [0.340]

Body Features:

- [Body Material](#) = Zinc
- [Body Plating](#) = Nickel
- [Body Insulation](#) = Without
- [Polarized](#) = No

compliant

Conditions for Usage:

- [Applies To](#) = Printed Circuit Board

Other:

- [Brand](#) = AMP

Corporate Information

[About TE](#)
[Investors](#)
[News Room](#)
[Supplier Portal](#)
[Careers](#)
[Terms & Conditions](#)
[Privacy Policy](#)

Quick Links

[Distributor Inventory](#)
[Product Cross Reference](#)
[Documents & Drawings](#)
[Product Compliance Support Center](#)
[Site Map](#)

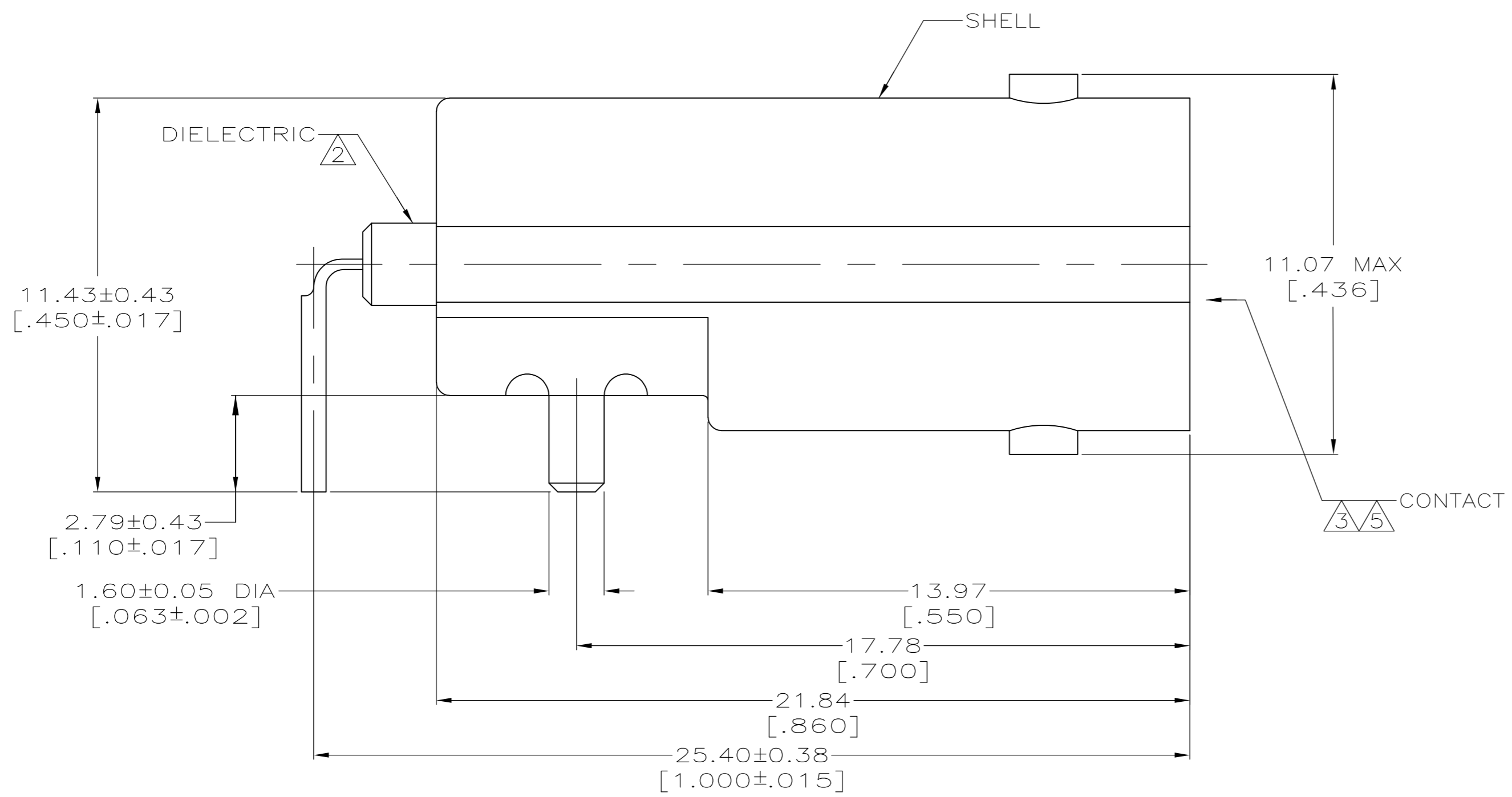
Customer Support

[Email or Chat With Us](#)
[Find a Phone Number](#)
[Knowledge Base](#)
[Manage Your Account](#)

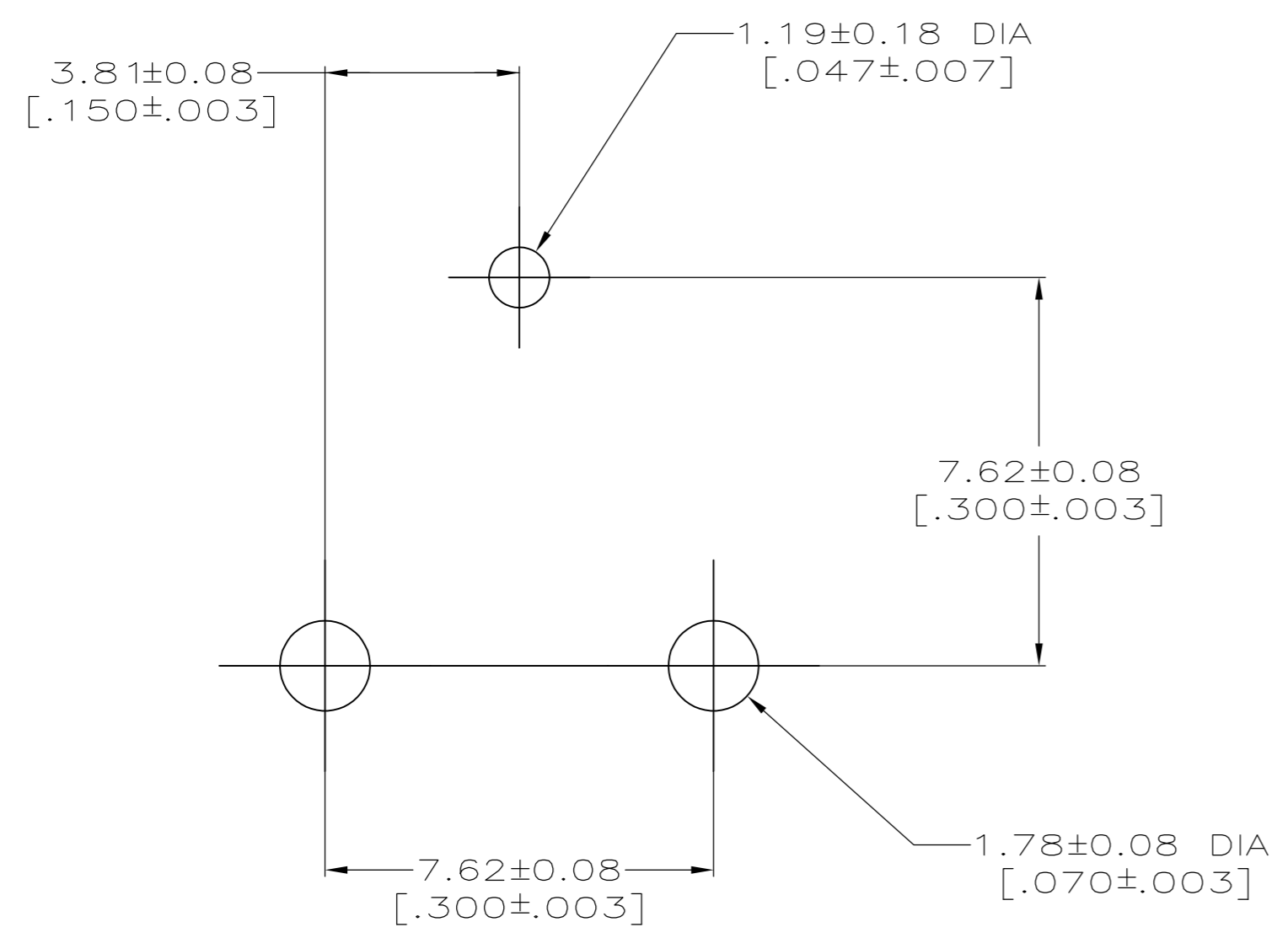
Keep Me Informed

THIS DRAWING IS UNPUBLISHED. RELEASED FOR PUBLICATION
 © COPYRIGHT - By - ALL RIGHTS RESERVED.

LOC	DIST	REVISIONS					
		P	LTR	DESCRIPTION	DATE	DWN	APVD
AJ	16		A2	REVISED PER ECO-11-005030	11MAR11	RK	HMR



- 1 ZINC PER QQ-Z-363.
- 2 POLYMETHYLPENTENE, GENERAL PURPOSE.
- 3 PHOSPHOR BRONZE PER QQ-B-750.
- 4 NICKEL PLATE PER QQ-N-290, 3.81 μm [.000150] MINIMUM THICK.
- 5 GOLD PLATE PER ASTM B 488, 0.76 μm [.000030] MINIMUM THICK.
- 6 ZAMAK 8
- 7 OBSOLETE PARTS: OBSOLETE CIS STREAMLINING PER D.RENAUD/D.SINISI



SUGGESTED PCB CONFIGURATION

7 OBSOLETE	4	6	5414373-2
	4	1	5414373-1
	SHELL FINISH	SHELL MATERIAL	PART NO

THIS DRAWING IS A CONTROLLED DOCUMENT.		DWN	26APR2005	TE Connectivity	
DIMENSIONS: mm [INCHES]		CHK	J. ALCORTA - DOCK5		
TOLERANCES UNLESS OTHERWISE SPECIFIED:		APVD	J. HAVENER		
0 PLC ± -		PRODUCT SPEC	J. LIPPERT		
1 PLC ± -		APPLICATION SPEC	108-12078		
2 PLC ± 0.13 [.005]		NAME	JACK, RIGHT ANGLE, PCB, 50 OHM, BNC	SIZE	A2
3 PLC ± -		WEIGHT	-	CAGE CODE	00779
4 PLC ± -		CUSTOMER DRAWING	8:1	DRAWING NO	5414373
ANGLES ± 5°		SCALE	8:1	RESTRICTED TO	-
FINISH		SEE NOTES 4 - 5	SHEET	1 of 1	REV
MATERIAL		SEE NOTES 1-3, 6	REV	A2	

5414373