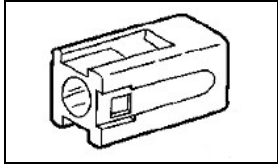


54315-1 Product Details



54315-1

TE Internal Number: 54315-1



Power Lock Connectors

 Always EU RoHS/ELV Compliant (Statement of Compliance)

Product Highlights:

- Wire-to-Wire
- Accessory
- Accessory Type = Adapter
- Accessory Color = Red
- Without PCB Mount Retention

Documentation & Additional Information

Product Drawings:

- [MOUNTING ADAPTER, SERIES 1, POWER LOCK](#) (PDF, English)

Catalog Pages/Data Sheets:

- None Available

Product Specifications:

- [Connector, Power Lock, Series I](#) (PDF, English)

Application Specifications:

- [Power Lock 75 Series Contacts](#) (PDF, English)
- [Power-Lock 75 Series Contacts](#) (PDF, Japanese)

Instruction Sheets:

- [Power Lock Connectors \(Series I\) \(Accept Contact 53892\)](#) (PDF, English)

CAD Files: (CAD Format & Compression Information)

- [2D Drawing](#) (DXF, Version E)
- [3D Model](#) (IGES, Version E)
- [3D Model](#) (STEP, Version E)

Additional Information:

- [Product Line Information](#)

Related Products:

- [Tooling](#)

Product Features (Please use the Product Drawing for all design activity)

Product Type Features:

- Product Type = Accessory
- Accessory Type = Adapter
- Accessory Color = Red
- PCB Mount Retention = Without
- UL File Number = E28476
- CSA File Number = LR7189

Dimensions:

- Length (X-Axis) (mm [in]) = 13.97 [0.550]
- Width (Z-Axis) (mm [in]) = 7.92 [0.312]
- Profile Height (Y-Axis) (mm [in]) = 7.92 [0.312]

Industry Standards:

- [RoHS/ELV Compliance](#) = RoHS compliant, ELV compliant
- [Lead Free Solder Processes](#) = Not relevant for lead free process
- RoHS/ELV Compliance History = Always was RoHS compliant
- Agency/Standard = UL, CSA
- UL Rating = Recognized
- CSA Certified = Yes

Operation/Application:

- Application Use = Wire-to-Wire

Packaging Features:

- Packaging Method = Loose Piece

Other:

- Brand = AMP

4

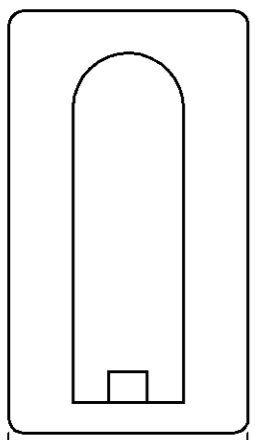
3

2

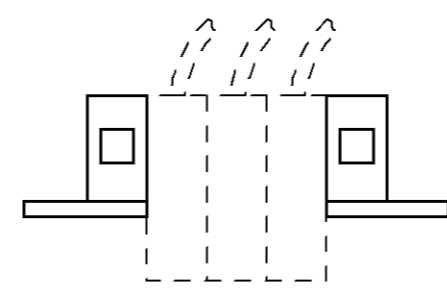
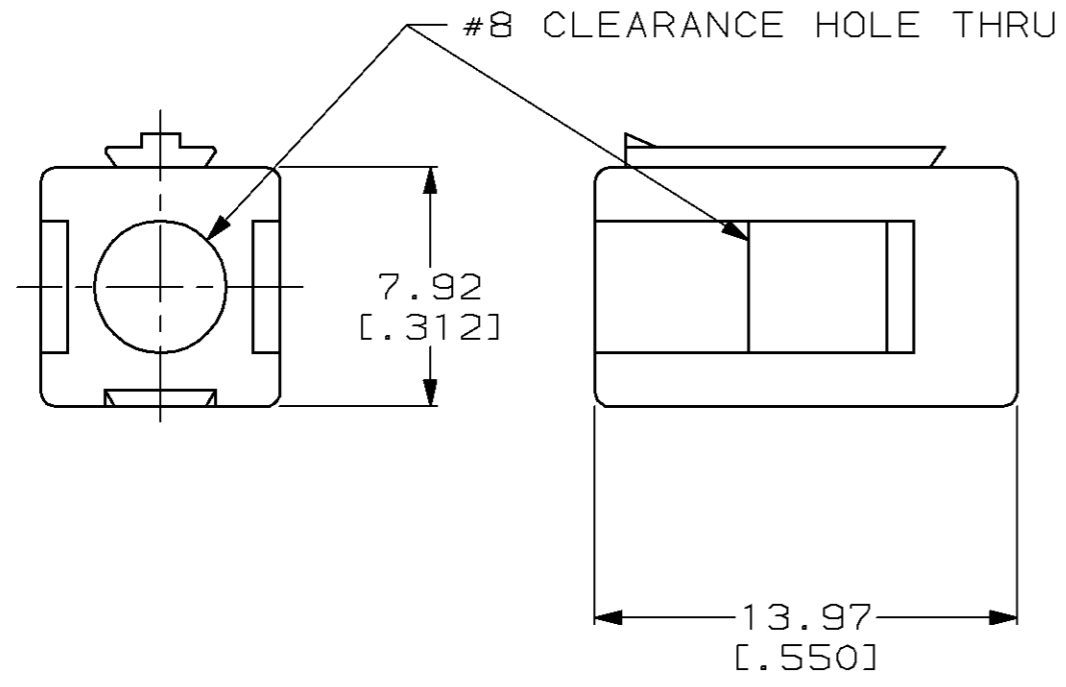
1

THIS DRAWING IS UNPUBLISHED. RELEASED FOR PUBLICATION, 19 .
 © COPYRIGHT 19 BY AMP INCORPORATED. ALL RIGHTS RESERVED.

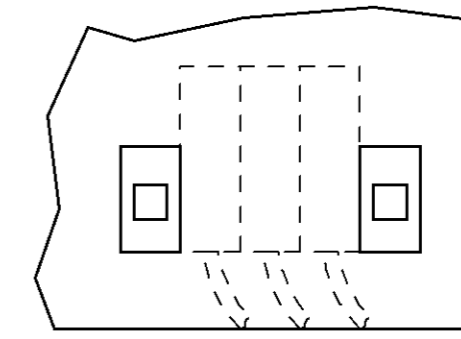
LOC	DIST	REVISIONS			
P	LTR	DESCRIPTION	DATE	DWN	APVD
FT	60	E	REDRAWN & REV PER EC 0320-74-97	10 APR 97	-



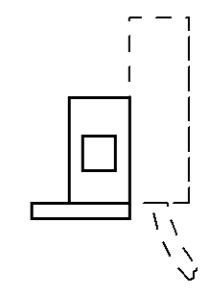
7.92
[.312]



TYP THRU PANEL
HOLE PATTERN



TYP SURFACE
MTG PATTERN



TYP VERTICAL
MOUNT

54315-1
PART
NUMBER

THIS DRAWING IS A CONTROLLED DOCUMENT.		DWN M. BINNER 10 APR 97	AMP Incorporated Harrisburg, PA 17105-3608			
DIMENSIONS: mm [INCHES]		CHK R. STONE 24 APR 97				
TOLERANCES UNLESS OTHERWISE SPECIFIED:		APVD M. MCALONIS 22 MAY 97				
	0 PLC ±-	PRODUCT SPEC 108-11026	NAME MOUNTING ADAPTER, SERIES 1, POWER LOCK			
	1 PLC ±-	APPLICATION SPEC 114-6032				
	2 PLC ±0.38 [.015]	WEIGHT -	SIZE A3	CAGE CODE 00779	DRAWING NO C-54315	RESTRICTED TO -
	3 PLC ±-	MATERIAL POLYCARBONATE, RED	CUSTOMER DRAWING		SCALE 4:1	SHEET 1 OF 1
4 PLC ±-	FINISH -					
ANGLES ±-						