

Distributed by:

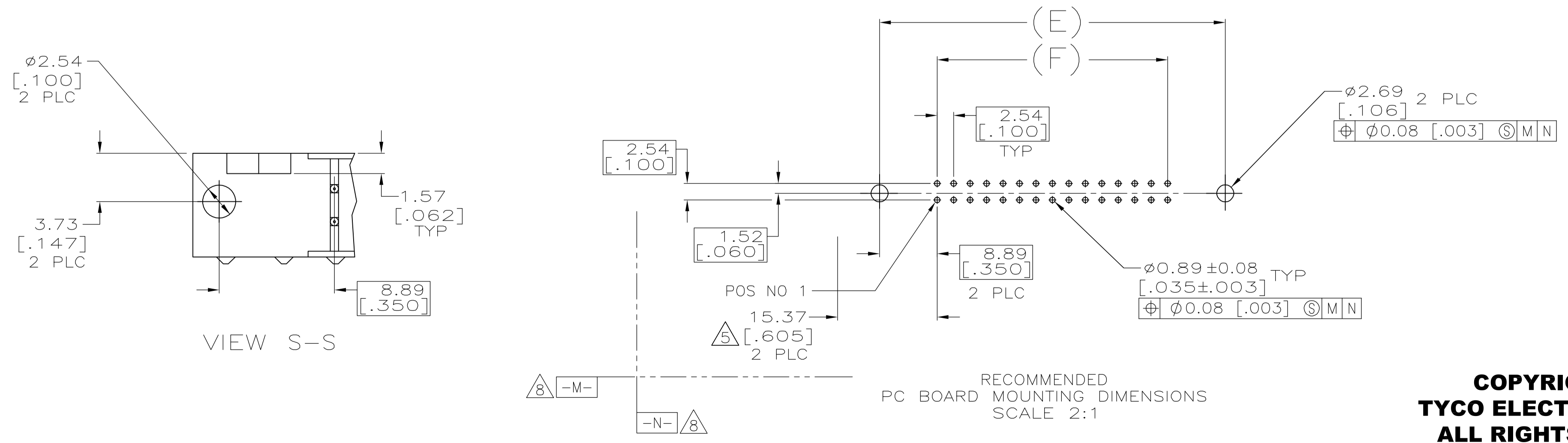
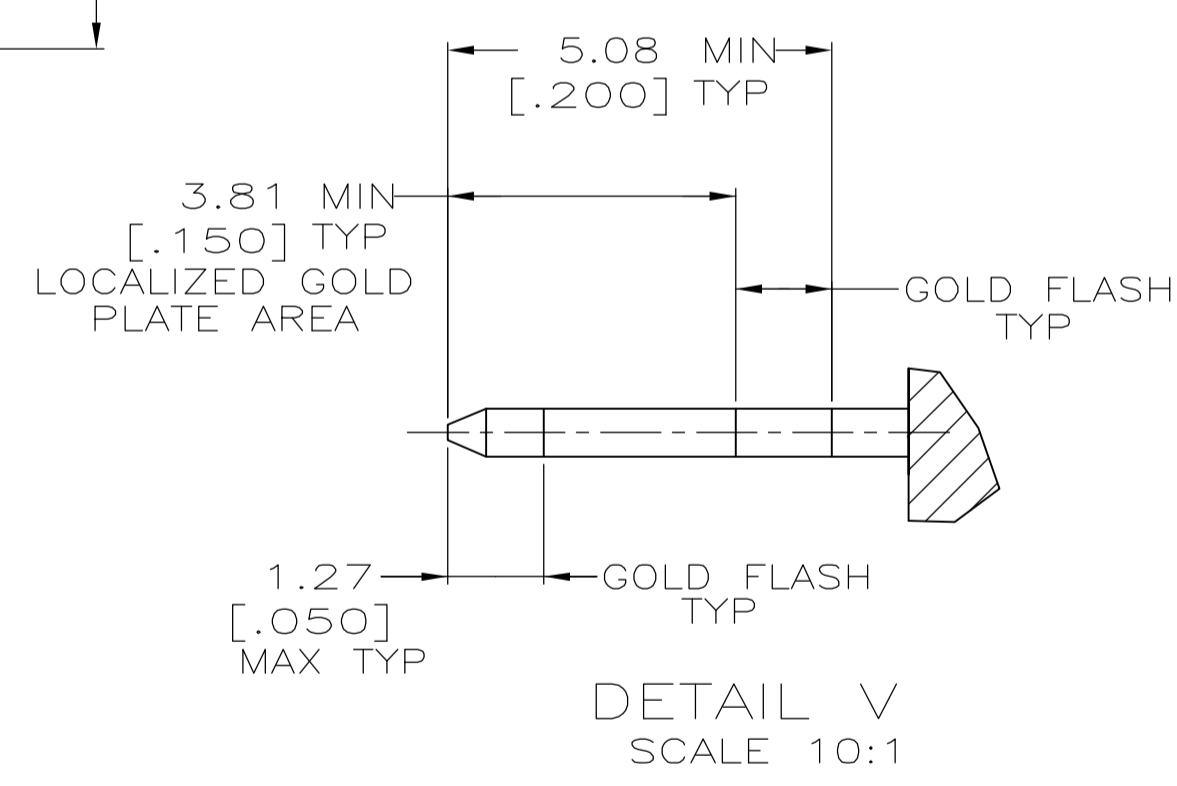
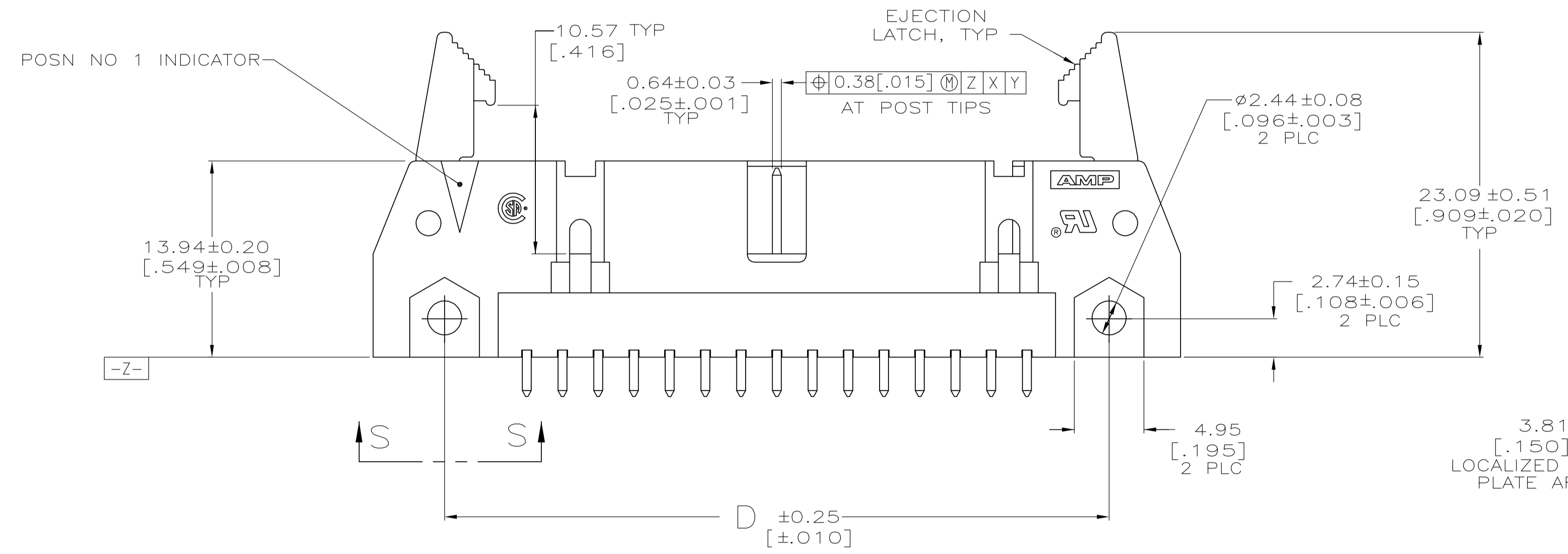
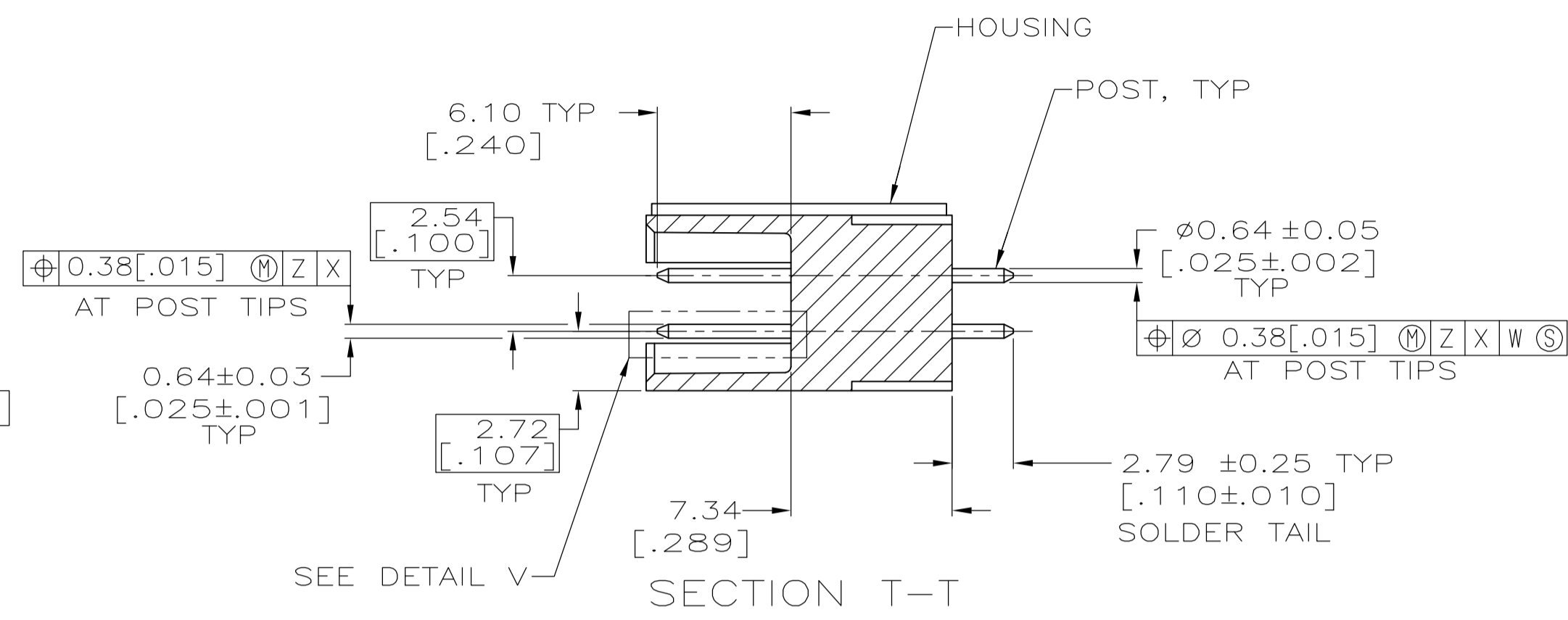
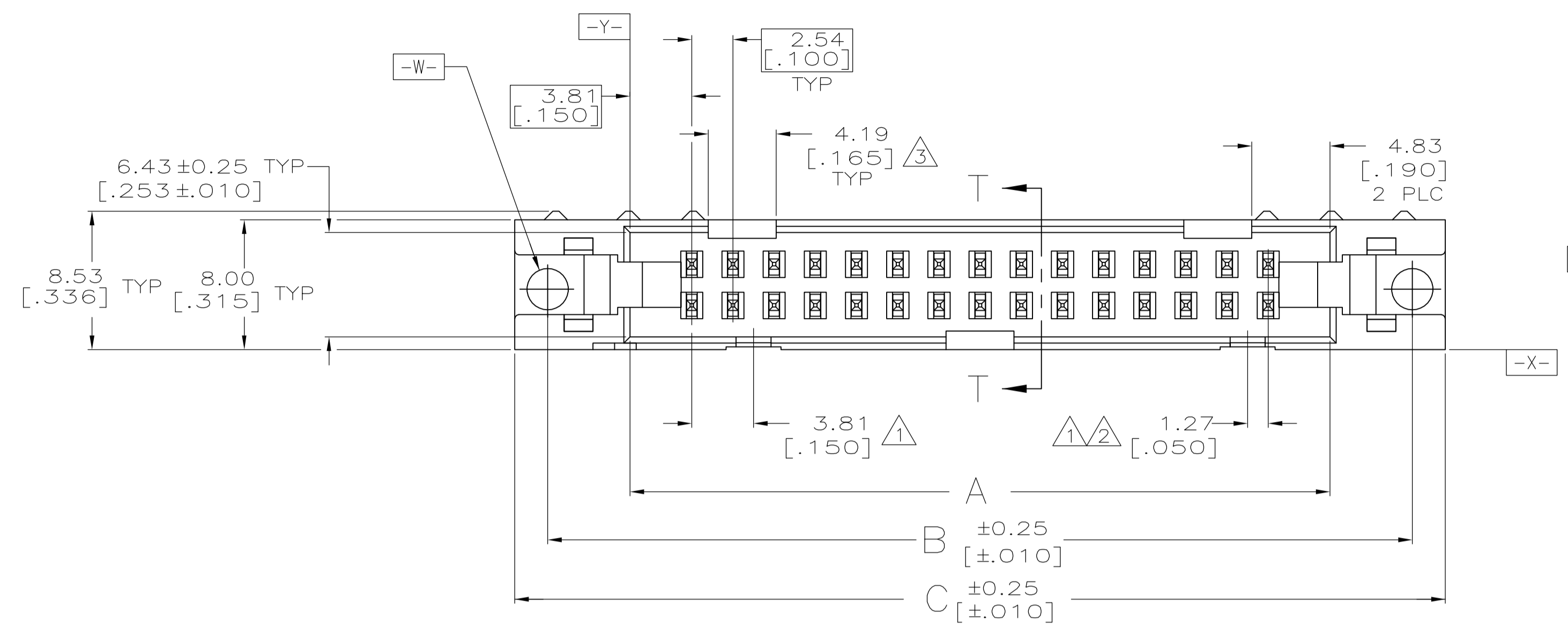
**JAMECO**<sup>®</sup>  
ELECTRONICS

**www.Jameco.com ♦ 1-800-831-4242**

The content and copyrights of the attached  
material are the property of its owner.

Jameco Part Number 1974165

EJECTION LATCHES OMITTED IN THIS VIEW FOR CLARITY



VIEW S-S

RECOMMENDED PC BOARD MOUNTING DIMENSIONS SCALE 2:1

SEE SHEET 2 FOR TABLE & NOTES

**COPYRIGHT 2005 TYCO ELECTRONICS CORP ALL RIGHTS RESERVED**

THIS DRAWING IS A CONTROLLED DOCUMENT.		DIN L VARELA - 01-07-05	 Tyco Electronics Corporation Harrisburg, PA 17105-3608
DIMENSIONS: mm [INCHES]		CHK S BOLASH 01-07-05	
TOLERANCES UNLESS OTHERWISE SPECIFIED:		APVD W WALMSLEY 01-07-05	NAME
0 PLC ± -			HEADER ASSY, UNIVERSAL, AMP-LATCH
1 PLC ± -			PRODUCT SPEC
2 PLC ± 0.13[005]			108-40018
3 PLC ± -			APPLICATION SPEC
4 PLC ± -			
ANGLES ± -			
MATERIAL	FINISH	SIZE	RESTRICTED TO
		WEIGHT	
		A1 00779 C=5499160	
		RESTRICTED CUSTOMER	
		SCALE 4:1	SHEET 1 OF 2
			REV A

- ① COORDINATE DIMENSION APPLIES FROM BASIC LOCATION.
- ② 10 AND 14 POSITION SIZES CONTAIN ONLY ONE SLOT FOR SNAP-IN POLARIZER (MILITARY POLARIZATION) LOCATED AS SHOWN.
- ③ 10 POSITION SIZES CONTAIN ONLY ONE SLOT FOR DUAL POLARIZATION, LOCATED AS SHOWN.
- 4. RECOMMENDED PRINTED CIRCUIT BOARD THICKNESS IS 1.57 [.062].
- ⑤ DISTANCE REQUIRED BY EJECTION LATCHES IN THE OPEN POSITION.
- ⑥ HOUSING & LATCHES, GLASS FILLED NYLON OR POLYESTER, UL94V-0 RATED, SEE TABLE FOR COLOR. POSTS: PH BRZ OR BRASS.
- ⑦ POSTS: 0.76 $\mu$ m [.000030] MIN GOLD ON LOCALIZED GOLD PLATE AREA, 2.54 $\mu$ m [.000100] MIN TIN ON SOLDER TAIL, ALL OVER 1.27 $\mu$ m [.000050] MIN NICKEL ON ENTIRE POST.
- ⑧ DATUMS -M- & -N- TO BE ESTABLISHED BY CUSTOMER.

BLUE	78.74	96.52	90.42	100.58	96.52	86.36	64	3-5499160-2
	[3.100]	[3.800]	[3.560]	[3.960]	[3.800]	[3.400]		
BLUE	73.66	91.44	85.34	95.50	91.44	81.28	60	3-5499160-1
	[2.900]	[3.600]	[3.360]	[3.760]	[3.600]	[3.200]		
BLUE	60.96	78.74	72.64	82.80	78.74	68.58	50	3-5499160-0
	[2.400]	[3.100]	[2.860]	[3.260]	[3.100]	[2.700]		
BLUE	48.26	66.04	59.94	70.10	66.04	55.88	40	2-5499160-9
	[1.900]	[2.600]	[2.360]	[2.760]	[2.600]	[2.200]		
BLUE	40.64	58.42	52.32	62.48	58.42	48.26	34	2-5499160-8
	[1.600]	[2.300]	[2.060]	[2.460]	[2.300]	[1.900]		
BLUE	35.56	53.34	47.24	57.40	53.34	43.18	30	2-5499160-7
	[1.400]	[2.100]	[1.860]	[2.260]	[2.100]	[1.700]		
BLUE	30.48	48.26	42.16	52.32	48.26	38.10	26	2-5499160-6
	[1.200]	[1.900]	[1.660]	[2.060]	[1.900]	[1.500]		
BLUE	22.86	40.64	34.54	44.70	40.64	30.48	20	2-5499160-4
	[.900]	[1.600]	[1.360]	[1.760]	[1.600]	[1.200]		
BLUE	17.78	35.56	29.46	39.62	35.56	25.40	16	2-5499160-3
	[.700]	[1.400]	[1.160]	[1.560]	[1.400]	[1.000]		
BLUE	15.24	33.02	26.92	37.08	33.02	22.86	14	2-5499160-2
	[.600]	[1.300]	[1.060]	[1.460]	[1.300]	[.900]		
BLUE	10.16	27.94	21.84	32.00	27.94	17.78	10	2-5499160-1
	[.400]	[1.100]	[.860]	[1.260]	[1.100]	[.700]		
BLACK	78.74	96.52	90.42	100.58	96.52	86.36	64	1-5499160-2
	[3.100]	[3.800]	[3.560]	[3.960]	[3.800]	[3.400]		
BLACK	73.66	91.44	85.34	95.50	91.44	81.28	60	1-5499160-1
	[2.900]	[3.600]	[3.360]	[3.760]	[3.600]	[3.200]		
BLACK	60.96	78.74	72.64	82.80	78.74	68.58	50	1-5499160-0
	[2.400]	[3.100]	[2.860]	[3.260]	[3.100]	[2.700]		
BLACK	48.26	66.04	59.94	70.10	66.04	55.88	40	5499160-9
	[1.900]	[2.600]	[2.360]	[2.760]	[2.600]	[2.200]		
BLACK	40.64	58.42	52.32	62.48	58.42	48.26	34	5499160-8
	[1.600]	[2.300]	[2.060]	[2.460]	[2.300]	[1.900]		
BLACK	35.56	53.34	47.24	57.40	53.34	43.18	30	5499160-7
	[1.400]	[2.100]	[1.860]	[2.260]	[2.100]	[1.700]		
BLACK	30.48	48.26	42.16	52.32	48.26	38.10	26	5499160-6
	[1.200]	[1.900]	[1.660]	[2.060]	[1.900]	[1.500]		
BLACK	27.94	45.72	39.62	49.78	45.72	35.56	24	5499160-5
	[1.100]	[1.800]	[1.560]	[1.960]	[1.800]	[1.400]		
BLACK	22.86	40.64	34.54	44.70	40.64	30.48	20	5499160-4
	[.900]	[1.600]	[1.360]	[1.760]	[1.600]	[1.200]		
BLACK	17.78	35.56	29.46	39.62	35.56	25.40	16	5499160-3
	[.700]	[1.400]	[1.160]	[1.560]	[1.400]	[1.000]		
BLACK	15.24	33.02	26.92	37.08	33.02	22.86	14	5499160-2
	[.600]	[1.300]	[1.060]	[1.460]	[1.300]	[.900]		
BLACK	10.16	27.94	21.84	32.00	27.94	17.78	10	5499160-1
	[.400]	[1.100]	[.860]	[1.260]	[1.100]	[.700]		
HOUSING AND LATCHES COLOR	F	E	D	C	B	A	NO OF POSN	PART NUMBER

THIS DRAWING IS A CONTROLLED DOCUMENT.		DIN	L. VARELA - DOCKS	01-07-05		Tyco Electronics Corporation	
DIMENSIONS: INCHES		CHK	S. BOLASH	01-07-05		Harrisburg, PA 17105-3608	
TOLERANCES UNLESS OTHERWISE SPECIFIED:		APVD	M. WALMSLEY	01-07-05	NAME	HEADER ASSY, UNIVERSAL, AMP-LATCH	
0 PLC ± -	1 PLC ± -	PRODUCT SPEC	108-40018		SIZE	CAGE CODE	DRAWING NO
2 PLC ± -	3 PLC ± 0.13[.005]	APPLICATION SPEC	-		WEIGHT	A1 00779 C=5499160	
4 PLC ± -	ANGLES ± -	MATERIAL	-		RESTRICTED TO	-	
FINISH		-		RESTRICTED CUSTOMER		SCALE	1:1
				SHEET		2	OF 2
				REV		A	