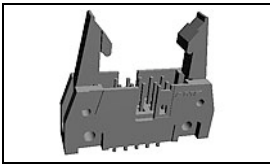


5499374-5 Product Details

[Share](#) [Print](#) [Email](#)



5499374-5

TE Internal Number: 5499374-5

Active

[View 3D PDF](#)

AMP-LATCH Pin and Pinless Headers

Always EU RoHS/ELV Compliant (Statement of Compliance)

Product Highlights:

- Header
- Header Type = Universal Ejection Pin Headers
- AMP-LATCH Product Line
- Standard Profile
- 24 Positions

[View all Features](#)

Quick Links

- ▶ [Pricing & Availability](#)
- ▶ [Search for Tooling](#)
- ▶ [View Mating Products \(5\)](#)
- ▶ [Product Feature Selector](#)
- ▶ [Contact Us About This Product](#)

[Add to My Part List](#)

[Request Sample](#)

[Find Similar Products](#)

[Buy Product](#)

Documentation & Additional Information

Product Drawings:

- [HEADER ASSY, UNIVERSAL, AMP-LATCH \(PDF, English\)](#)

Catalog Pages/Data Sheets:

- [Ribbon Cable Interconnect Solutions \(PDF, English\)](#)

Product Specifications:

- [AMP-LATCH and IDC Header Connectors, .100 x .100 Inc... \(PDF, English\)](#)

Application Specifications:

- None Available

Instruction Sheets:

- None Available

CAD Files: [\(CAD Format & Compression Information\)](#)

- [2D Drawing \(DXF, Version C\)](#)
- [3D Model \(IGES, Version C\)](#)
- [3D Model \(STEP, Version C\)](#)

[List all Documents](#)

Additional Information:

- [Product Line Information](#)

Related Products:

- [Tooling](#)
- [Mating Products \(5\)](#)

Product Features (Please use the Product Drawing for all design activity)

Product Type Features:

- Connector Type = Header
- Product Line = AMP-LATCH
- Profile = Standard
- PCB Mounting Orientation = Vertical
- PCB Mount Retention = Without
- Mating Connector Lock = With
- Ejection Latches = With
- Post Size (mm [in]) = 0.64 [.025]
- Latch Type = Short
- Mating Connector Lock Type = Latch

Termination Features:

- [Termination Post Length \(mm \[in\]\) = 3.94 \[0.155\]](#)

Dimensions:

- PCB Thickness, Recommended (mm [in]) = 3.18 [0.125]

Body Features:

- Header Type = Universal Ejection Pin Headers

Contact Features:

- [Contact Plating, Mating Area, Material = Gold \(30\)](#)
- Contact Shape = Square
- Solder Tail Contact Plating = Tin

Housing Features:

- [Centerline, Matrix \(mm \[in\]\) = 2.54 x 2.54 \[.100 x .100\]](#)
- [Mating Alignment Type = Center, Dual Polarizing Bar, Military](#)
- [Housing Style = 4-Sided](#)
- Mating Alignment = With
- Housing Material = Thermoplastic - GF
- UL Flammability Rating = UL 94V-0
- Housing Color = Black

Configuration Features:

- [Number of Positions = 24](#)
- Shrouded = Yes

Industry Standards:

- [RoHS/ELV Compliance = RoHS compliant, ELV compliant](#)
- [Lead Free Solder Processes = Wave solder capable to 240°C, Wave solder capable to 260°C, Wave solder capable to 265°C](#)
- [RoHS/ELV Compliance History = Always was RoHS compliant](#)

Conditions for Usage:

- [Temperature Rating = Standard](#)

Other:

- Brand = AMP

Corporate Information

[About TE](#)

[Investors](#)

Quick Links

[Distributor Inventory](#)

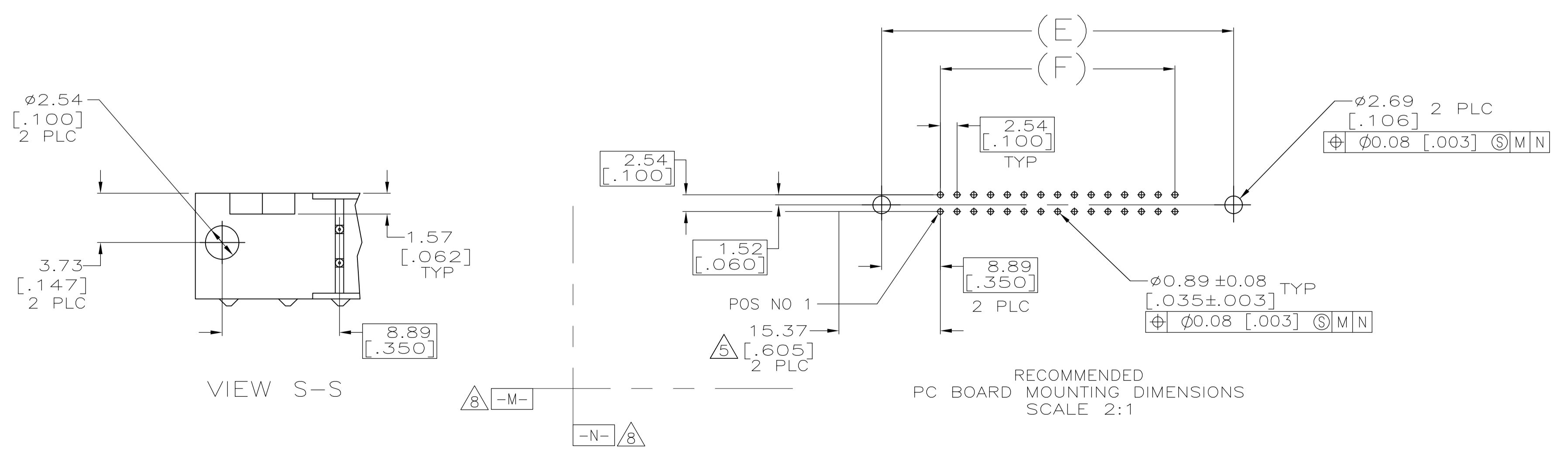
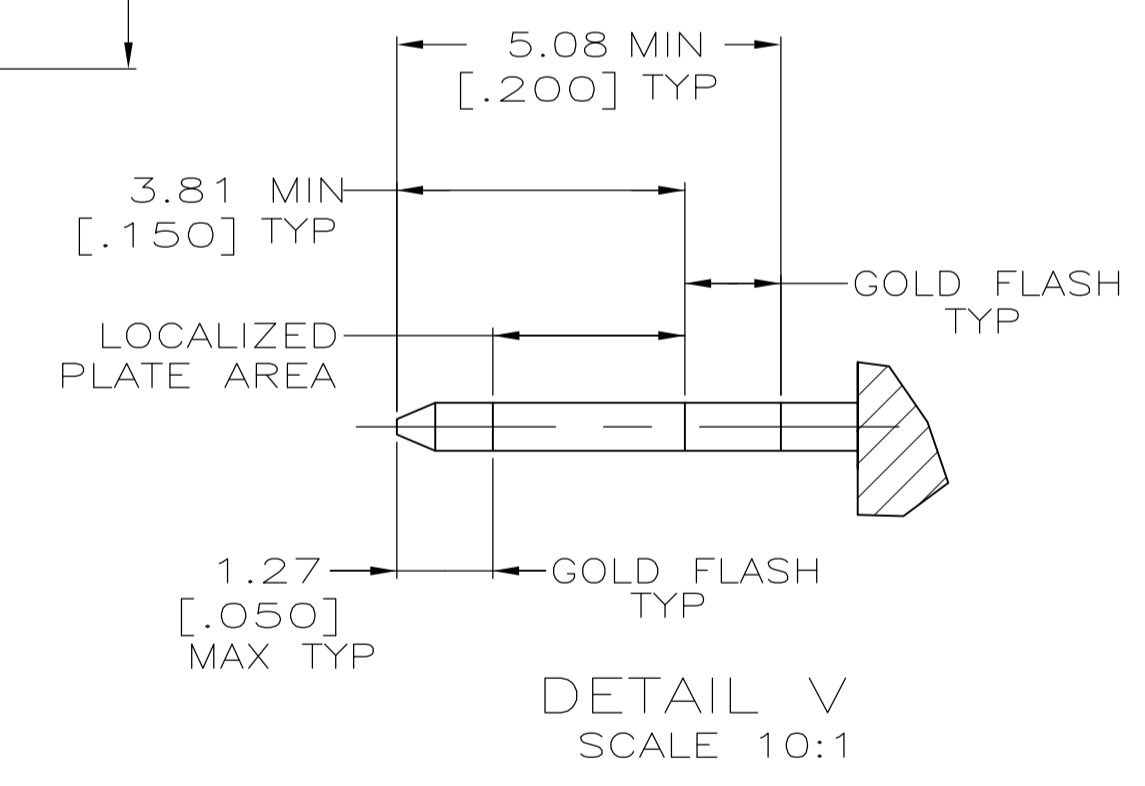
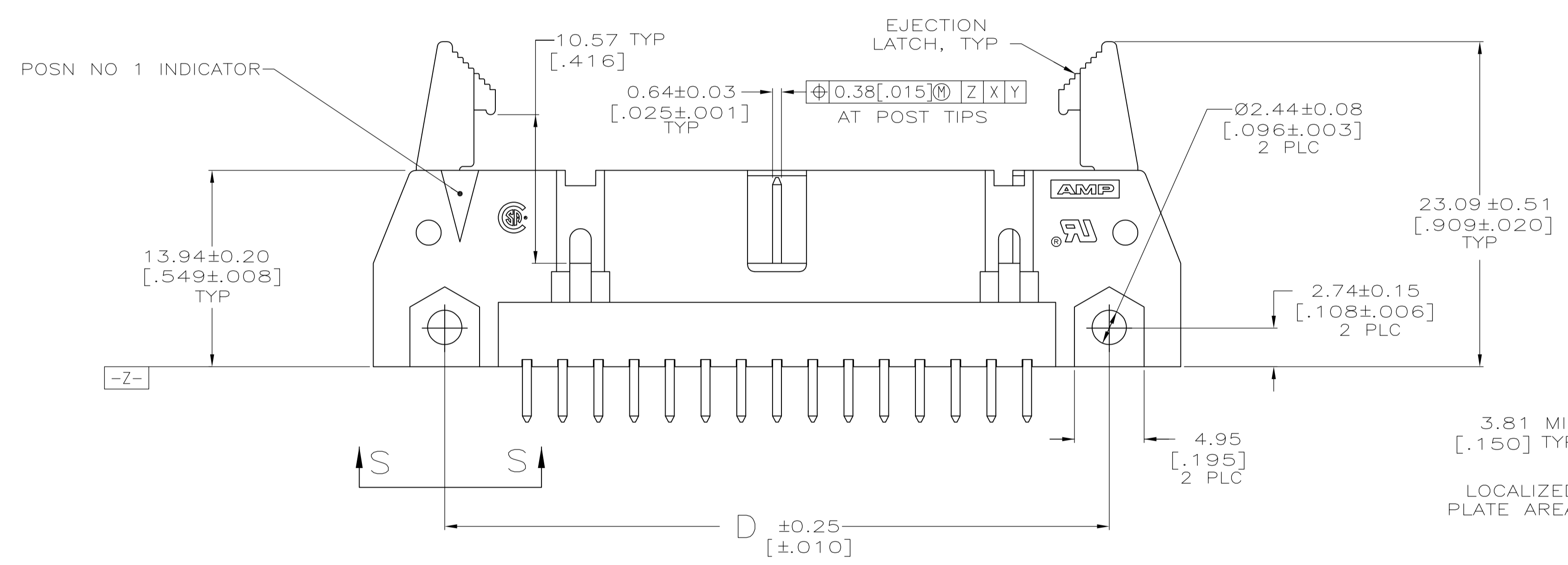
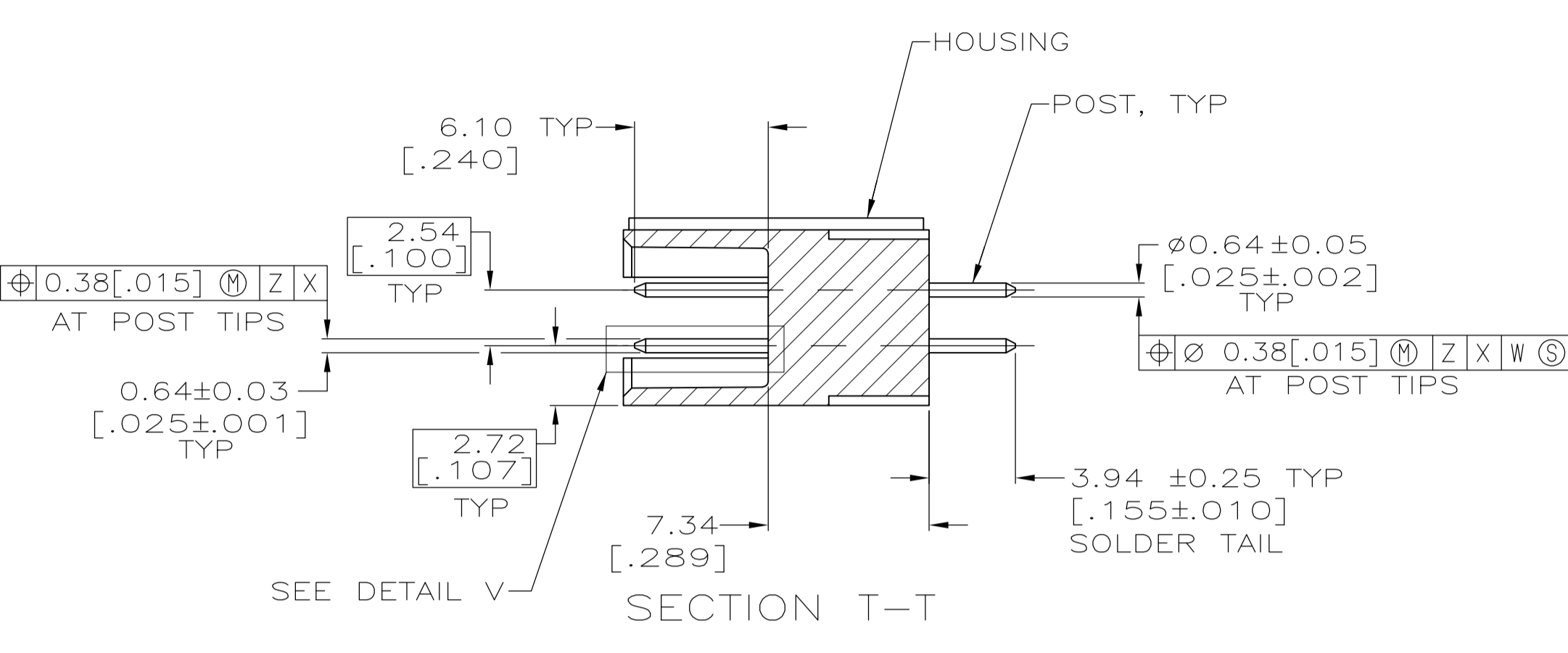
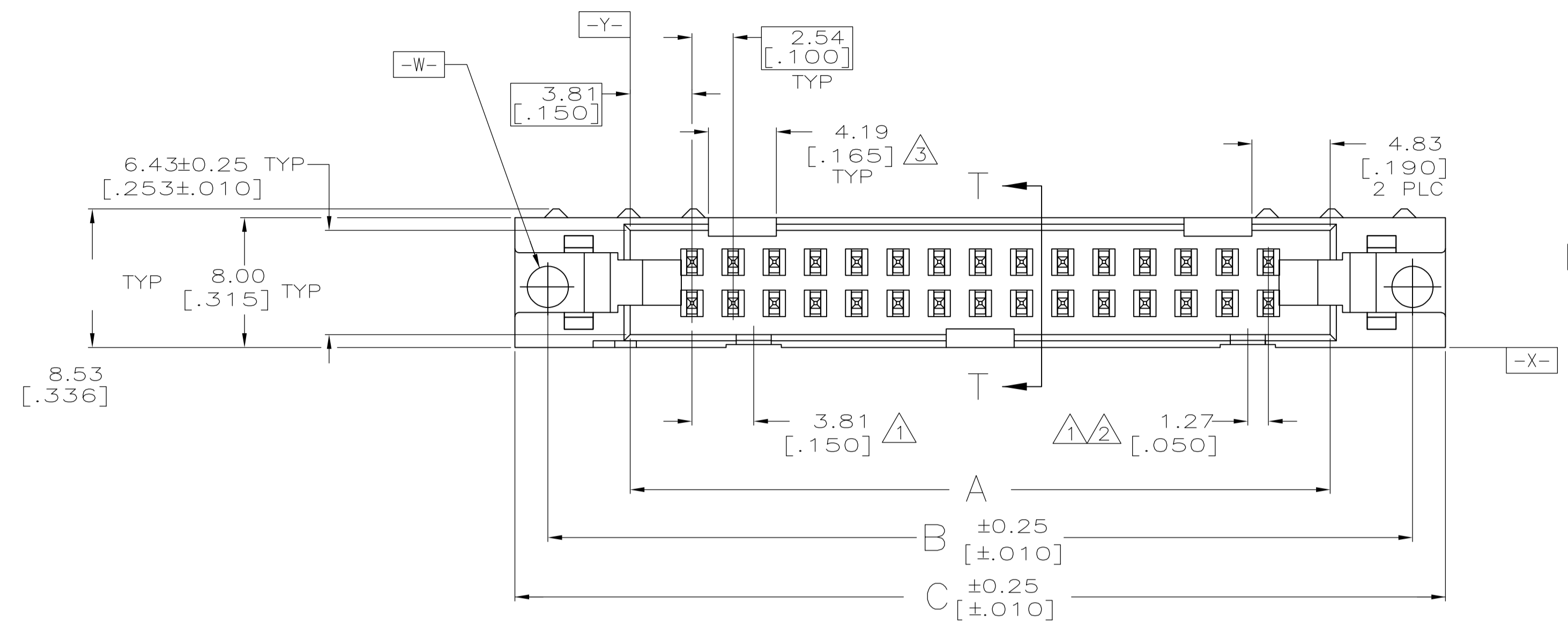
[Product Cross Reference](#)

Customer Support

[Email or Chat With Us](#)

[Find a Phone Number](#)

EJECTION LATCHES OMITTED IN THIS VIEW FOR CLARITY



VIEW S-S

SEE SHEET 2 FOR TABLE & NOTES

THIS DRAWING IS A CONTROLLED DOCUMENT.		DIN L VAERELA - 01-07-05 DOCK5 01-07-05		STC TE Connectivity	
DIMENSIONS: mm (INCHES)		TOLERANCES UNLESS OTHERWISE SPECIFIED:		NAME: M WALSLEY 01-07-05	
0 PLC ± .01		1 PLC ± .015		PRODUCT SPEC: 108-40018	
2 PLC ± .02		3 PLC ± .03		APPLICATION SPEC: -	
4 PLC ± .04		ANGLES ± .5		SIZE: A1	
MATERIAL: 6		FINISH: 7		WEIGHT: -	
				CUSTOMER DRAWING	
		SCALE: 4:1		SHEET 1 OF 2	
		DRAWING NO: 00779C=5499374		REV: D1	

- ① COORDINATE DIMENSION APPLIES FROM BASIC LOCATION.
- ② 10 AND 14 POSITION SIZES CONTAIN ONLY ONE SLOT FOR SNAP-IN POLARIZER (MILITARY POLARIZATION) LOCATED AS SHOWN.
- ③ 10 POSITION SIZES CONTAIN ONLY ONE SLOT FOR DUAL POLARIZATION, LOCATED AS SHOWN.
- 4. RECOMMENDED PRINTED CIRCUIT BOARD THICKNESS IS 3.18 [.125].
- ⑤ DISTANCE REQUIRED BY EJECTION LATCHES IN THE OPEN POSITION.
- ⑥ MATERIAL: HOUSING & LATCHES: GLASS FILLED NYLON OR POLYESTER, UL94V-0 RATED, SEE TABLE FOR COLOR. POSTS: PH BRZ OR BRASS.
- ⑦ POSTS: GOLD FLASH OVER PALLADIUM-NICKEL PLATE, 0.76 μ m[.000030] MIN TOTAL ON THE LOCALIZED PLATE AREA, 2.54 μ m[.000100] MIN TIN PLATE ON THE SOLDER-TAIL, 1.27 μ m[.000050] MIN NICKEL UNDERPLATE ON THE ENTIRE POST.
 -OR-
 0.76 μ m[.000030] MIN GOLD PLATE ON THE LOCALIZED PLATE AREA, 2.54 μ m[.000100] MIN TIN PLATE ON THE SOLDER-TAIL, 1.27 μ m[.000050] MIN NICKEL UNDERPLATE ON THE ENTIRE POST.
- ⑧ DATUMS -M- & -N- TO BE ESTABLISHED BY CUSTOMER.

		78.74	96.52	90.42	100.58	96.52	86.36		
	BLUE	[3.100]	[3.800]	[3.560]	[3.960]	[3.800]	[3.400]	64	3-5499374-2
	BLUE	[2.900]	[3.600]	[3.360]	[3.760]	[3.600]	[3.200]	60	3-5499374-1
	BLUE	[2.400]	[3.100]	[2.860]	[3.260]	[3.100]	[2.700]	50	3-5499374-0
OBSOLETE	BLUE	[1.900]	[2.600]	[2.360]	[2.760]	[2.600]	[2.200]	40	2-5499374-9
	BLUE	[1.600]	[2.300]	[2.060]	[2.460]	[2.300]	[1.900]	34	2-5499374-8
OBSOLETE	BLUE	[1.200]	[1.900]	[1.660]	[2.060]	[1.900]	[1.500]	26	2-5499374-6
OBSOLETE	BLUE	[.900]	[1.600]	[1.360]	[1.760]	[1.600]	[1.200]	20	2-5499374-4
	BLUE	[.700]	[1.400]	[1.160]	[1.560]	[1.400]	[1.000]	16	2-5499374-3
OBSOLETE	BLACK	[2.900]	[3.600]	[3.360]	[3.760]	[3.600]	[3.200]	60	1-5499374-1
	BLACK	[2.400]	[3.100]	[2.860]	[3.260]	[3.100]	[2.700]	50	1-5499374-0
	BLACK	[1.900]	[2.600]	[2.360]	[2.760]	[2.600]	[2.200]	40	5499374-9
	BLACK	[1.600]	[2.300]	[2.060]	[2.460]	[2.300]	[1.900]	34	5499374-8
	BLACK	[1.200]	[1.900]	[1.660]	[2.060]	[1.900]	[1.500]	26	5499374-6
	BLACK	[1.100]	[1.800]	[1.560]	[1.960]	[1.800]	[1.400]	24	5499374-5
	BLACK	[.900]	[1.600]	[1.360]	[1.760]	[1.600]	[1.200]	20	5499374-4
OBSOLETE	BLACK	[.700]	[1.400]	[1.160]	[1.560]	[1.400]	[1.000]	16	5499374-3
	BLACK	[.600]	[1.300]	[1.060]	[1.460]	[1.300]	[.900]	14	5499374-2
	BLACK	[.400]	[1.100]	[.860]	[1.260]	[1.100]	[.700]	10	5499374-1
HOUSING AND LATCHES COLOR		F	E	D	C	B	A	NO OF POSN	PART NUMBER

THIS DRAWING IS A CONTROLLED DOCUMENT.		DIN L. VAERELA - 01-07-05		DOCKS 5	
DIMENSIONS: INCHES		TOLERANCES UNLESS OTHERWISE SPECIFIED:		APVD S. BOLASH 01-07-05	
0 PLC ± -		1 PLC ± -		NAME M. WALMSLEY	
2 PLC ± -		3 PLC ± 0.13[.005]		PRODUCT SPEC 108-40018	
4 PLC ± -		ANGLES ± -		APPLICATION SPEC	
MATERIAL SEE SHEET 1		FINISH SEE SHEET 1		SIZE CAGE CODE DRAWING NO RESTRICTED TO	
		WEIGHT		A1 00779 5499374	
CUSTOMER DRAWING				SCALE 4:1 SHEET 2 OF 2 REV D1	