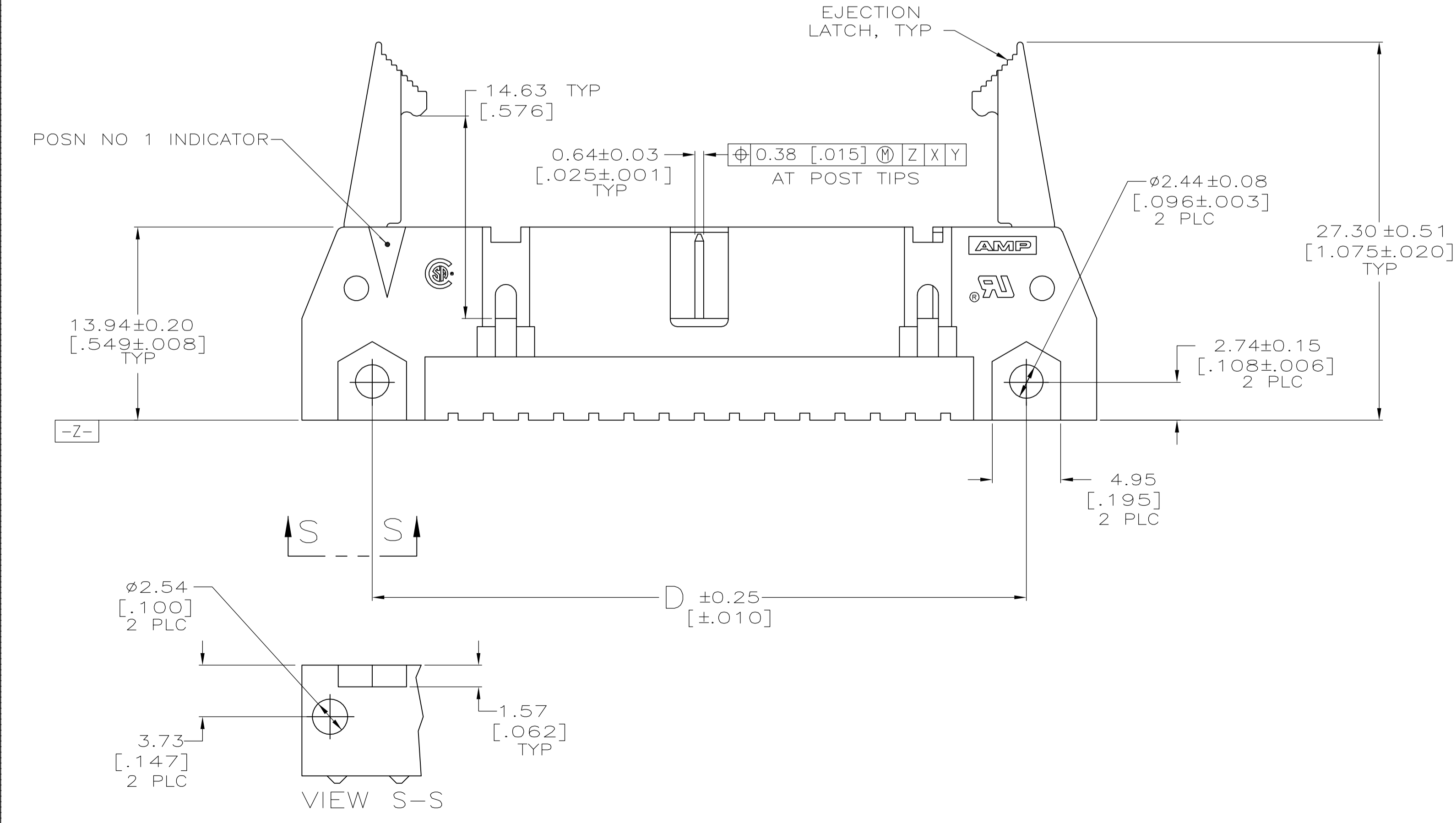
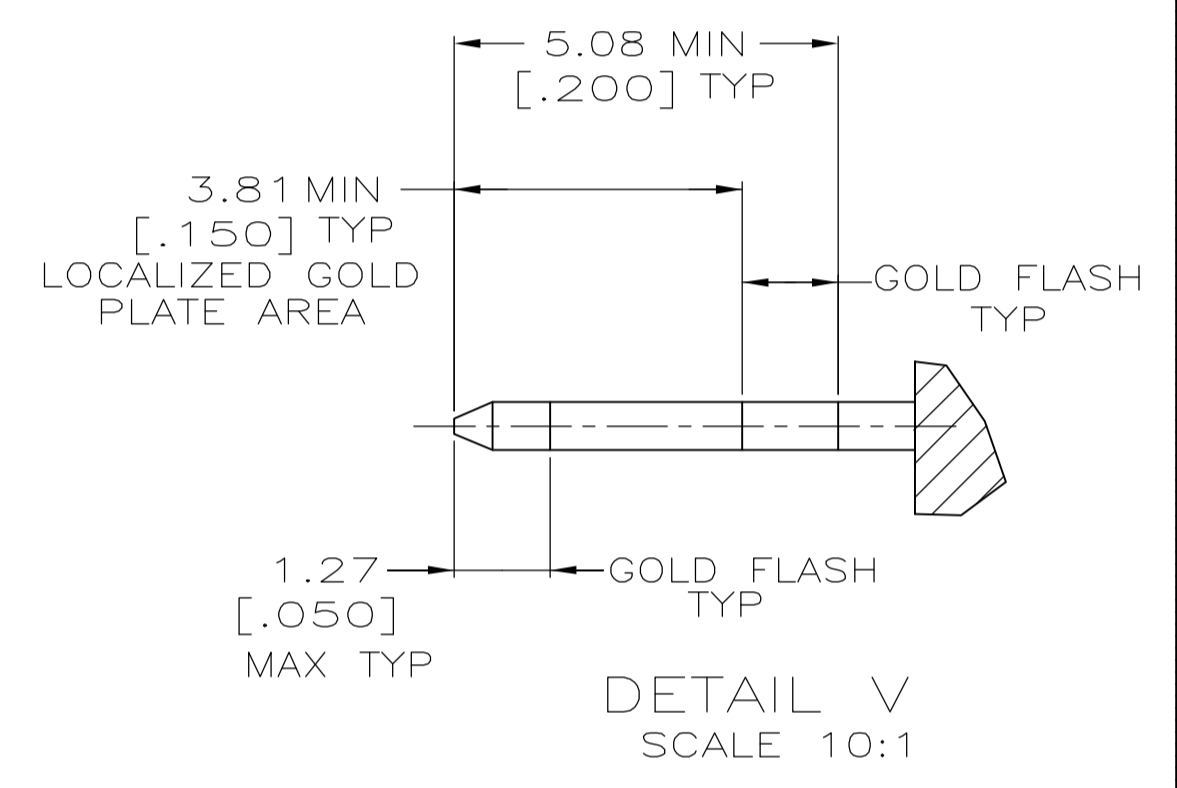
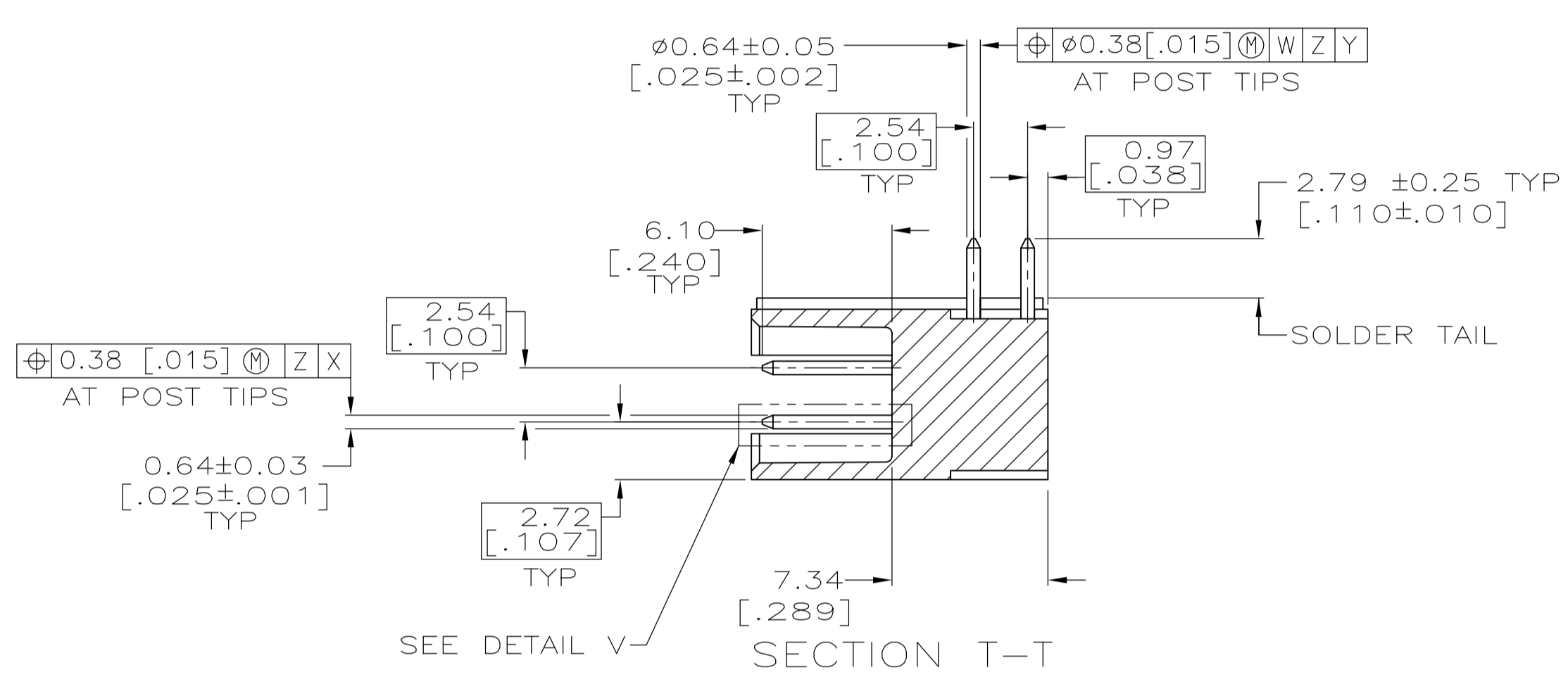
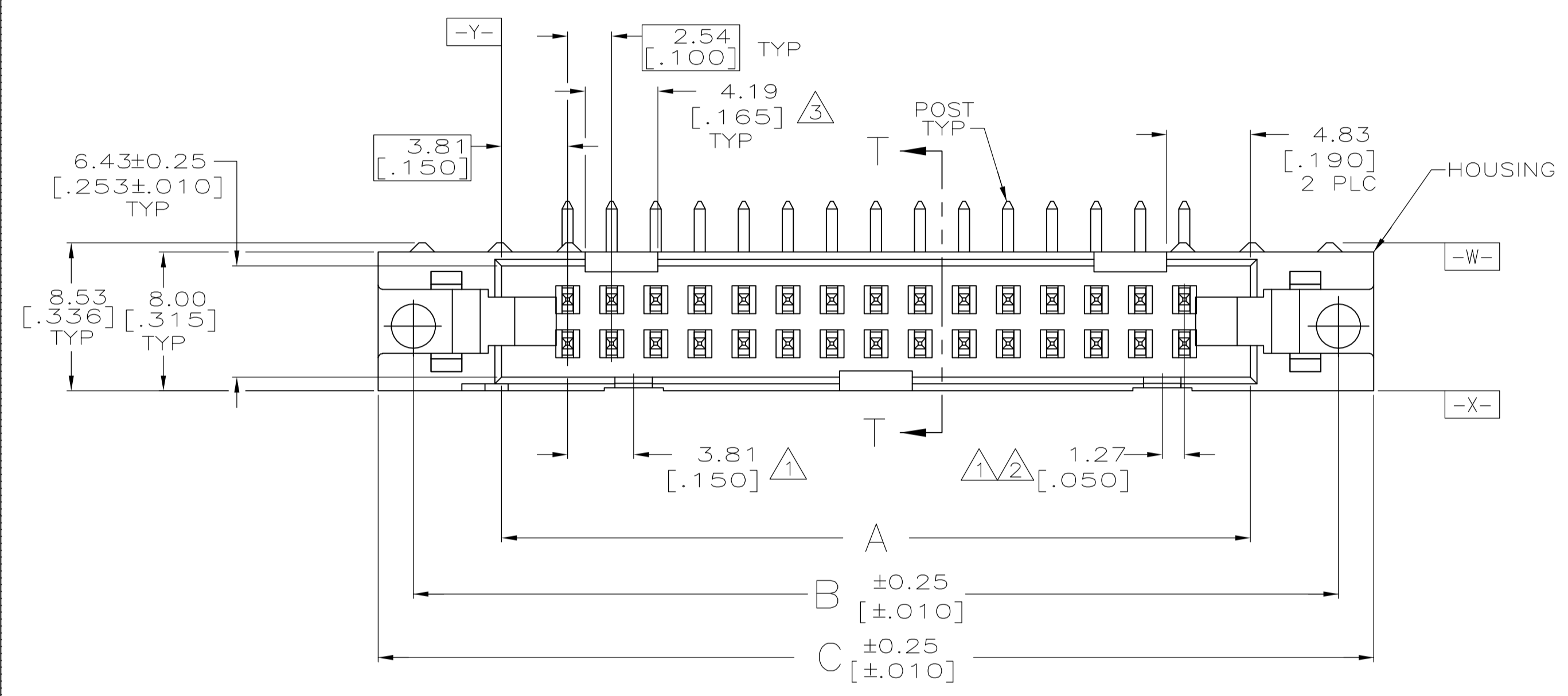


- ① COORDINATE DIMENSION APPLIES FROM BASIC LOCATION.
- ② 10 AND 14 POSITION SIZES CONTAIN ONLY ONE SLOT FOR SNAP-IN POLARIZER (MILITARY POLARIZATION) LOCATED AS SHOWN.
- ③ 10 POSITION SIZES CONTAIN ONLY ONE SLOT FOR DUAL POLARIZATION, LOCATED AS SHOWN.
- 4. RECOMMENDED PRINTED CIRCUIT BOARD THICKNESS IS 1.57 [.062].
- ⑤ DISTANCE REQUIRED BY EJECTION LATCHES IN THE OPEN POSITION.
- ⑥ MATERIAL HOUSING & LATCHES: GLASS FILLED NYLON OR POLYESTER, UL94V-0 RATED BLACK. POSTS: PH BRZ OR BRASS.
- △ FINISH POSTS: 0.38 μm [.000015] MIN GOLD ON LOCALIZED GOLD PLATE AREA, 2.54 μm [.000100] MIN TIN ON SOLDER TAIL, ALL OVER 1.27 μm [.000050] MIN NICKEL ON ENTIRE POST.
- ⑧ DATUMS -M- & -N- TO BE ESTABLISHED BY CUSTOMER.

EJECTION LATCHES OMITTED IN THIS VIEW FOR CLARITY



78.74	90.42	90.42	100.58	96.52	86.36	64	1-5499786-2
[3.100]	[3.560]	[3.560]	[3.960]	[3.800]	[3.400]		
73.66	85.34	85.34	95.50	91.44	81.28	60	1-5499786-1
[2.900]	[3.360]	[3.360]	[3.760]	[3.600]	[3.200]		
60.96	72.64	72.64	82.80	78.74	68.58	50	1-5499786-0
[2.400]	[2.860]	[2.860]	[3.260]	[3.100]	[2.700]		
48.26	59.94	59.94	70.10	66.04	55.88	40	5499786-9
[1.900]	[2.360]	[2.360]	[2.760]	[2.600]	[2.200]		
40.64	52.32	52.32	62.48	58.42	48.26	34	5499786-8
[1.600]	[2.060]	[2.060]	[2.460]	[2.300]	[1.900]		
35.56	47.24	47.24	57.40	53.34	43.18	30	5499786-7
[1.400]	[1.860]	[1.860]	[2.260]	[2.100]	[1.700]		
30.48	42.16	42.16	52.32	48.26	38.10	26	5499786-6
[1.200]	[1.660]	[1.660]	[2.060]	[1.900]	[1.500]		
27.94	39.62	39.62	49.78	45.72	35.56	24	5499786-5
[1.100]	[1.560]	[1.560]	[1.960]	[1.800]	[1.400]		
22.86	34.54	34.54	44.70	40.64	30.48	20	5499786-4
[.900]	[1.360]	[1.360]	[1.760]	[1.600]	[1.200]		
17.78	29.46	29.46	39.62	35.56	25.40	16	5499786-3
[.700]	[1.160]	[1.160]	[1.560]	[1.400]	[1.000]		
15.24	26.92	26.92	37.08	33.02	22.86	14	5499786-2
[.600]	[1.060]	[1.060]	[1.460]	[1.300]	[.900]		
10.16	21.84	21.84	32.00	27.94	17.78	10	5499786-1
[.400]	[.860]	[.860]	[1.260]	[1.100]	[.700]		
F	E	D	C	B	A	NO OF POSN	PART NUMBER

THIS DRAWING IS A CONTROLLED DOCUMENT.		DWN L VARELA - DOCKS 01-07-05		Tyco Electronics Corporation Harrisburg, PA 17105-3608	
DIMENSIONS: mm (INCHES)		CHK S BOLASH 01-07-05		APVD M WALMSLEY 01-07-05	
TOLERANCES UNLESS OTHERWISE SPECIFIED:		PRODUCT SPEC		NAME	
0 PLC ± -		108-40018		HEADER ASSY, UNIVERSAL, AMP-LATCH	
1 PLC ± -		APPLICATION SPEC		SIZE	
2 PLC ± 0.13[.005]		WEIGHT		CAGE CODE	
3 PLC ± -		A1		DRAWING NO	
4 PLC ± -		00779		5499786	
ANGLES ± -		CUSTOMER DRAWING		RESTRICTED TO	
MATERIAL		SCALE 4:1		SHEET 1 OF 1	
FINISH		REV 0			

**COPYRIGHT 2005
 TYCO ELECTRONICS CORP
 ALL RIGHTS RESERVED**