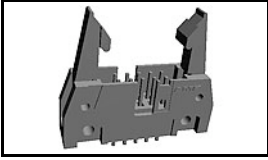


## 5499910-4 Product Details

[Share](#) [Print](#) [Email](#)




**5499910-4**

TE Internal Number: 5499910-4

 Active

[View 3D PDF](#)

### AMP-LATCH Pin and Pinless Headers

 Always EU RoHS/ELV Compliant  
(Statement of Compliance)

#### Product Highlights:

- Header
- Header Type = Universal Ejection Pin Headers
- AMP-LATCH Product Line
- Standard Profile
- 20 Positions

[View all Features](#)

### Quick Links

- ▶ [Pricing & Availability](#)
- ▶ [Search for Tooling](#)
- ▶ [View Mating Products \(5\)](#)
- ▶ [Product Feature Selector](#)
- ▶ [Contact Us About This Product](#)

[Add to My Part List](#)

[Request Sample](#)

[Find Similar Products](#)

[Buy Product](#)

### Documentation & Additional Information

#### Product Drawings:

- [HEADER ASSY, UNIVERSAL, AMP-LATCH](#) (PDF, English)

#### Catalog Pages/Data Sheets:

- [7-1773458-6\\_AMPLATCH\\_QRG](#) (PDF, English)
- [Ribbon Cable Interconnect Solutions](#) (PDF, English)

#### Product Specifications:

- [AMP-LATCH and IDC Header Connectors, .100 x .100 Inc...](#) (PDF, English)

#### Application Specifications:

- None Available

#### Instruction Sheets:

- None Available

#### CAD Files: (CAD Format & Compression Information)

- [2D Drawing](#) (DXF, Version A)
- [3D Model](#) (IGES, Version A)
- [3D Model](#) (STEP, Version A)

[List all Documents](#)

#### Additional Information:

- [Product Line Information](#)

#### Related Products:

- [Tooling](#)
- [Mating Products \(5\)](#)

### Product Features (Please use the Product Drawing for all design activity)

#### Product Type Features:

- Connector Type = Header
- Product Line = AMP-LATCH
- Profile = Standard
- [PCB Mounting Orientation](#) = Vertical
- [PCB Mount Retention](#) = Without
- [Mating Connector Lock](#) = With
- [Ejection Latches](#) = With
- Post Size (mm [in]) = 0.64 [.025]
- Latch Type = Short
- Mating Connector Lock Type = Latch

#### Termination Features:

- [Termination Post Length \(mm \[in\]\)](#) = 2.79 [0.110]

#### Housing Features:

- [Centerline, Matrix \(mm \[in\]\)](#) = 2.54 x 2.54 [.100 x .100]
- [Mating Alignment Type](#) = Center, Dual Polarizing Bar, Military
- [Housing Style](#) = 4-Sided
- Mating Alignment = With
- Housing Material = Thermoplastic - GF
- UL Flammability Rating = UL 94V-0
- Housing Color = Black

#### Configuration Features:

- [Number of Positions](#) = 20
- Shrouded = Yes

#### Industry Standards:

**Dimensions:**

- PCB Thickness, Recommended (mm [in]) = 1.57 [0.062]

**Body Features:**

- [Header Type](#) = Universal Ejection Pin Headers

**Contact Features:**

- [Contact Plating](#), [Mating Area](#), [Material](#) = Gold (15)
- Contact Shape = Square
- Solder Tail Contact Plating = Tin

- [RoHS/ELV Compliance](#) = RoHS compliant, ELV compliant
- [Lead Free Solder Processes](#) = Wave solder capable to 240°C, Wave solder capable to 260°C, Wave solder capable to 265°C
- [RoHS/ELV Compliance History](#) = Always was RoHS compliant

**Conditions for Usage:**

- [Temperature Rating](#) = Standard

**Other:**

- Brand = AMP

**Corporate Information**

[About TE](#)  
[Investors](#)  
[News Room](#)  
[Supplier Portal](#)  
[Careers](#)  
[Terms & Conditions](#)  
[Privacy Policy](#)

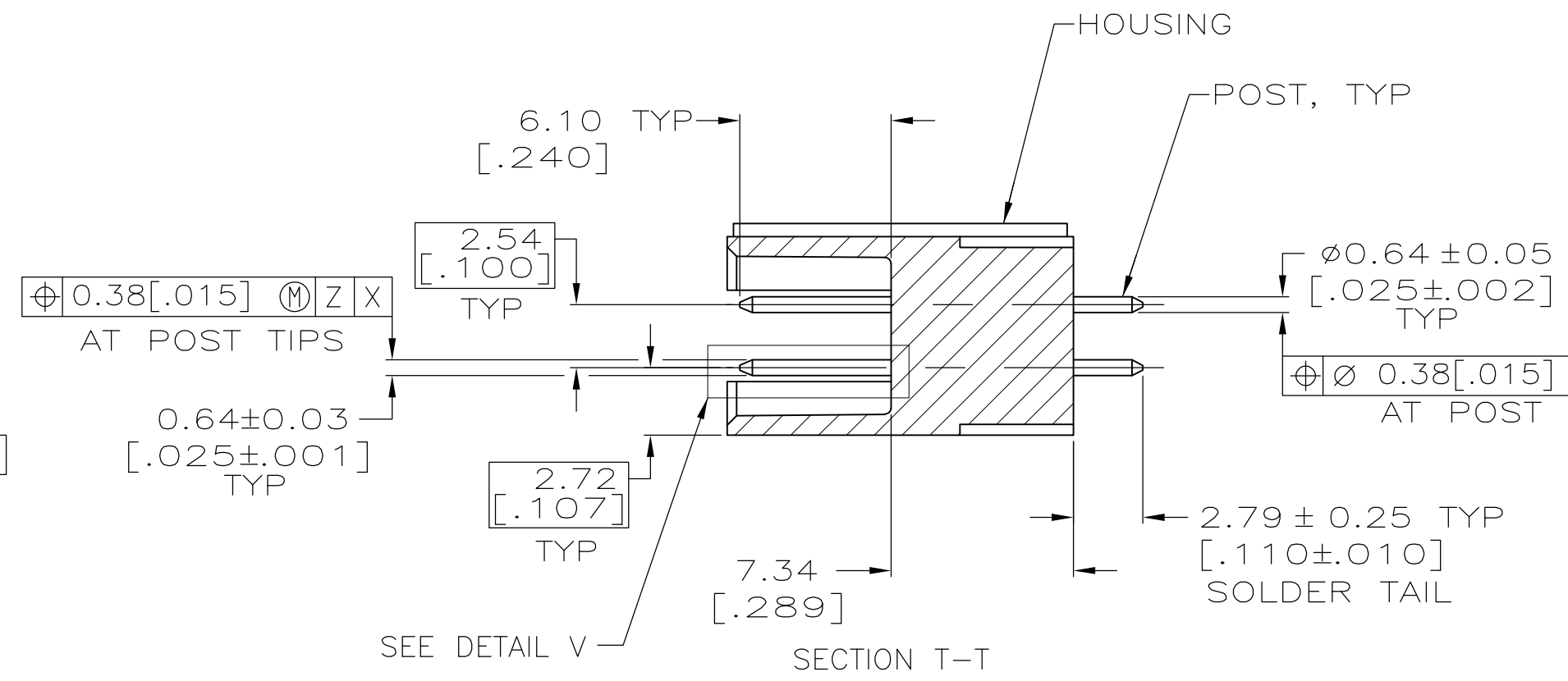
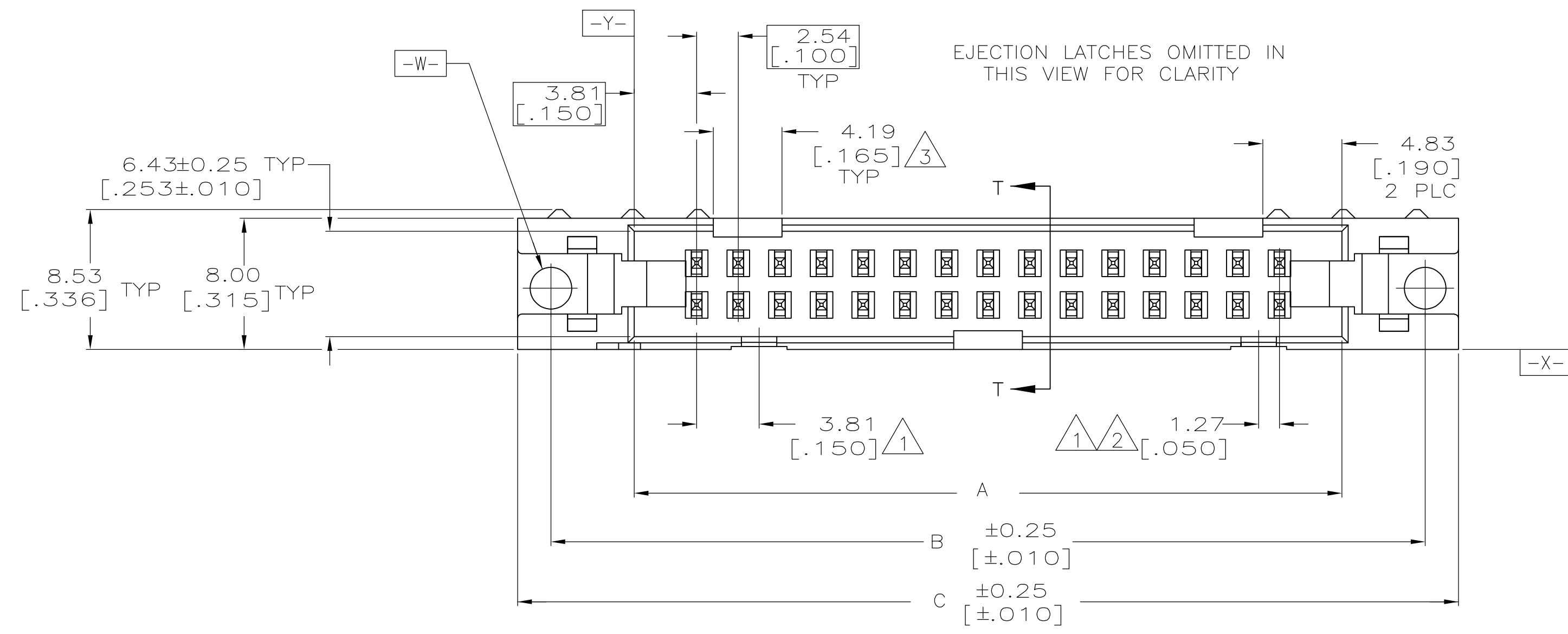
**Quick Links**

[Distributor Inventory](#)  
[Product Cross Reference](#)  
[Documents & Drawings](#)  
[Product Compliance Support Center](#)  
[Site Map](#)

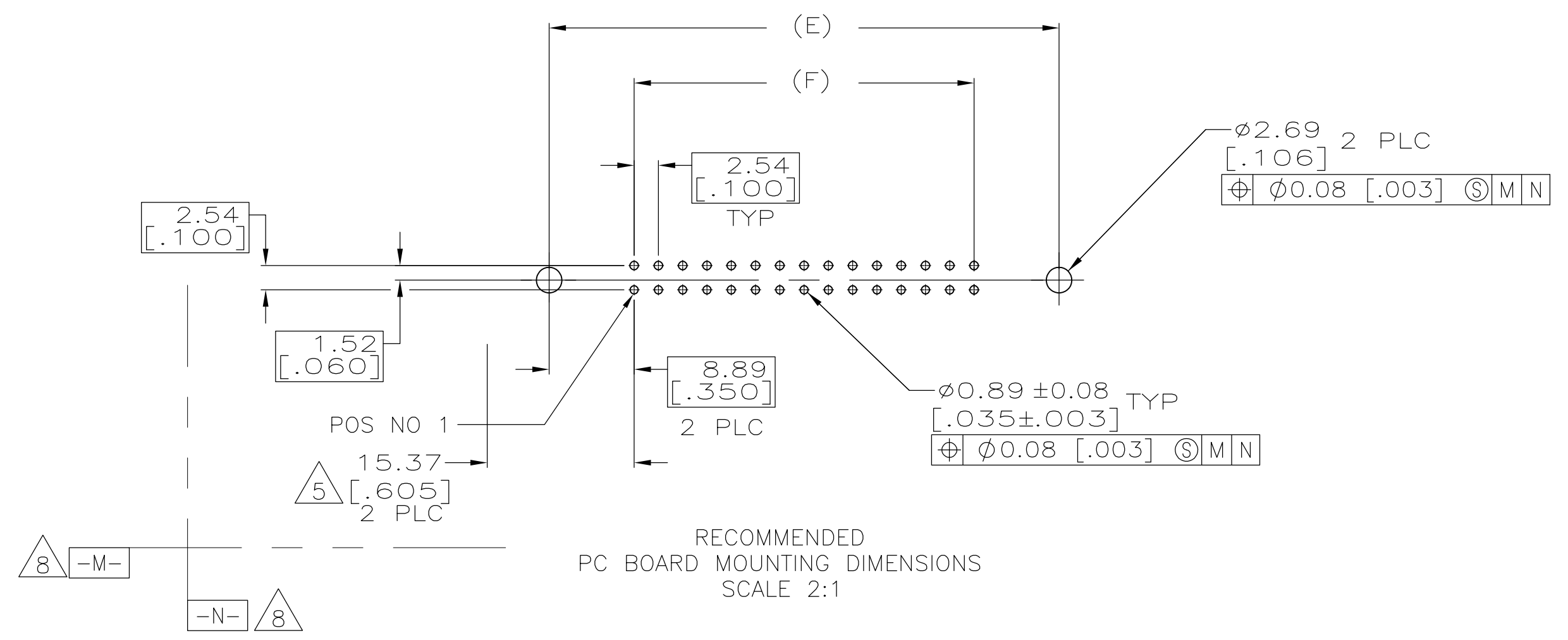
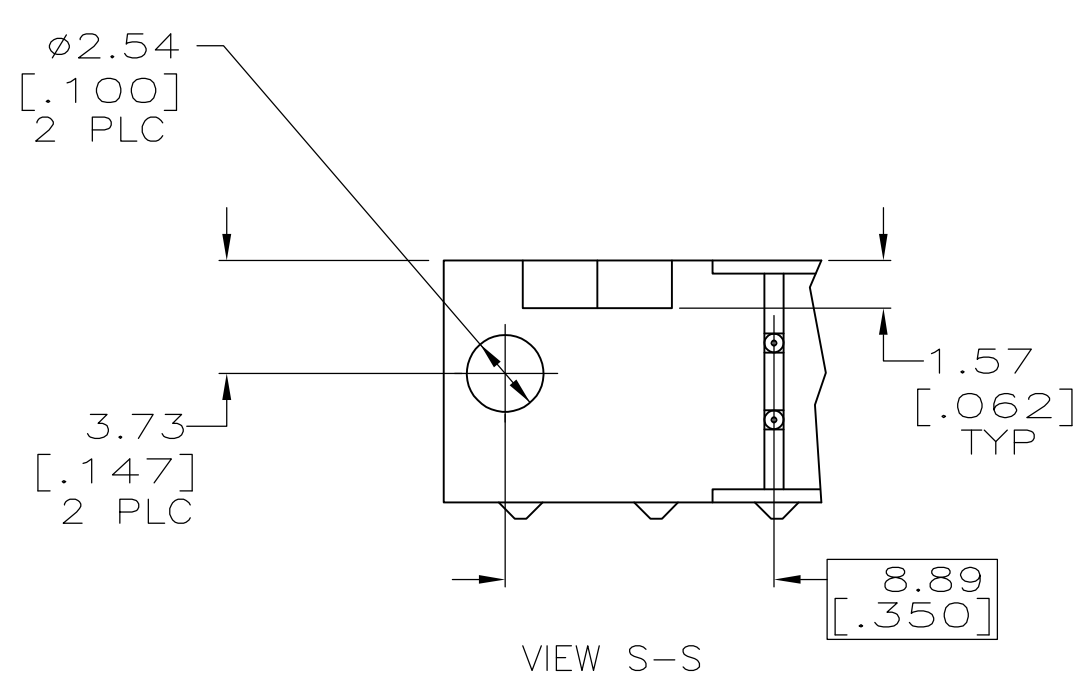
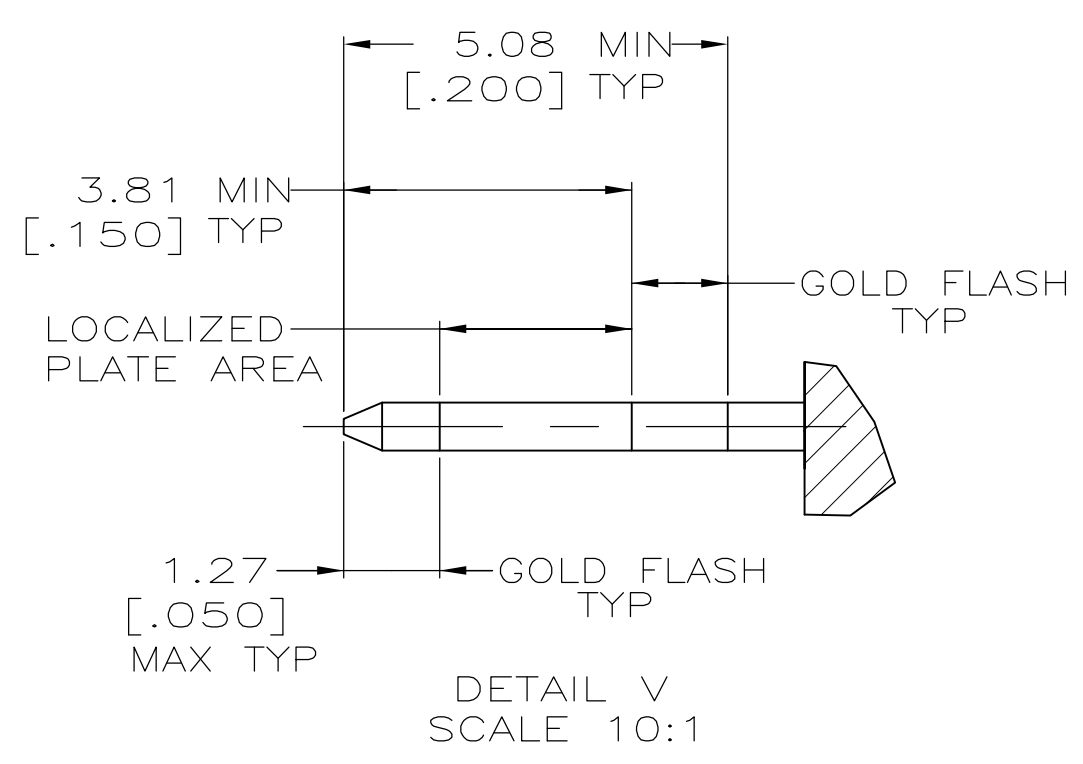
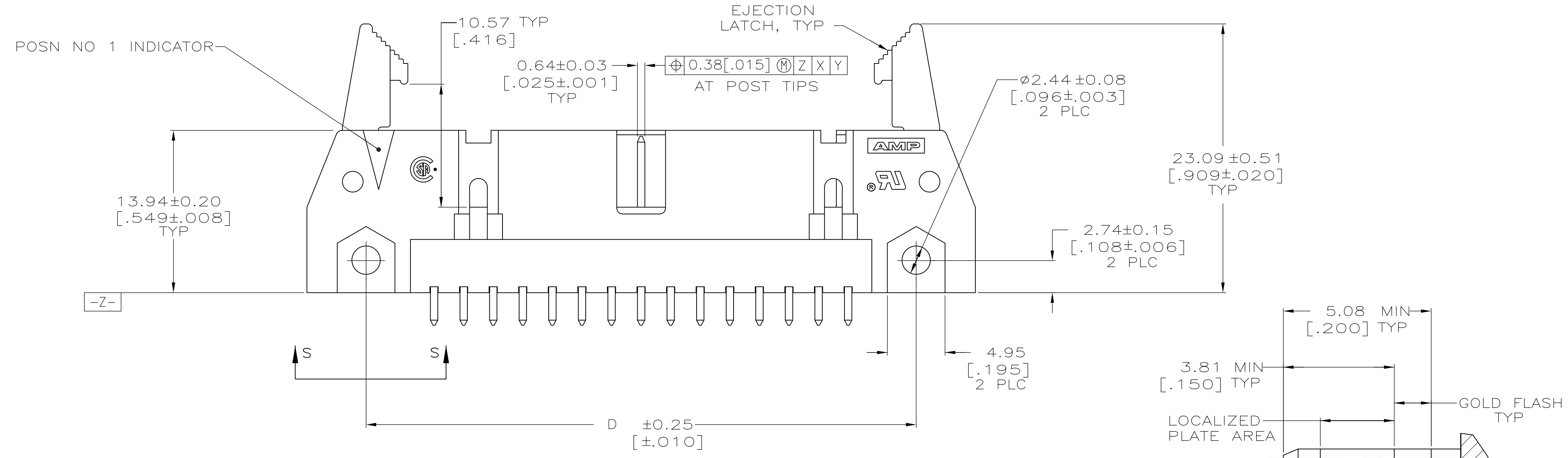
**Customer Support**

[Email or Chat With Us](#)  
[Find a Phone Number](#)  
[Knowledge Base](#)  
[Manage Your Account](#)

**Keep Me Informed**



- 1. COORDINATE DIMENSION APPLIES FROM BASIC LOCATION.
- 2. 10 AND 14 POSITION SIZES CONTAIN ONLY ONE SLOT FOR SNAP-IN POLARIZER (MILITARY POLARIZATION) LOCATED AS SHOWN.
- 3. 10 POSITION SIZES CONTAIN ONLY ONE SLOT FOR DUAL POLARIZATION, LOCATED AS SHOWN.
- 4. RECOMMENDED PRINTED CIRCUIT BOARD THICKNESS IS 1.57 [.062].
- 5. DISTANCE REQUIRED BY EJECTION LATCHES IN THE OPEN POSITION.
- 6. HOUSING & LATCHES: GLASS FILLED NYLON OR POLYESTER, UL94V-0 RATED, BLACK. POSTS: PHOS BRONZE OR BRASS.
- 7. POSTS:  
GOLD FLASH OVER PALLADIUM-NICKEL PLATE, 0.38µm [.000015] MIN TOTAL ON THE LOCALIZED PLATE AREA,  
2.54µm [.000100] MIN TIN PLATE ON THE SOLDER-TAIL,  
1.27µm [.000050] MIN NICKEL UNDERPLATE ON THE ENTIRE POST.  
OR  
0.38µm [.000015] MIN GOLD PLATE ON THE LOCALIZED PLATE AREA,  
2.54µm [.000100] MIN TIN PLATE ON THE SOLDER-TAIL,  
1.27µm [.000050] MIN NICKEL UNDERPLATE ON THE ENTIRE POST.
- 8. DATUMS -M- & -N- TO BE ESTABLISHED BY CUSTOMER.



OBsolete	78.74	96.52	90.42	100.58	96.52	86.36	64	1-5499910-2
	[3.100]	[3.800]	[3.560]	[3.960]	[3.800]	[3.400]		
OBsolete	73.66	91.44	85.34	95.50	91.44	81.28	60	1-5499910-1
	[2.900]	[3.600]	[3.360]	[3.760]	[3.600]	[3.200]		
	60.96	78.74	72.64	82.80	78.74	68.58	50	1-5499910-0
	[2.400]	[3.100]	[2.860]	[3.260]	[3.100]	[2.700]		
	48.26	66.04	59.94	70.10	66.04	55.88	40	5499910-9
	[1.900]	[2.600]	[2.360]	[2.760]	[2.600]	[2.200]		
	40.64	58.42	52.32	62.48	58.42	48.26	34	5499910-8
	[1.600]	[2.300]	[2.060]	[2.460]	[2.300]	[1.900]		
	35.56	53.34	47.24	57.40	53.34	43.18	30	5499910-7
	[1.400]	[2.100]	[1.860]	[2.260]	[2.100]	[1.700]		
	30.48	48.26	42.16	52.32	48.26	38.10	26	5499910-6
	[1.200]	[1.900]	[1.660]	[2.060]	[1.900]	[1.500]		
	27.94	45.72	39.62	49.78	45.72	35.56	24	5499910-5
	[1.100]	[1.800]	[1.560]	[1.960]	[1.800]	[1.400]		
	22.86	40.64	34.54	44.70	40.64	30.48	20	5499910-4
	[.900]	[1.600]	[1.360]	[1.760]	[1.600]	[1.200]		
	17.78	35.56	29.46	39.62	35.56	25.40	16	5499910-3
	[.700]	[1.400]	[1.160]	[1.560]	[1.400]	[1.000]		
	15.24	33.02	26.92	37.08	33.02	22.86	14	5499910-2
	[.600]	[1.300]	[1.060]	[1.460]	[1.300]	[.900]		
	10.16	27.94	21.84	32.00	27.94	17.78	10	5499910-1
	[.400]	[1.100]	[.860]	[1.260]	[1.100]	[.700]		
	F	E	D	C	B	A	NO OF POSN	PART NUMBER

THIS DRAWING IS A CONTROLLED DOCUMENT.

DIN L VARELA - DOCKS 01-11-05  
CHK S BOLASH 01-11-05  
APVD M WALMSLEY 01-11-05

TE Connectivity

NAME: HEADER ASSY, UNIVERSAL, AMP-LATCH

PRODUCT SPEC: 108-40018

APPLICATION SPEC: -

SIZE: A1

WEIGHT: -

CUSTOMER DRAWING

SCALE: 4:1

SHEET: 1 OF 1

REV: C1