



**Have a Question?**  
 Chat with a Product  
 Information Specialist

What can we help you find?

[Products](#) | 
 [Industries](#) | 
 [Resources](#) | 
 [About TE](#) | 
 [My Account](#) | 
 [Innovation](#) | 
 [Support Center](#)

## 5503995-5 Product Details

[Share](#) | 
 [Print](#) | 
 [Email](#)



**5503995-5**

TE Internal Number: 5503995-5

Active

### Fiber Optic Cable Assemblies

Always EU RoHS/ELV Compliant (Statement of Compliance)

#### Product Highlights:

- Duplex Fiber, ST & SC Multimode
- Cable Assembly
- ST Fiber Optic Cable Connector Type
- Fiber Type = OM1 62.5/125 Micron
- Cable Assembly Type = ST-Style (2.5mm Bayonet) to ST-Style (2.5mm Bayonet)

[View all Features](#)

### Quick Links

- ▶ [Pricing & Availability](#)
- ▶ [Search for Tooling](#)
- ▶ [Product Feature Selector](#)
- ▶ [Contact Us About This Product](#)

[Add to My Part List](#) | 
 [Request Sample](#) | 
 [Find Similar Products](#) | 
 [Buy Product](#)

Documentation & Additional Information	
<p><b>Product Drawings:</b></p> <ul style="list-style-type: none"> <li>• <a href="#">CABLE ASSY, FIBER OPTIC, 62.5/125um ZIP RISER, OVERM...</a> (PDF, English)</li> </ul> <p><b>Catalog Pages/Data Sheets:</b></p> <ul style="list-style-type: none"> <li>• None Available</li> </ul> <p><b>Product Specifications:</b></p> <ul style="list-style-type: none"> <li>• None Available</li> </ul> <p><b>Application Specifications:</b></p> <ul style="list-style-type: none"> <li>• None Available</li> </ul> <p><b>Instruction Sheets:</b></p> <ul style="list-style-type: none"> <li>• None Available</li> </ul> <p><b>CAD Files:</b></p> <ul style="list-style-type: none"> <li>• None Available</li> </ul>	<p><b>Related Products:</b></p> <ul style="list-style-type: none"> <li>• <a href="#">Tooling</a></li> </ul>

[List all Documents](#)

Product Features (Please use the Product Drawing for all design activity)	
<p><b>Product Type Features:</b></p> <ul style="list-style-type: none"> <li>• <a href="#">Product Designation</a> = Duplex Fiber, ST &amp; SC Multimode</li> <li>• Product Type = Cable Assembly</li> <li>• <a href="#">Fiber Optic Cable Connector Type</a> = ST</li> <li>• Cable Assembly Type = ST-Style (2.5mm Bayonet) to ST-Style (2.5mm Bayonet)</li> <li>• Cable Type = Twin Zip</li> <li>• Coupling Nut Material = Zinc</li> </ul> <p><b>Termination Features:</b></p> <ul style="list-style-type: none"> <li>• <a href="#">Fiber Type (Micron)</a> = OM1 62.5/125</li> </ul> <p><b>Dimensions:</b></p> <ul style="list-style-type: none"> <li>• Cable Diameter (mm [in]) = 3.00 [.118]</li> <li>• Length (M [ft]) = 10.00 [32.80]</li> </ul> <p><b>Body Features:</b></p> <ul style="list-style-type: none"> <li>• Cable Color = Orange</li> <li>• Boot Body Style - Left = Standard</li> <li>• Boot Color - Left = Black</li> <li>• Boot Body Style - Right = Standard</li> <li>• Boot Color - Right = Black</li> <li>• Ferrule Material = Ceramic</li> </ul>	<p><b>Contact Features:</b></p> <ul style="list-style-type: none"> <li>• Fibre Channel = No</li> </ul> <p><b>Configuration Features:</b></p> <ul style="list-style-type: none"> <li>• <a href="#">Mode</a> = Multimode</li> <li>• Number of Fibers = 2</li> <li>• <a href="#">Cable Buffering</a> = Tight Buffered</li> <li>• Connector(s) Exit Angle to Connector(s) Exit Angle = 180° to 180°</li> </ul> <p><b>Industry Standards:</b></p> <ul style="list-style-type: none"> <li>• <a href="#">Flammability Rating Type</a> = OFNR (Riser) Jacket</li> <li>• <a href="#">RoHS/ELV Compliance</a> = RoHS compliant, ELV compliant</li> <li>• <a href="#">Lead Free Solder Processes</a> = Not relevant for lead free process</li> <li>• RoHS/ELV Compliance History = Always was RoHS compliant</li> </ul> <p><b>Product Availability:</b></p> <ul style="list-style-type: none"> <li>• Region = Asia, North America, Latin America</li> </ul> <p><b>Other:</b></p> <ul style="list-style-type: none"> <li>• Brand = TE Connectivity</li> </ul>

### Corporate Information

[About TE](#)  
[Investors](#)  
[News Room](#)

### Quick Links

[Distributor Inventory](#)  
[Product Cross Reference](#)  
[Documents & Drawings](#)

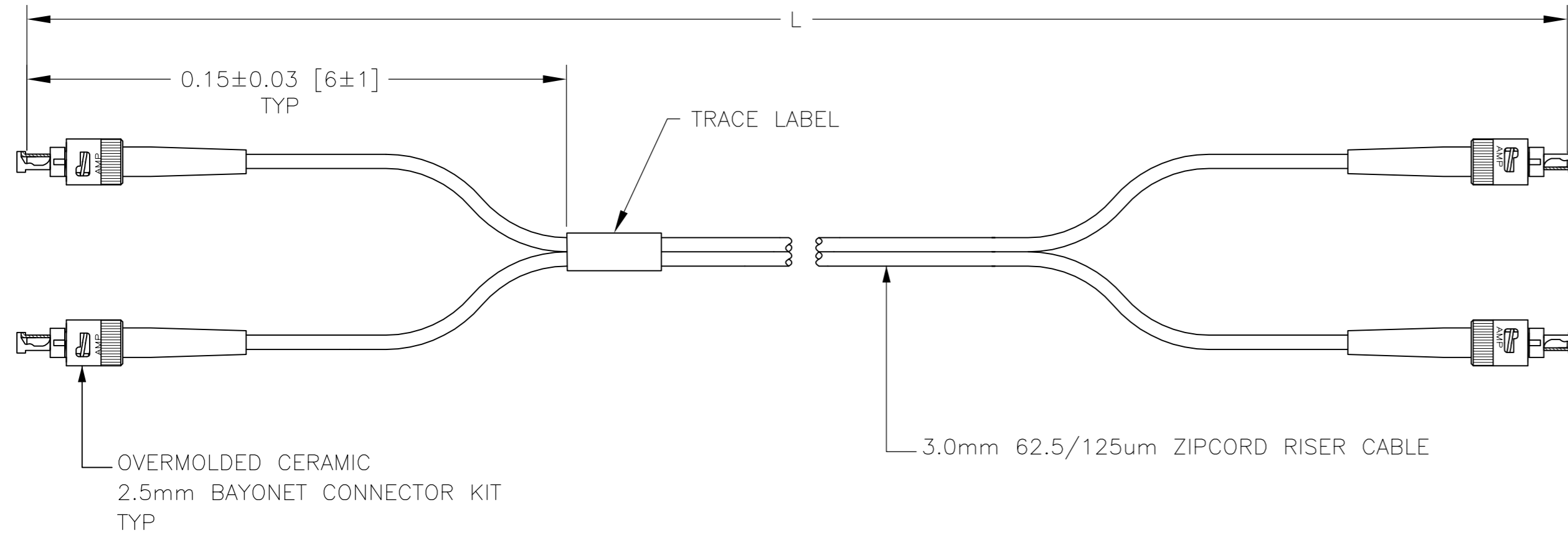
### Customer Support

[Email or Chat With Us](#)  
[Find a Phone Number](#)  
[Knowledge Base](#)

THIS DRAWING IS UNPUBLISHED. RELEASED FOR PUBLICATION  
 © COPYRIGHT - By - ALL RIGHTS RESERVED.

LOC	DIST	REVISIONS					
		P	LTR	DESCRIPTION	DATE	DWN	APVD
CE	16	A2		REVISED PER ECO-11-005139	25MAR11	RK	HMR

- 1. MAXIMUM INSERTION LOSS IS 0.5dB PLUS CABLE ATTENUATION OF 1.5dB/km AT 1300nm. (SEE TABLE)
- 2. PRODUCT AND PROCESSING MUST MEET REQUIREMENTS OF TE CONNECTIVITY STANDARD 230-702



0.63	91.00±0.91 [3582.6±35.8]	9-5503995-1
0.58	50.0±0.50 [1969.0±20.00]	5-5503995-0
0.55	30.0±0.30 [1181.0±12.00]	3-5503995-0
0.80	200.0±2.00 [7874.0±79.0]	2-5503995-2
0.53	20.0±0.30 [787.0±12.00]	2-5503995-1
0.51	4.00±0.08 [157.5±3.00]	2-5503995-0
0.53	18.29±0.30 [720.00±12.00]	1-5503995-9
0.52	14±0.15 [551±6]	1-5503995-8
0.52	13±0.15 [512±6]	1-5503995-7
0.52	11±0.15 [433±6]	1-5503995-6
0.52	15.24±0.30 [600±12]	1-5503995-5
0.52	12.19±0.15 [480±6]	1-5503995-4
0.51	7.92±0.15 [312±6]	1-5503995-3
0.51	6.10±0.08 [240.0±3.0]	1-5503995-2
0.50	3.66±0.08 [144.0±3.0]	1-5503995-1
0.50	1.22±0.05 [48.0±2.0]	1-5503995-0
0.50	0.91±0.05 [36.0±2.0]	5503995-9
0.50	0.61±0.03 [24.0±1.0]	5503995-8
0.51	0.30±0.03 [12.0±1.0]	5503995-7
0.51	7.5±0.08 [295±3]	5503995-6
0.51	10±0.15 [394±6]	5503995-5
0.51	5±0.08 [197±3]	5503995-4
0.50	3±0.05 [118±2]	5503995-3
0.50	2±0.05 [79±2]	5503995-2
0.50	1±0.05 [39±2]	5503995-1
MAX IL (dB)	L METERS [INCHES]	PART NUMBER

THIS DRAWING IS A CONTROLLED DOCUMENT.		DWN C.S.VASU 14 NOV 05	<b>TE</b> TE Connectivity	
DIMENSIONS: METERS[INCHES]		CHK J.DUNCAN 14 NOV 05		
TOLERANCES UNLESS OTHERWISE SPECIFIED:		APVD J.DUNCAN 14 NOV 05	NAME	
0 PLC ± -		PRODUCT SPEC	CABLE ASSY, FIBER OPTIC, 62.5/125um ZIP RISER, OVERMOLDED CERAMIC 2.5mm BAYONET, OPTIMATE	
1 PLC ± -		APPLICATION SPEC	SIZE	RESTRICTED TO
2 PLC ± -		WEIGHT	CAGE CODE	
3 PLC ± -			DRAWING NO	
4 PLC ± -			SCALE	
ANGLES ± -			REV	
FINISH				
MATERIAL		CUSTOMER DRAWING	A2 00779 C=5503995	
			SHEET 1 OF 1	