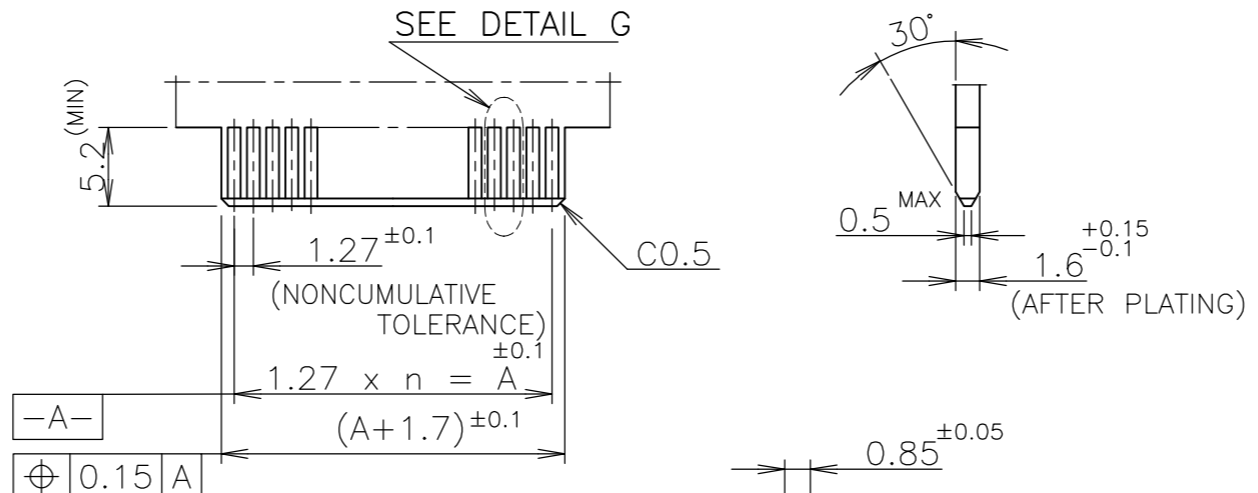
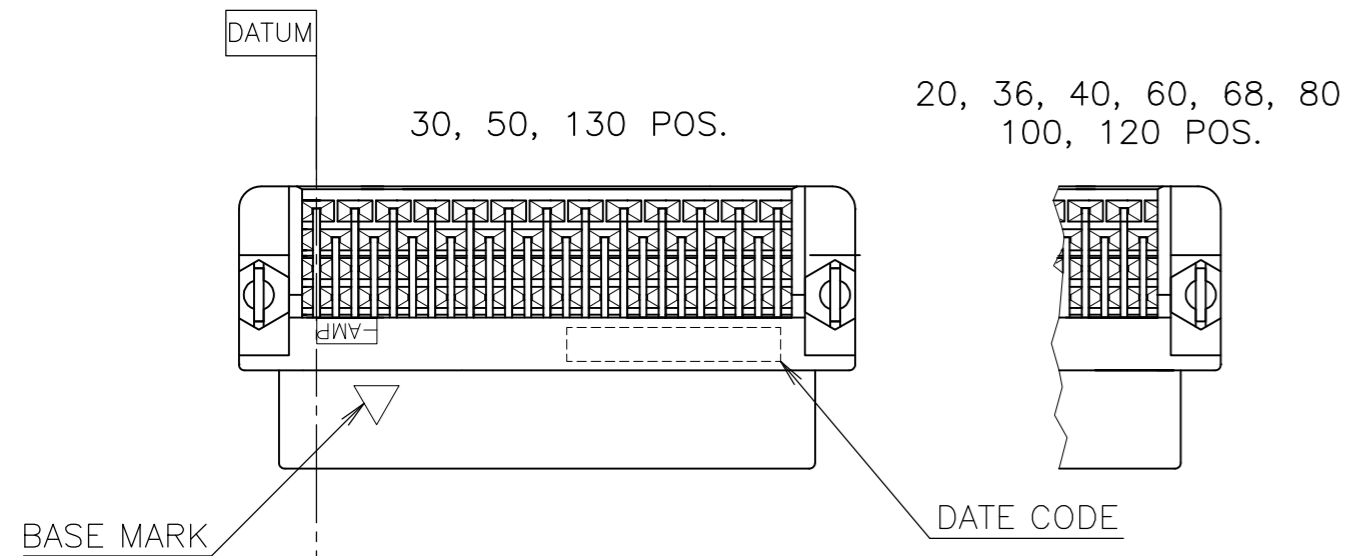
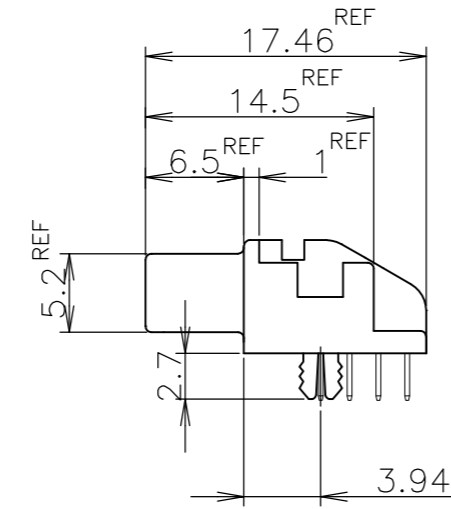
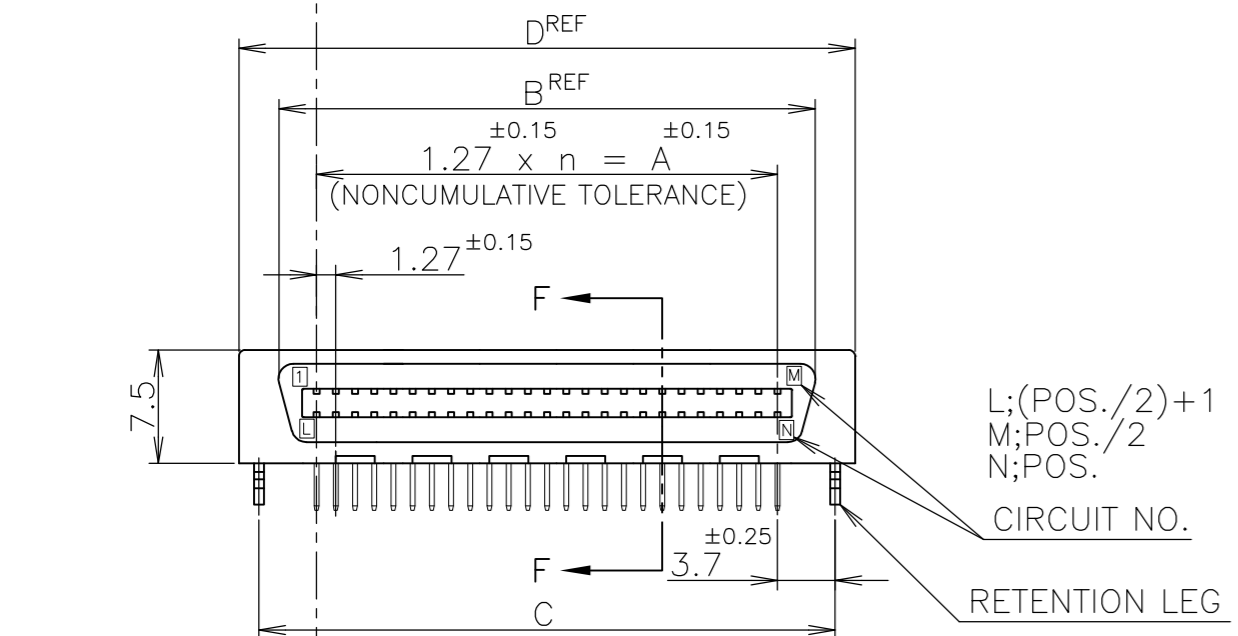


THIS DRAWING IS UNPUBLISHED. RELEASED FOR PUBLICATION OCT., 1988.
 © COPYRIGHT 1988 By - ALL RIGHTS RESERVED.

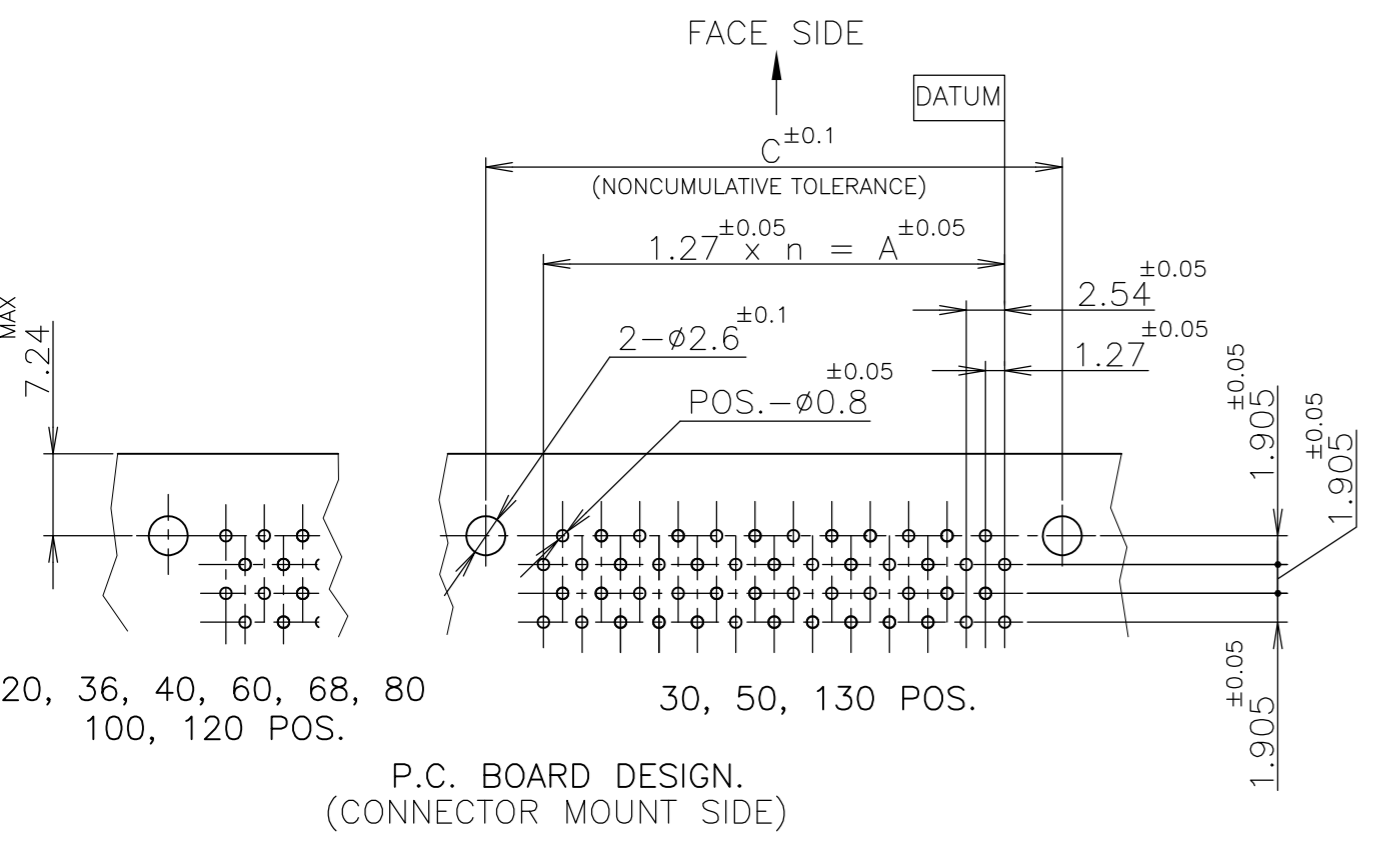
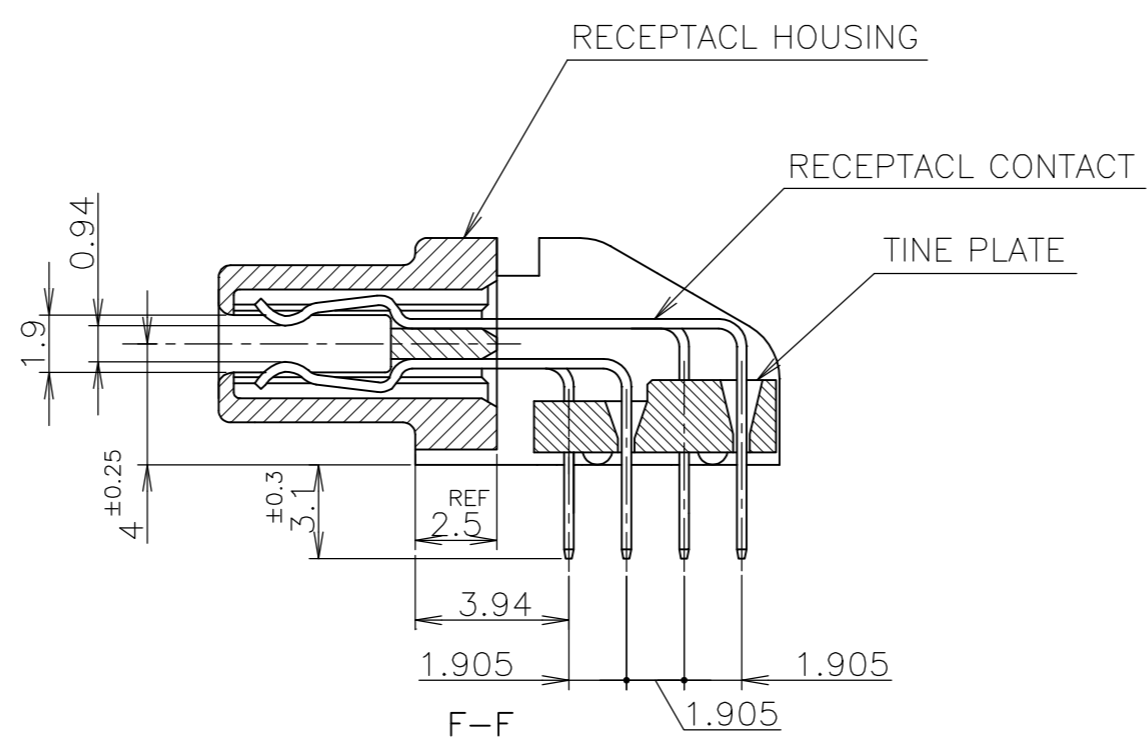
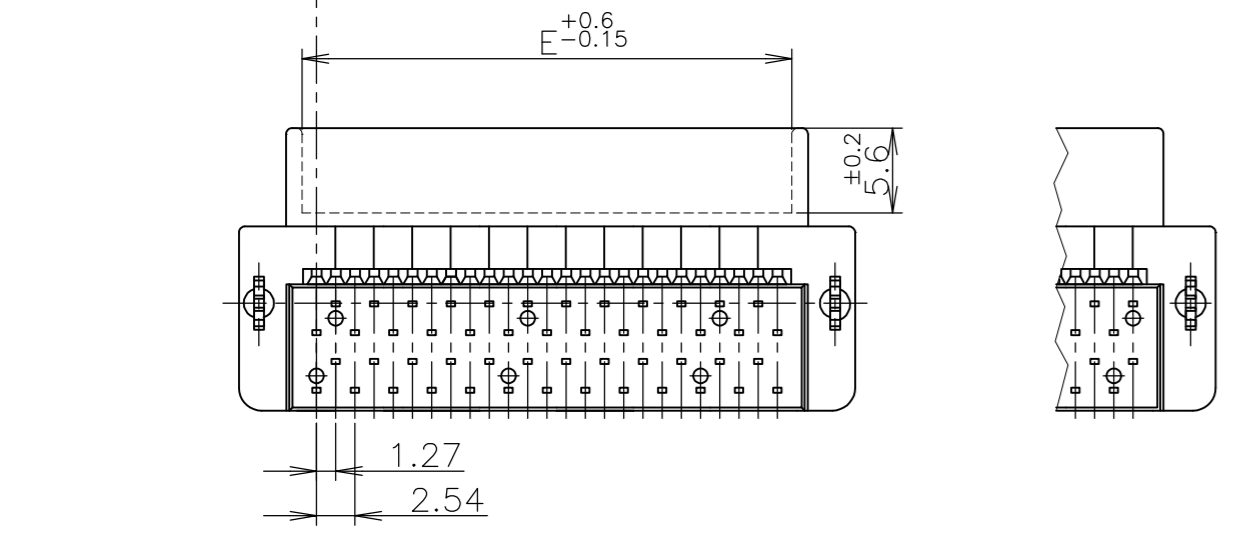
LOC		DIST		REVISIONS				
ES	00	P	LTR	DESCRIPTION	DATE	DWN	APVD	
		P		REVISED PER ECO-11-005033	26MAR11	RK	HMR	



- 1 NUMBER "n" IS COUNTED FROM DATUM (CIRCUIT NO.1 IS "AMP" MARK SIDE.)
- 2 MATERIAL: HOUSING, 66 NYLON (GF) UL 94V-0, BLACK.
: CONTACT, PHOSPHOR BRONZE.
: RETENTION LEG; BRASS.
- 3 FINISH: CONTACT; Au AT CONTACT AREA (SEE TABLE),
TIN AT TINE, OVER Ni.
RETENTION LEG; TIN UNDER Ni.
- 4 P.C. BOARD THK MUST BE 1.6 ±0.15 FOR CARD EDGE CONNECTOR



DETAIL G
RECOMMENDED P.C. BOARD DIMENSIONS.



LEAD FREE

GENERAL TOLERANCE
10 ≥ ±0.2
30 ≥ > 10: ±0.25
100 ≥ > 30: ±0.3
ANGLES: ±3°

6-	-2		130	64	81.28	86.82	88.68	92.48	83.18
6-	-1		120	59	74.93	80.47	82.33	86.13	76.83
6-	-0		100	49	62.23	67.77	69.63	73.43	64.13
5-	-9		80	39	49.53	55.07	56.93	60.73	51.43
5-	-8		68	33	41.91	47.45	49.31	53.11	43.81
5-	-7		60	29	36.83	42.37	44.23	48.03	38.73
5-	-6		50	24	30.48	36.02	37.88	41.68	32.38
5-	-5		40	19	24.13	29.67	31.53	35.33	26.03
5-	-3		30	14	17.78	23.32	25.18	28.98	19.68
5-	-1	0.00076	20	9	11.43	16.97	18.83	22.63	13.33
4-	-2		130	64	81.28	86.82	88.68	92.48	83.18
4-	-1		120	59	74.93	80.47	82.33	86.13	76.83
4-	-0		100	49	62.23	67.77	69.63	73.43	64.13
3-	-9		80	39	49.53	55.07	56.93	60.73	51.43
3-	-8		68	33	41.91	47.45	49.31	53.11	43.81
3-	-7		60	29	36.83	42.37	44.23	48.03	38.73
3-	-6		50	24	30.48	36.02	37.88	41.68	32.38
3-	-5		40	19	24.13	29.67	31.53	35.33	26.03
3-	-3		30	14	17.78	23.32	25.18	28.98	19.68
3-	-1	0.0005	20	9	11.43	16.97	18.83	22.63	13.33
1-	-2		130	64	81.28	86.82	88.68	92.48	83.18
1-	-1		120	59	74.93	80.47	82.33	86.13	76.83
1-	-0		100	49	62.23	67.77	69.63	73.43	64.13
	-9		80	39	49.53	55.07	56.93	60.73	51.43
	-8		68	33	41.91	47.45	49.31	53.11	43.81
	-7		60	29	36.83	42.37	44.23	48.03	38.73
	-6		50	24	30.48	36.02	37.88	41.68	32.38
	-5		40	19	24.13	29.67	31.53	35.33	26.03
	-4		36	17	21.59	27.13	28.99	32.79	23.49
	-3		30	14	17.78	23.32	25.18	28.98	19.68
5175474-1		0.0002	20	9	11.43	16.97	18.83	22.63	13.33
PART NO.	Au PLATE	POS.	n	A	B	C	D	E	

THIS DRAWING IS A CONTROLLED DOCUMENT.

DWN S.ISHIKAWA 13OCT88
CHK Steven Yao 19AUG2004
APVD Julyee Zhu 19AUG2004

TE Connectivity

AMP CHAMP .050 CONNECTOR (B-T-B)
RECEPTACLE CONNECTOR
(HORIZONTAL WITH RETENTION LEG)

108-60038
APPLICATION SPEC

SIZE A2 CAGE CODE 00779 DRAWING NO. C=5175474 RESTRICTED TO

WEIGHT CUSTOMER DRAWING SCALE NTS SHEET 1 of 1 REV P