

Distributed by:

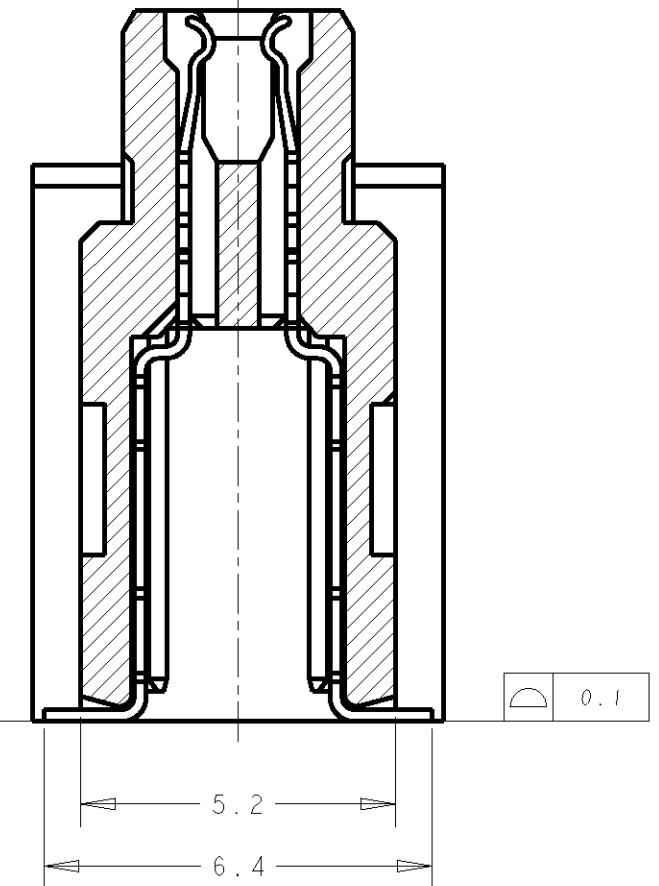
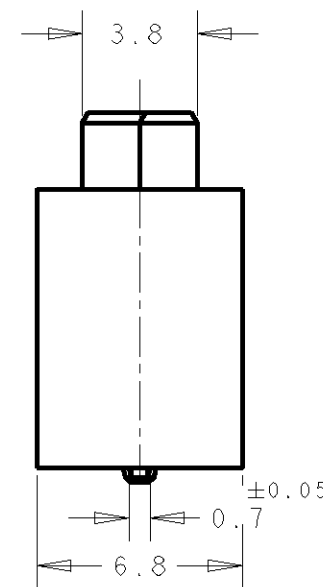
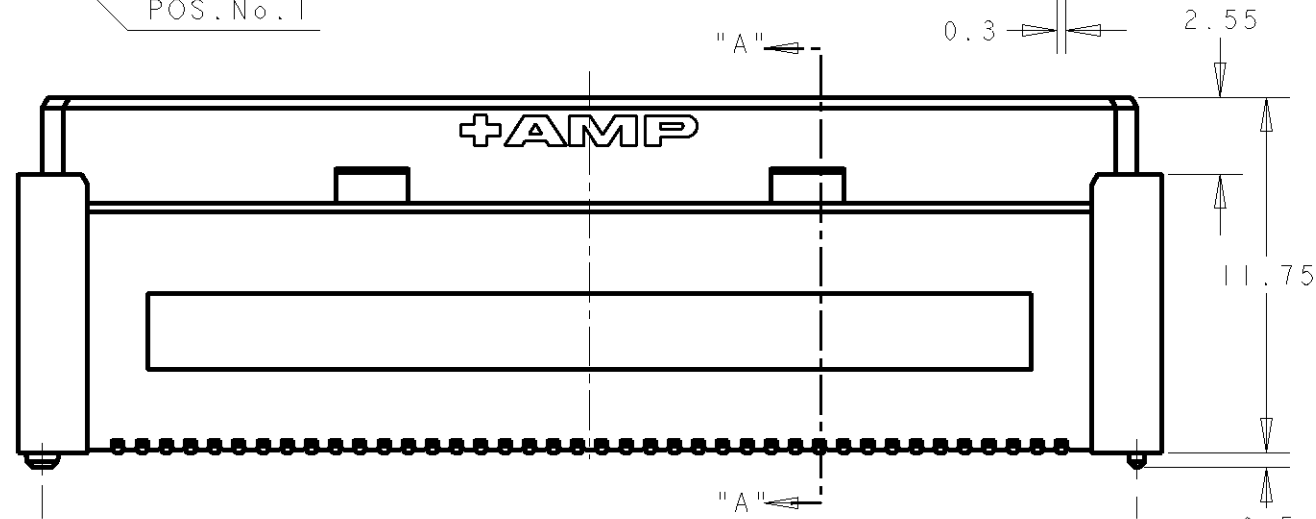
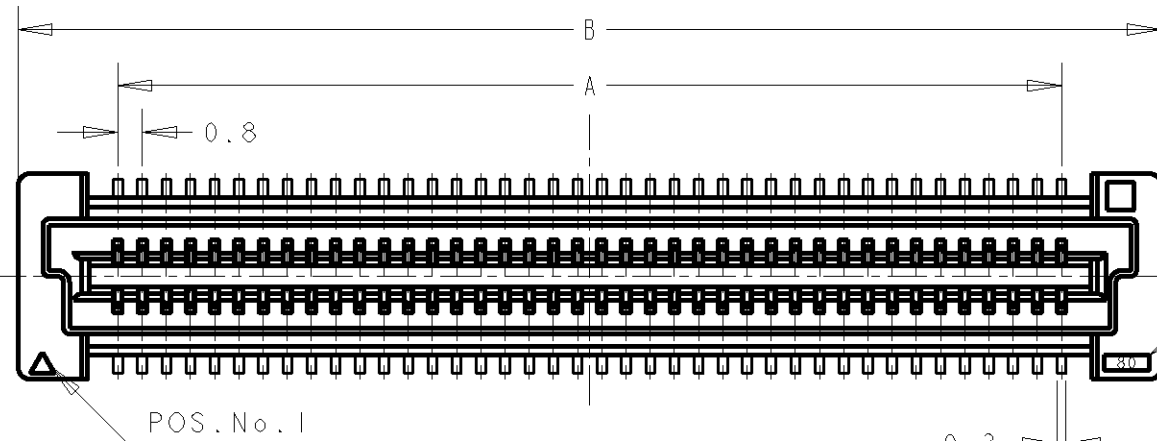
JAMECO[®]
ELECTRONICS

www.Jameco.com ♦ 1-800-831-4242

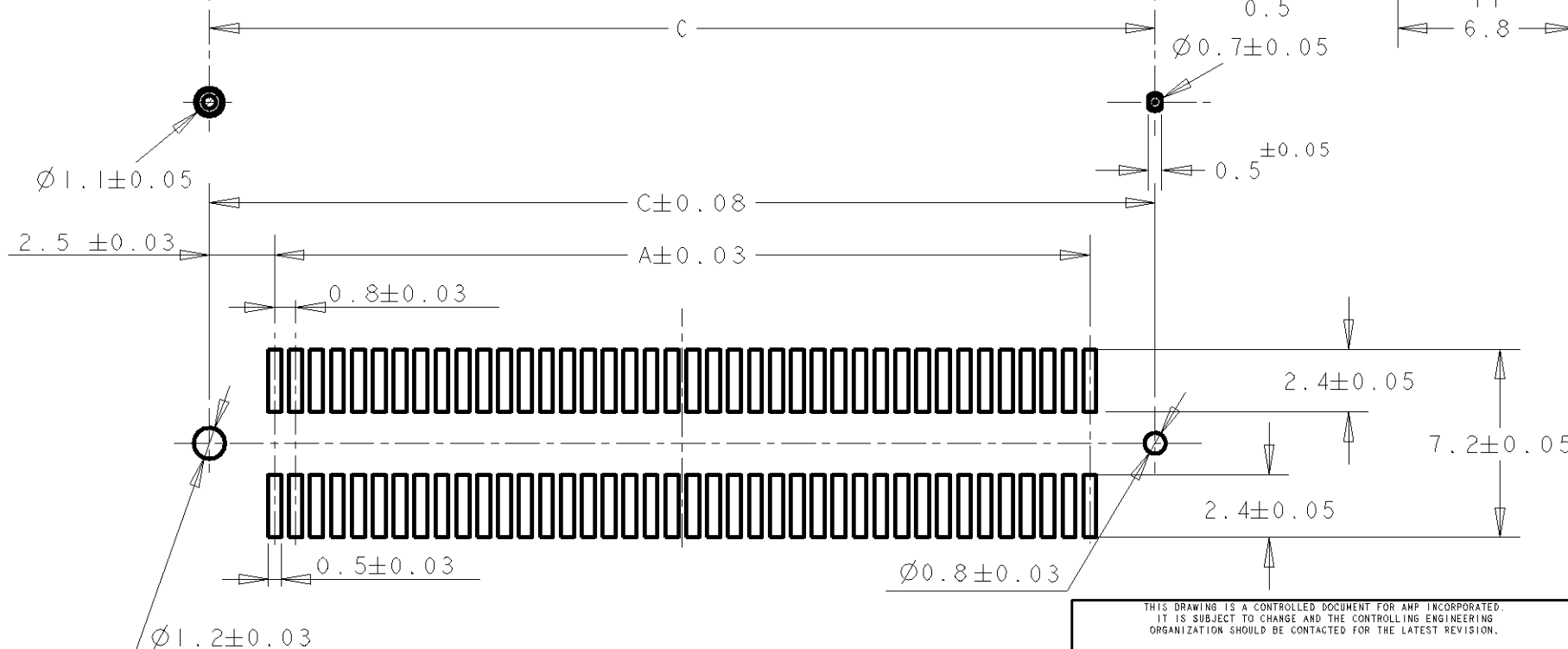
The content and copyrights of the attached
material are the property of its owner.

Jameco Part Number 753192

| LOC | DIST | REVISIONS | | | |
|-----|------|--------------------------|---------|-----|------|
| P | LTR | DESCRIPTION | DATE | DWN | APVD |
| DY | - | 02 REVISED ECR-06-012123 | 19MAY06 | SYJ | LSF |



SECT "A"-"A"
(SCALE:8-1)



RECOMMENDED P.C. BOARD LAYOUT

NOTES:

- MATERIAL; HOUSING: L.C.P (HIGH TEMP THERMO PLASTIC)
UL 94V-0, NATURAL.
CONTACT: BERYLIUM COPPER.
- FINISH; CONTACT AREA: 0.0002 MIN GOLD ON
0.0013 MIN ALL OVER NICKEL.
SOLDERING AREA: 0.002 MIN MATTE TIN
- POSITION SERIES; SEE TABLE. (SHEET 2)
- CONN STACK HEIGHT COMBINE OF PLUG "Y" H VS REC "X" H.
STACK HEIGHT = Y + X - 5

| | | | | |
|---|--|-------------------------------|--|--|
| THIS DRAWING IS A CONTROLLED DOCUMENT FOR AMP INCORPORATED. IT IS SUBJECT TO CHANGE AND THE CONTROLLING ENGINEERING ORGANIZATION SHOULD BE CONTACTED FOR THE LATEST REVISION. | | DWN FLORENCE 16AUG04 | Tyco Electronics (Singapore) Pte. Ltd. | |
| DIMENSIONS: mm | | CHK ERIC TNG | NAME RECEPTACLE ASSEMBLY 13H TYPE FOR FH 0.8mm PITCH B-T-B CONNECTOR | |
| TOLERANCES UNLESS OTHERWISE SPECIFIED: | | APVD SF JFONG | PRODUCT SPEC 108-5390 | |
| 0 PLC ± | | PRODUCT SPEC | APPLICATION SPEC | |
| 1 PLC ±0.20 | | - | | |
| 2 PLC ±0.25 | | WEIGHT | | |
| 3 PLC ±0.30 | | - | | |
| 4 PLC ± | | - | | |
| ANGLES ±3° | | CUSTOMER DRAWING | | |
| MATERIAL | | SIZE A3 | | |
| FINISH | | CAGE CODE 00779 | | |
| △ | | DRAWING NO C-5179010 | | |
| △ | | SCALE 4:1 SHEET 1 OF 2 REV 02 | | |

4

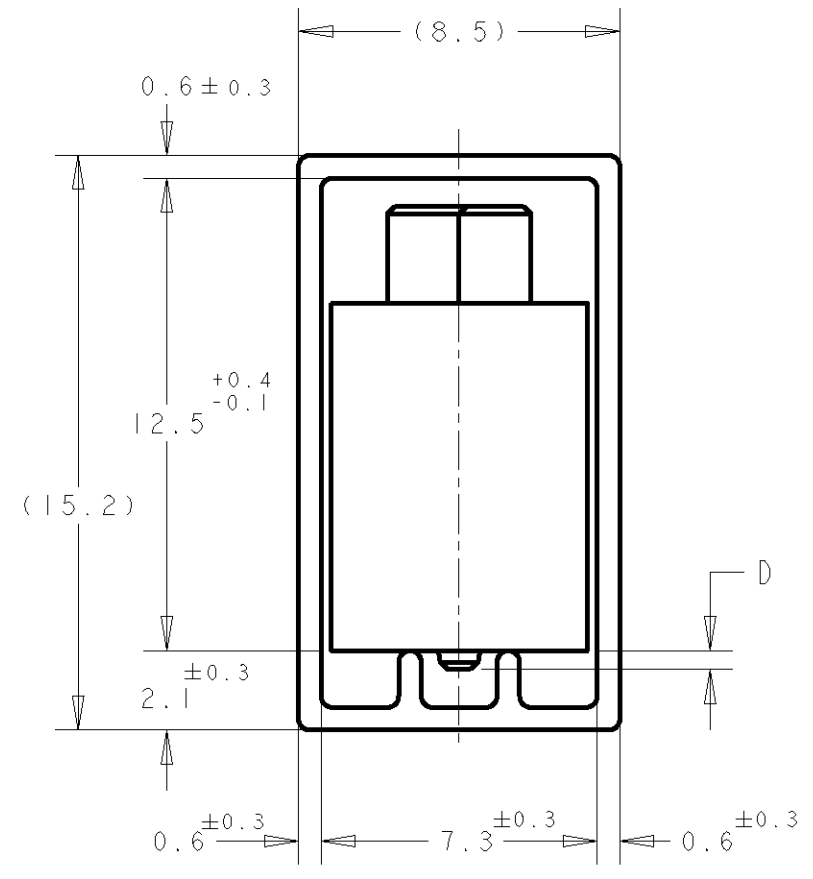
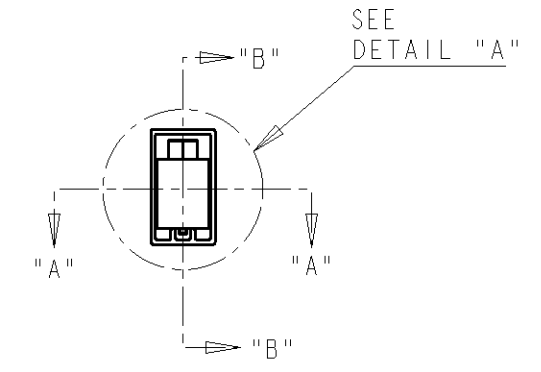
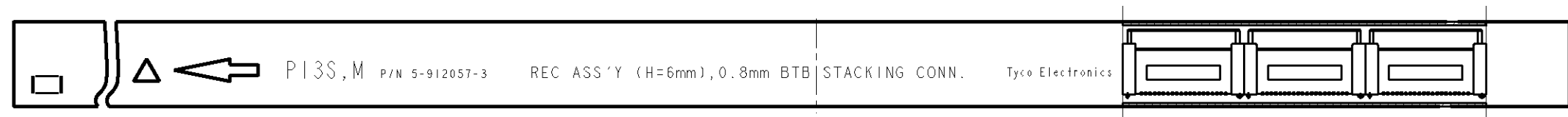
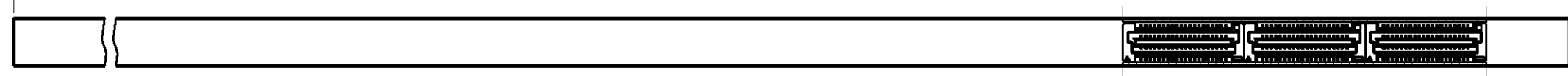
3

2

1

THIS DRAWING IS UNPUBLISHED. RELEASED FOR PUBLICATION .19 .
 © COPYRIGHT 19 BY AMP INCORPORATED. ALL RIGHTS RESERVED.

| LOC | DIST | REVISIONS | | | |
|-----|------|------------------|------|-----|------|
| P | LTR | DESCRIPTION | DATE | DWN | APVD |
| | | SEE SHEET 1 OF 2 | | | |



DETAIL "A"
(SCALE 5-1)

| 84.20 | 85.80 | 79.20 | 200 | 6- | -0 |
|-------|-------|-------|-----|------|-----------|
| 76.20 | 77.80 | 71.20 | 180 | 5- | -9 |
| 68.20 | 69.80 | 63.20 | 160 | 5- | -8 |
| 60.20 | 61.80 | 55.20 | 140 | 5- | -6 |
| 52.20 | 53.80 | 47.20 | 120 | 5- | -5 |
| 44.20 | 45.80 | 39.20 | 100 | 5- | -4 |
| 36.20 | 37.80 | 31.20 | 80 | 5- | -3 |
| 28.20 | 29.80 | 23.20 | 60 | 5- | -2 |
| 0.5 | 20.20 | 21.80 | 40 | 5- | -1 |
| 84.20 | 85.80 | 79.20 | 200 | 1- | -0 |
| 76.20 | 77.80 | 71.20 | 180 | | -9 |
| 68.20 | 69.80 | 63.20 | 160 | | -8 |
| 60.20 | 61.80 | 55.20 | 140 | | -6 |
| 52.20 | 53.80 | 47.20 | 120 | | -5 |
| 44.20 | 45.80 | 39.20 | 100 | | -4 |
| 36.20 | 37.80 | 31.20 | 80 | | -3 |
| 28.20 | 29.80 | 23.20 | 60 | | -2 |
| 0.8 | 20.20 | 21.80 | 40 | | 5179010-1 |
| D | C | B | A | POS. | PART No. |

| | | | | | |
|--|--|---|--|--|--|
| <small>THIS DRAWING IS A CONTROLLED DOCUMENT FOR AMP INCORPORATED. IT IS SUBJECT TO CHANGE AND THE CONTROLLING ENGINEERING ORGANIZATION SHOULD BE CONTACTED FOR THE LATEST REVISION.</small> | | DWN 6AUG04 FLORENCE TAN | | Tyco Electronics (Singapore) Pte. Ltd. | |
| DIMENSIONS: mm | | TOLERANCES UNLESS OTHERWISE SPECIFIED: 0 PLC ± 1 PLC ±0.20 2 PLC ±0.25 3 PLC ±0.30 4 PLC ± ANGLES ±3° | | NAME RECEPTACLE ASSEMBLY 13H TYPE FOR FH 0.8mm PITCH B-T-B CONNECTOR | |
| MATERIAL | | FINISH | | SIZE A3 CAGE CODE 00779 DRAWING NO C-5179010 | |
| CUSTOMER DRAWING | | WEIGHT - | | SCALE 4:1 SHEET 2 OF 2 REV 02 | |

PROJ NO. 593-312

C

B

A

D

C

B

A