

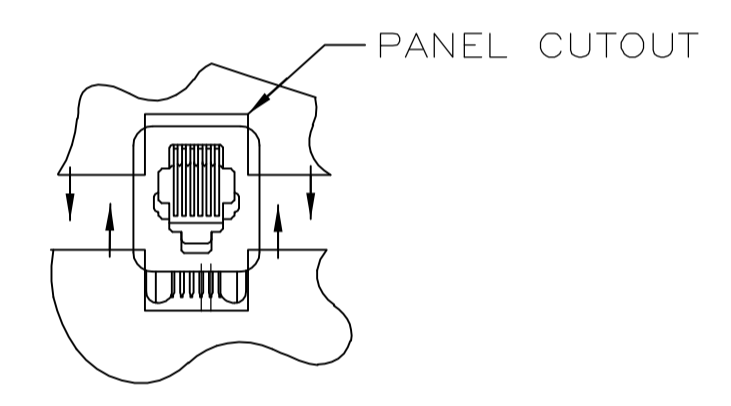
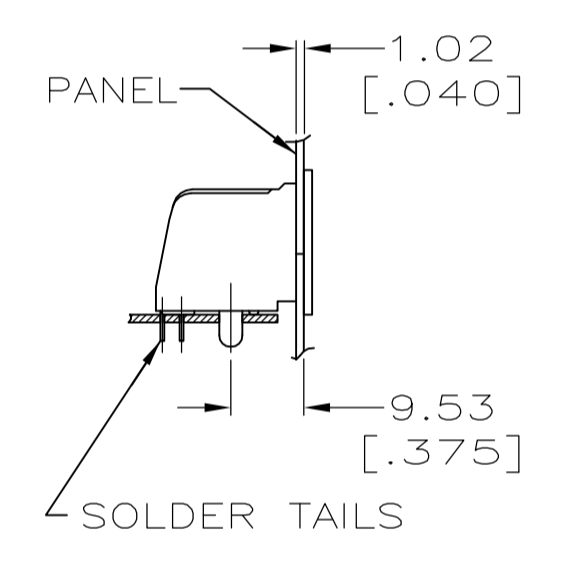
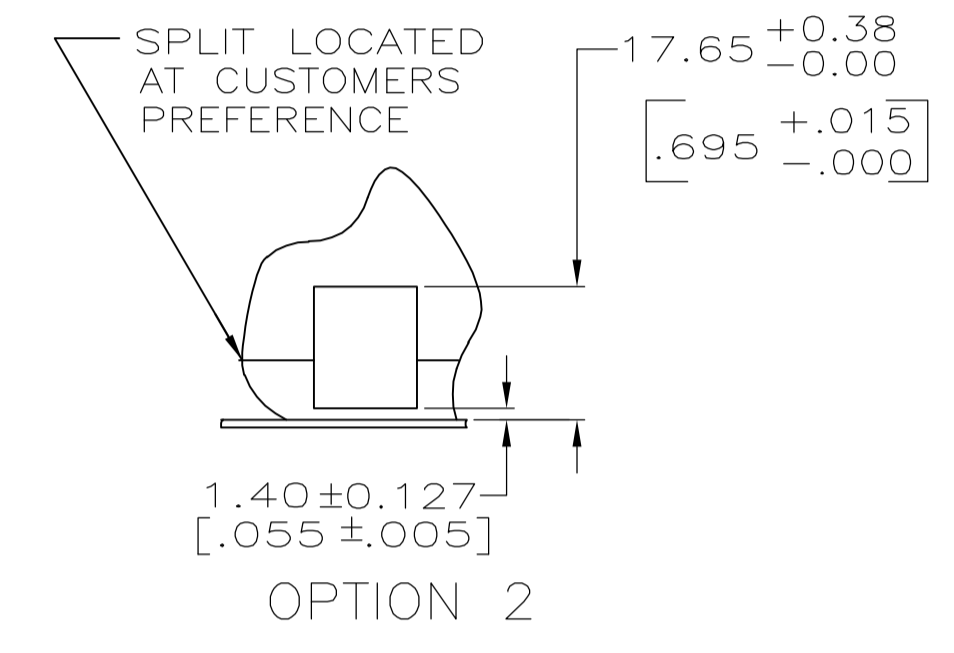
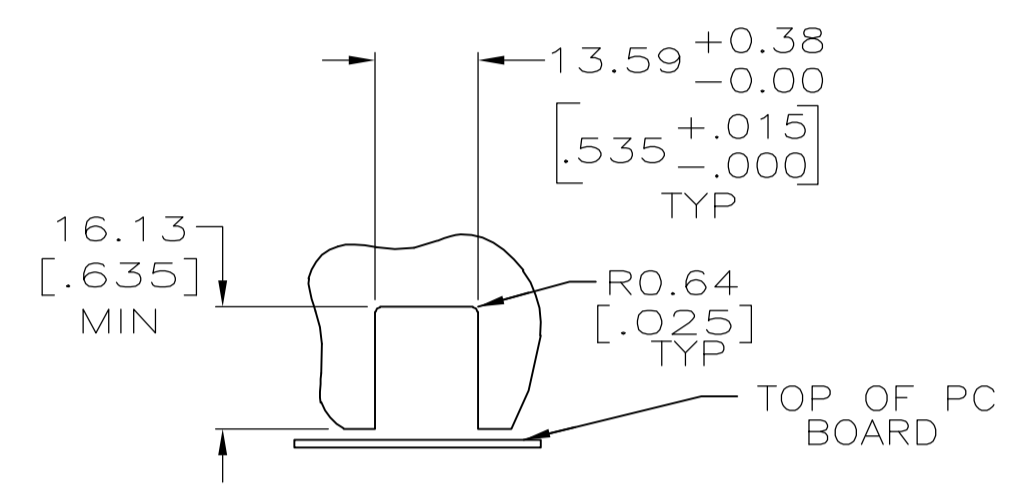
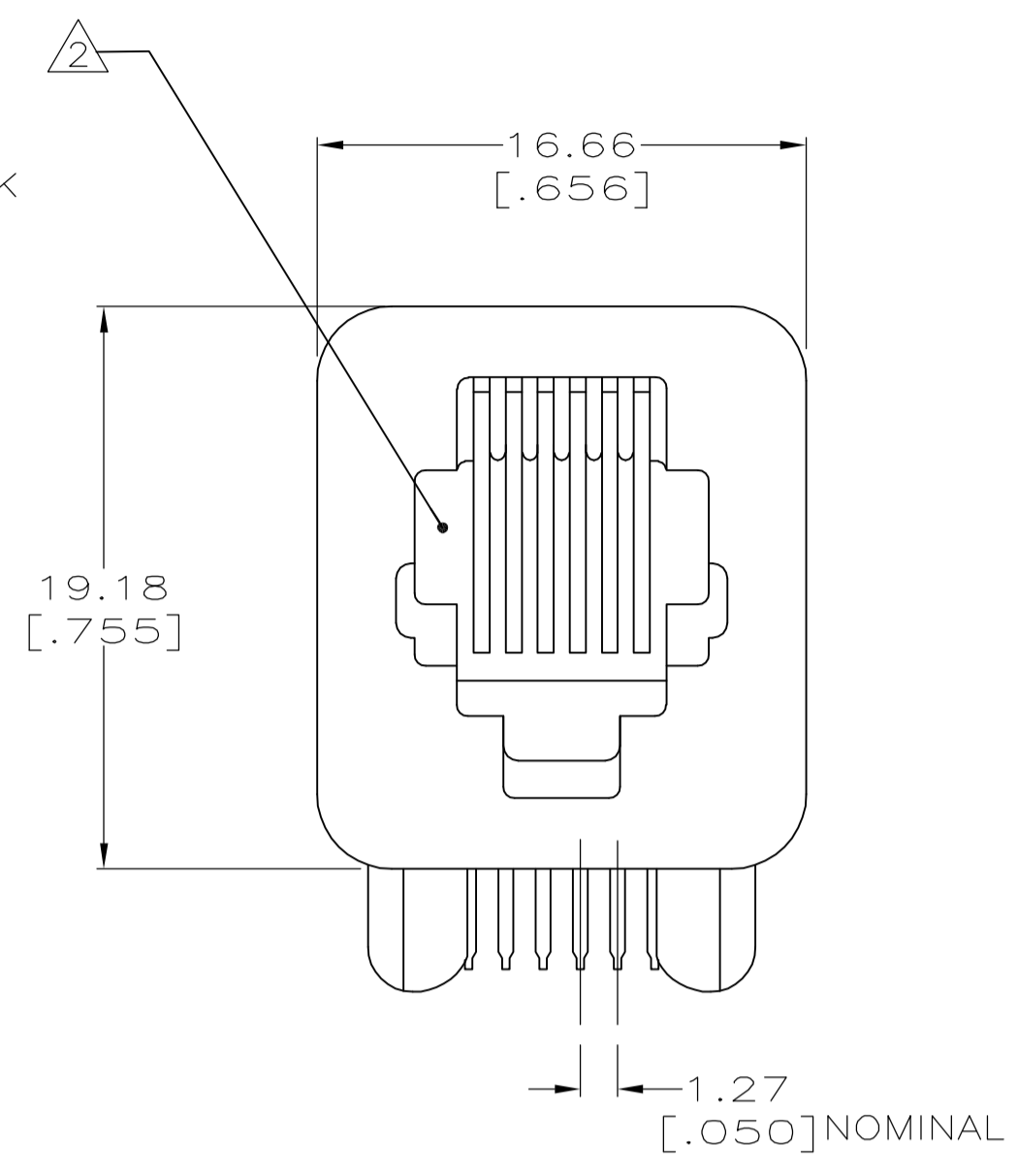
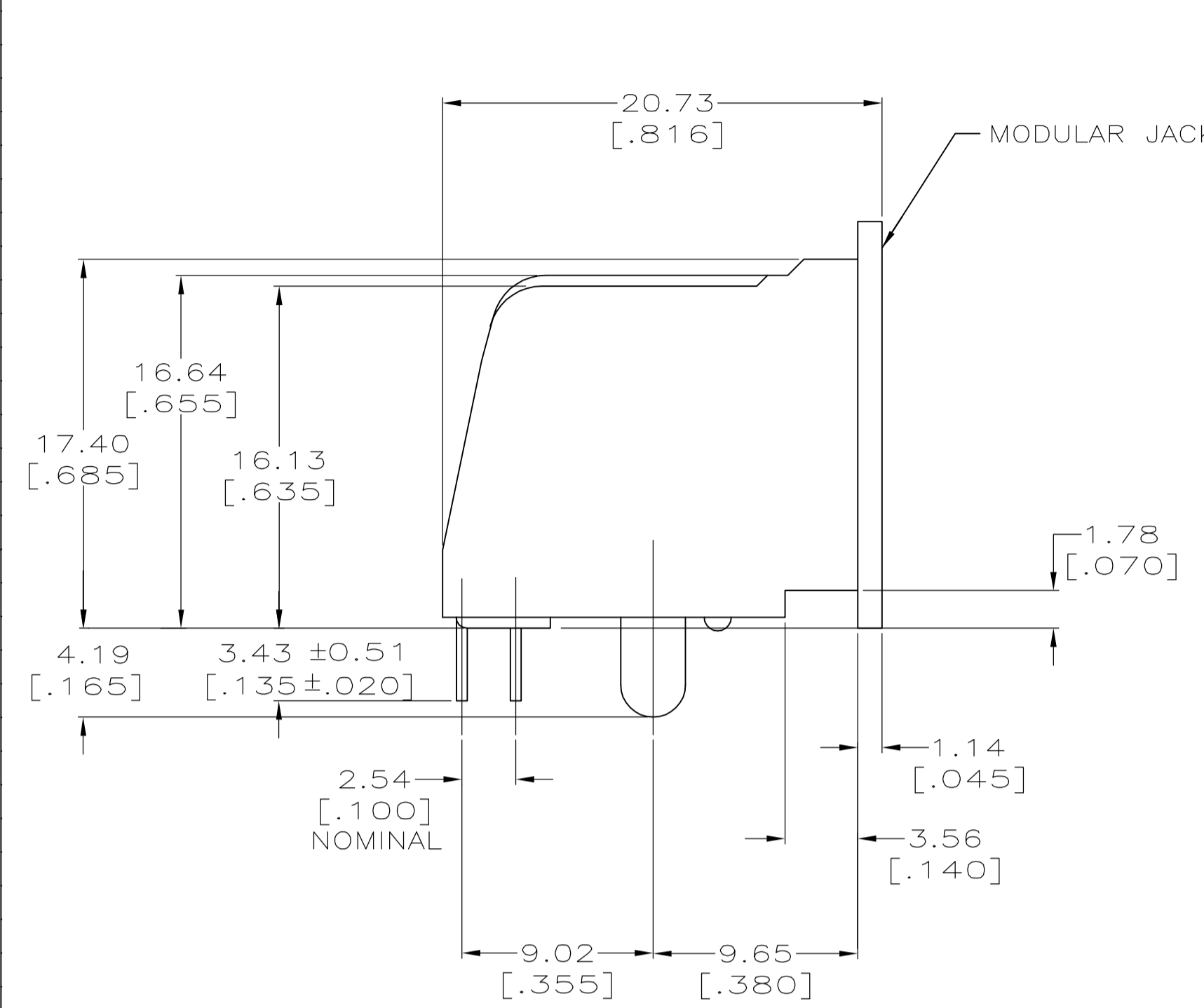
Distributed by:

**JAMECO**<sup>®</sup>  
ELECTRONICS

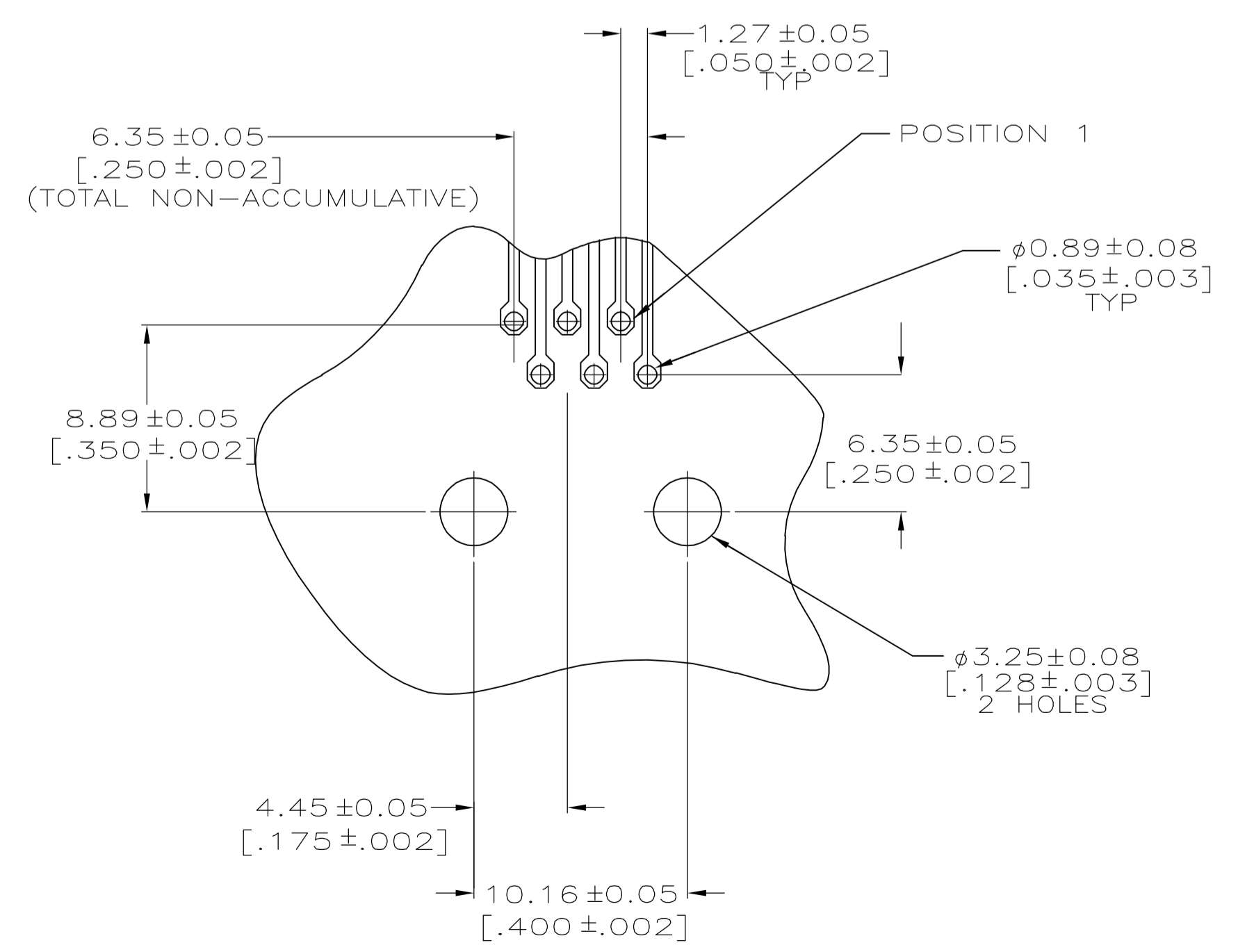
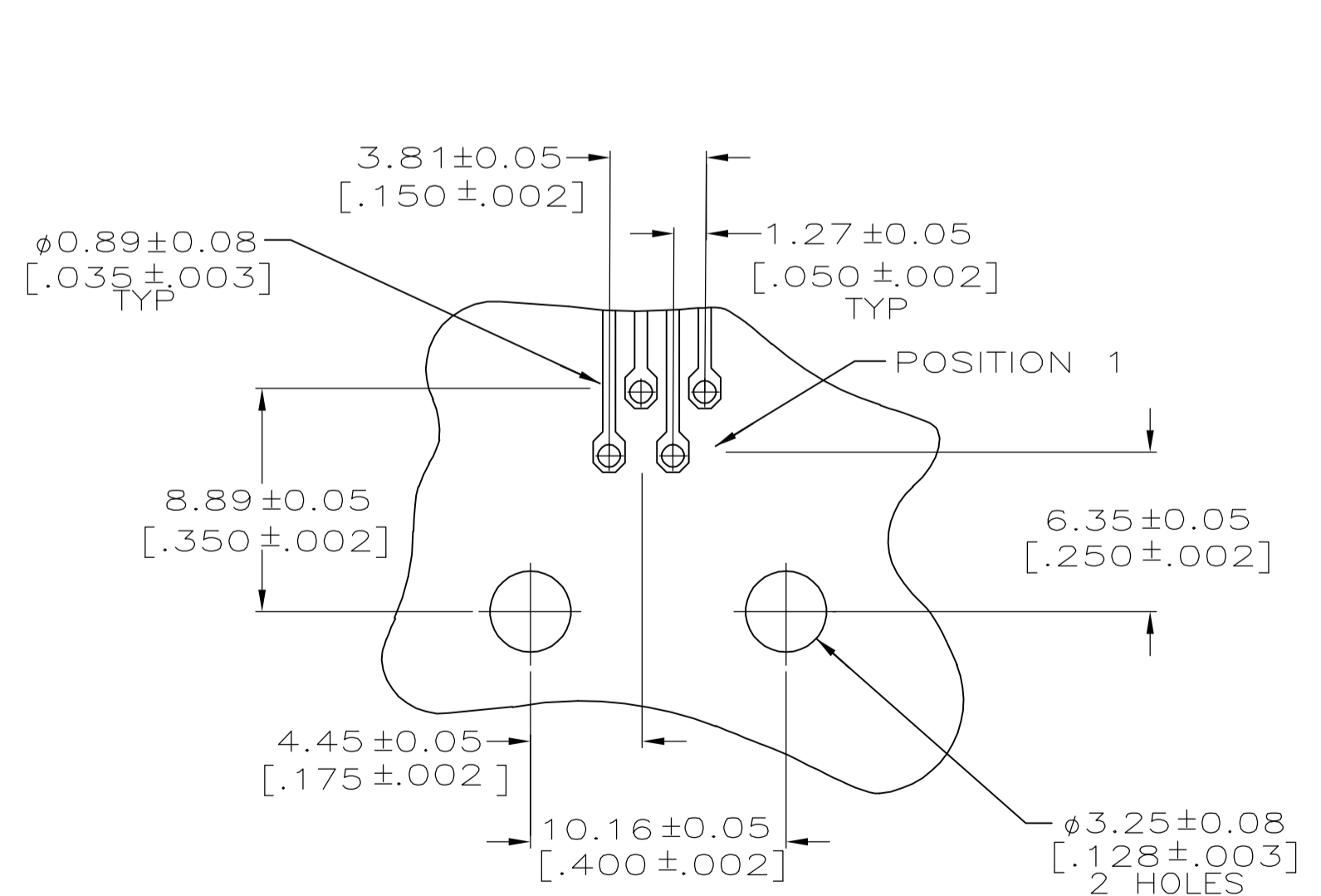
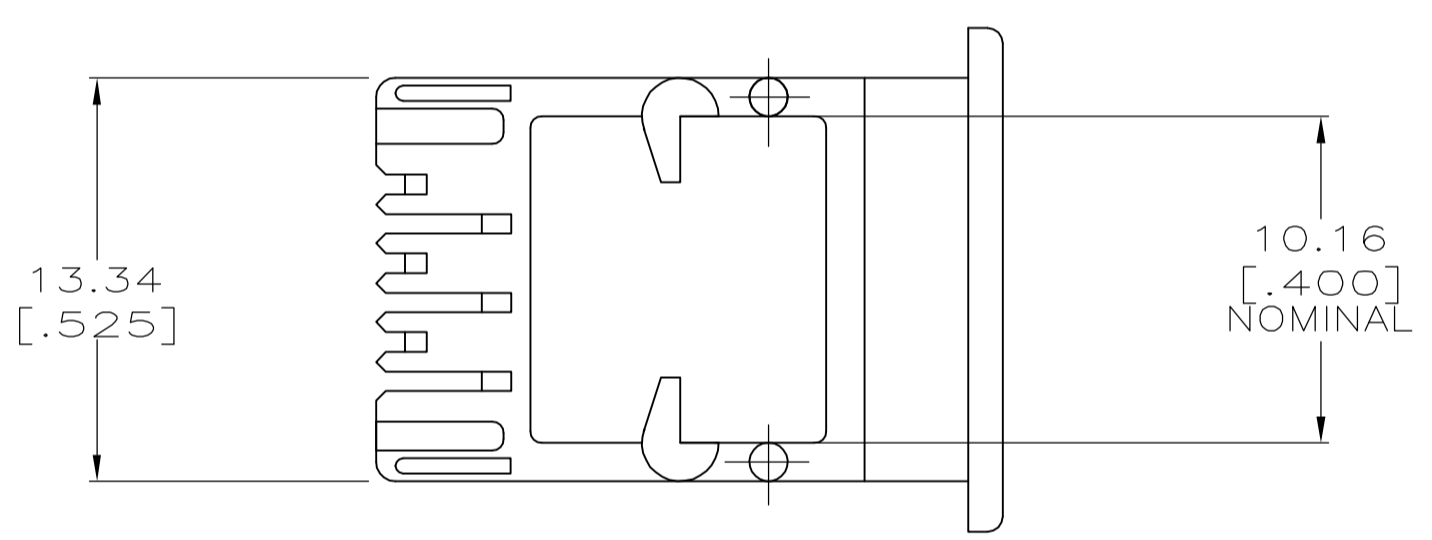
**www.Jameco.com ♦ 1-800-831-4242**

The content and copyrights of the attached  
material are the property of its owner.

Jameco Part Number 955991



SUGGESTED PANEL CUTOUT GUIDELINES  
SCALE 1:1



SUGGESTED PRINTED CIRCUIT BOARD LAYOUT  
COMPONENT SIDE

SUGGESTED PRINTED CIRCUIT BOARD LAYOUT  
COMPONENT SIDE

1 MATERIAL: HOUSING - PBT POLYESTER, BLACK  
 TERMINAL - 0.36[.014] THICK PHOS-BRONZE PLATED WITH 1.27 μm [.000050] MINIMUM THICK HARD GOLD IN LOCALIZED GOLD PLATE AREA AND 3.81 μm [.0000150] THICK MATTE TIN IN SOLDER AREA OVER 1.27 μm [.000050] MINIMUM THICK NICKEL UNDERPLATE.

2 CAVITY CONFORMS TO FCC RULES AND REGULATIONS PART 68 AND REA BULLETIN 345-81, PE-76 SPECIFICATION FOR MODULAR TELEPHONE HARDWARE.

3. ALL DIMENSIONS ARE MAXIMUM UNLESS OTHERWISE SPECIFIED.

6	5520242-3
4	5520242-2
CONTACTS	PART NO

THIS DRAWING IS A CONTROLLED DOCUMENT.		DIN J. ALCORTA - 17JUN2005	Tyco Electronics Corporation Harrisburg, Pa 17105-3608
		DOCK5 17JUN2005	
DIMENSIONS: INCHES		CHK J. WESTMAN	APVD S. FLICKINGER 17JUN2005
		NAME S. FLICKINGER	
TOLERANCES UNLESS OTHERWISE SPECIFIED:		PRODUCT SPEC 108-1163	PRINTED CIRCUIT BOARD MODULAR JACK ASSEMBLY SIDE ENTRY, 6 POSITION, FLANGED
0 PLC ± -		APPLICATION SPEC 114-2048	
1 PLC ± -		SIZE CAGE CODE DRAWING NO	RESTRICTED TO
2 PLC ± -		A1 00779 C=5520242	
3 PLC ± -		WEIGHT -	RESTRICTED CUSTOMER
4 PLC ± -		SCALE 1:1 SHEET 1 OF 1 REV A	
ANGLES ± -			
FINISH			

THIS DRAWING IS A CONTROLLED DOCUMENT FOR AMP INCORPORATED. IT IS SUBJECT TO CHANGE AND THE CONTROLLING ENGINEERING ORGANIZATION SHOULD BE CONTACTED FOR THE LATEST REVISION.