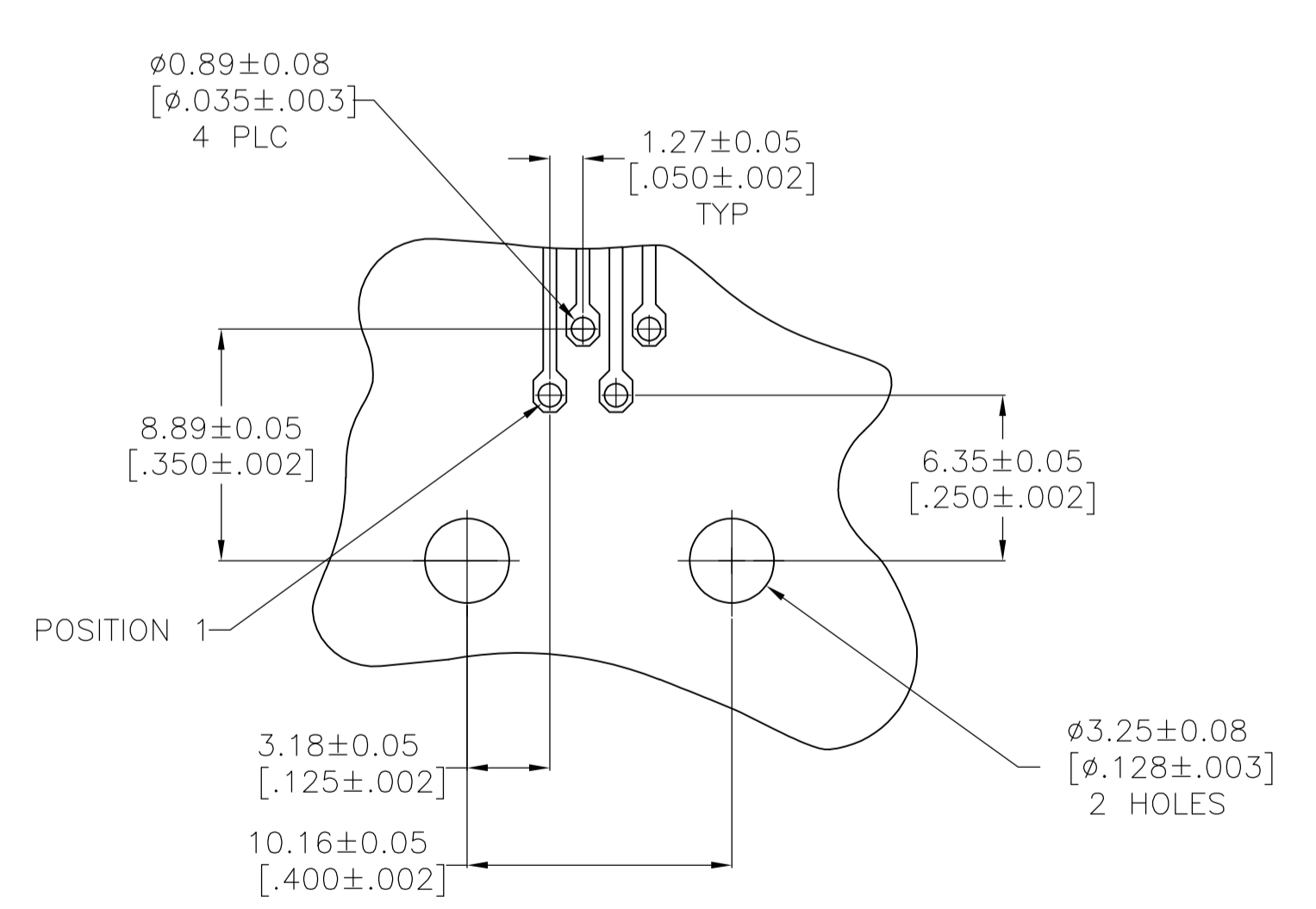
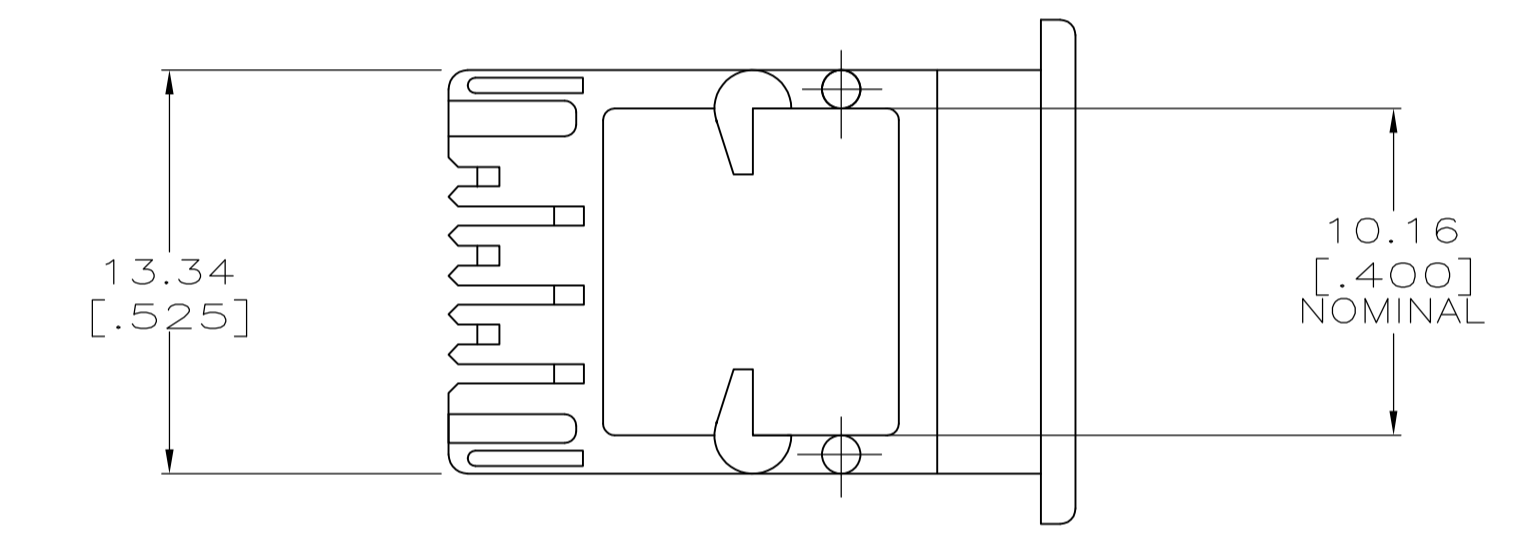
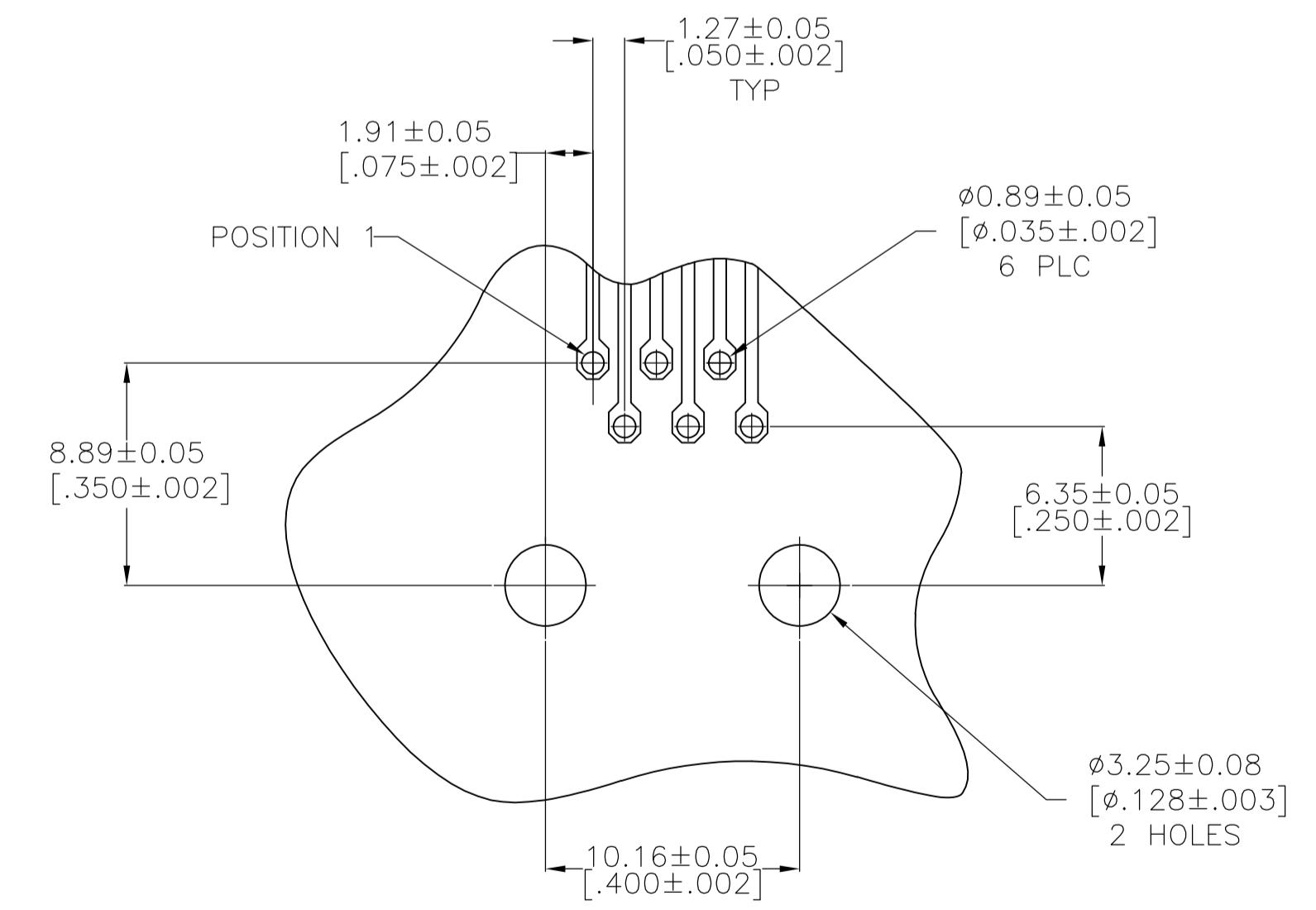


SUGGESTED PANEL CUTOUT GUIDELINES  
SCALE 1:1



RECOMMENDED PRINTED CIRCUIT BOARD LAYOUT  
FOR FOUR CONTACTS  
COMPONENT SIDE



RECOMMENDED PRINTED CIRCUIT BOARD LAYOUT  
FOR SIX CONTACTS  
COMPONENT SIDE

6	5520242-3
4	5520242-2
CONTACTS	PART NO.

THIS DRAWING IS A CONTROLLED DOCUMENT.		DIN J. ALCORTA - 17JUN2005 DOCK45		Tyco Electronics Corporation Harrisburg, PA 17105-3608	
DIMENSIONS: mm [INCHES]		TOLERANCES UNLESS OTHERWISE SPECIFIED:		APVD S. FLICKINGER 17JUN2005 NAME	
0 PLC ± -		1 PLC ± -		PRODUCT SPEC 108-1163	
2 PLC ± -		3 PLC ± -		APPLICATION SPEC 114-2048	
4 PLC ± -		ANGLES ± -		SIZE CAGE CODE DRAWING NO RESTRICTED TO	
MATERIAL SEE NOTE 1		FINISH SEE NOTE 1		WEIGHT - A1 00779 C=5520242	
		CUSTOMER DRAWING		SCALE 4:1 SHEET 1 OF 1 REV B	