

Distributed by:

JAMECO[®]
ELECTRONICS

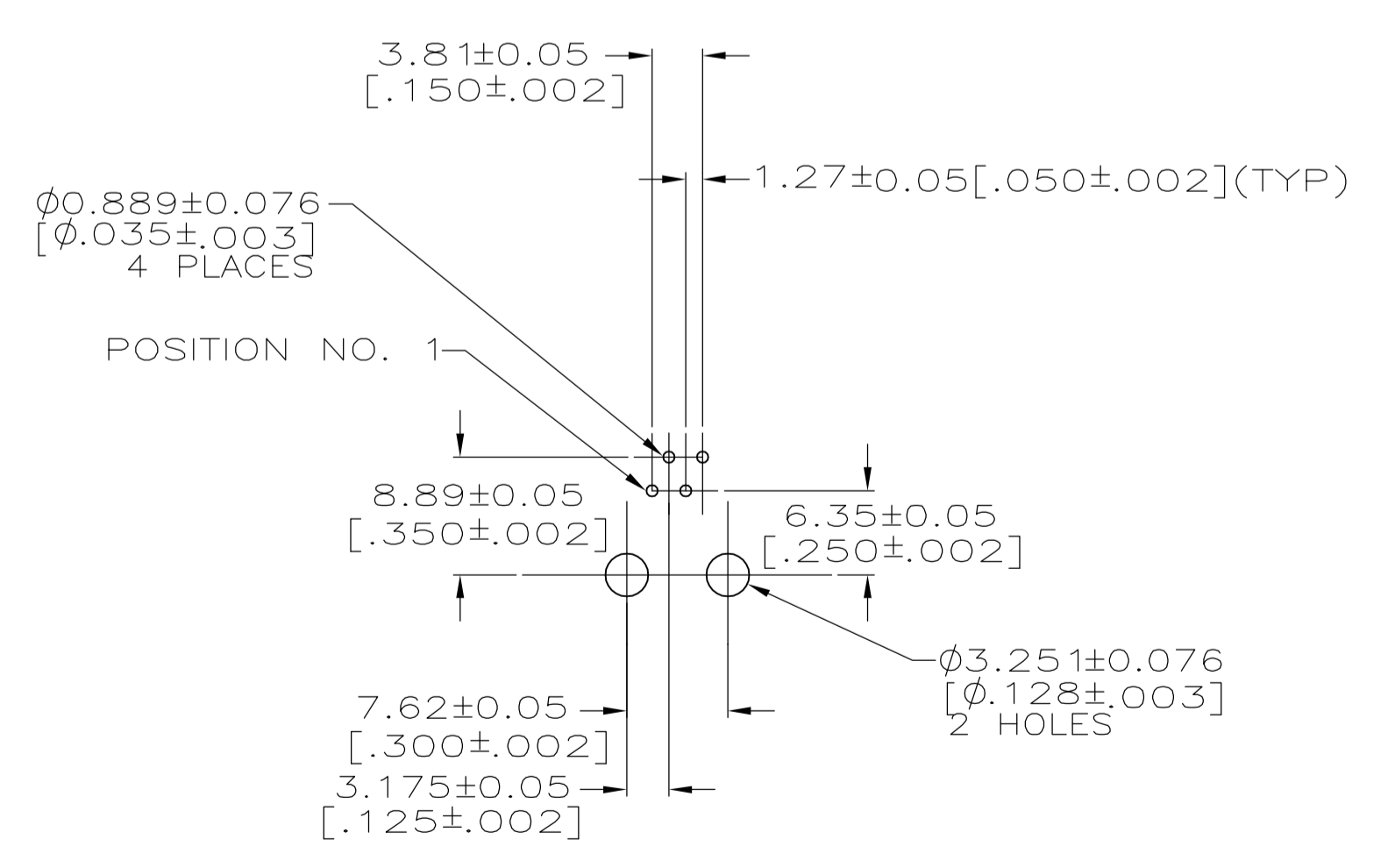
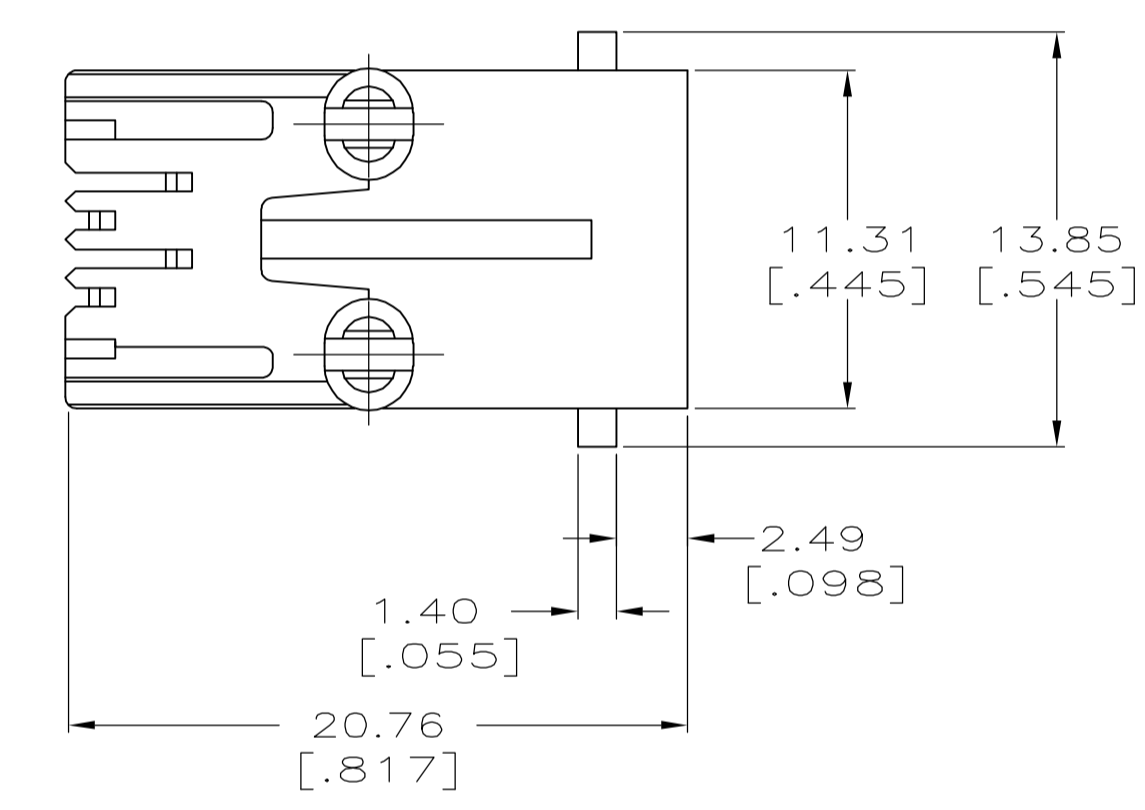
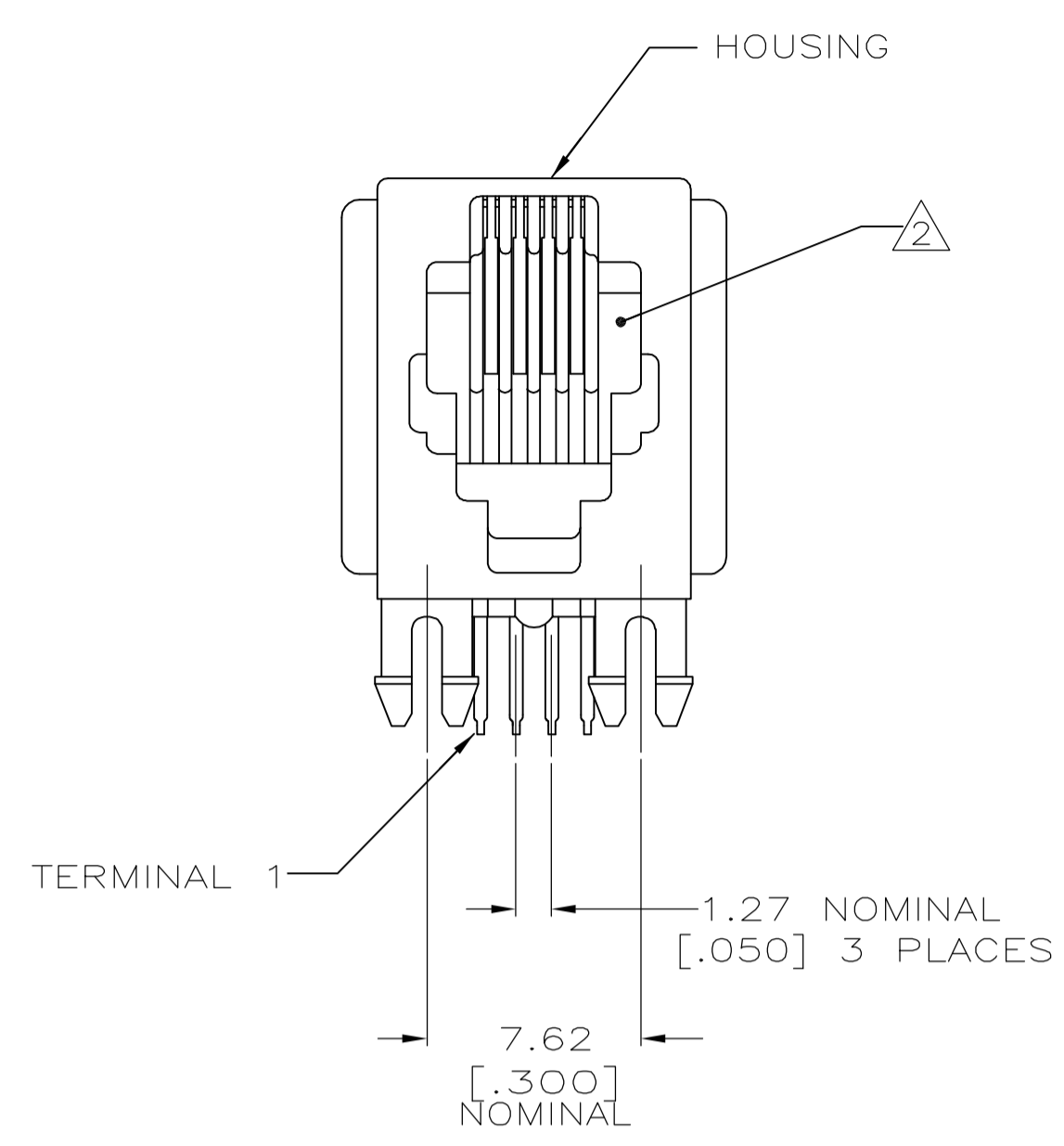
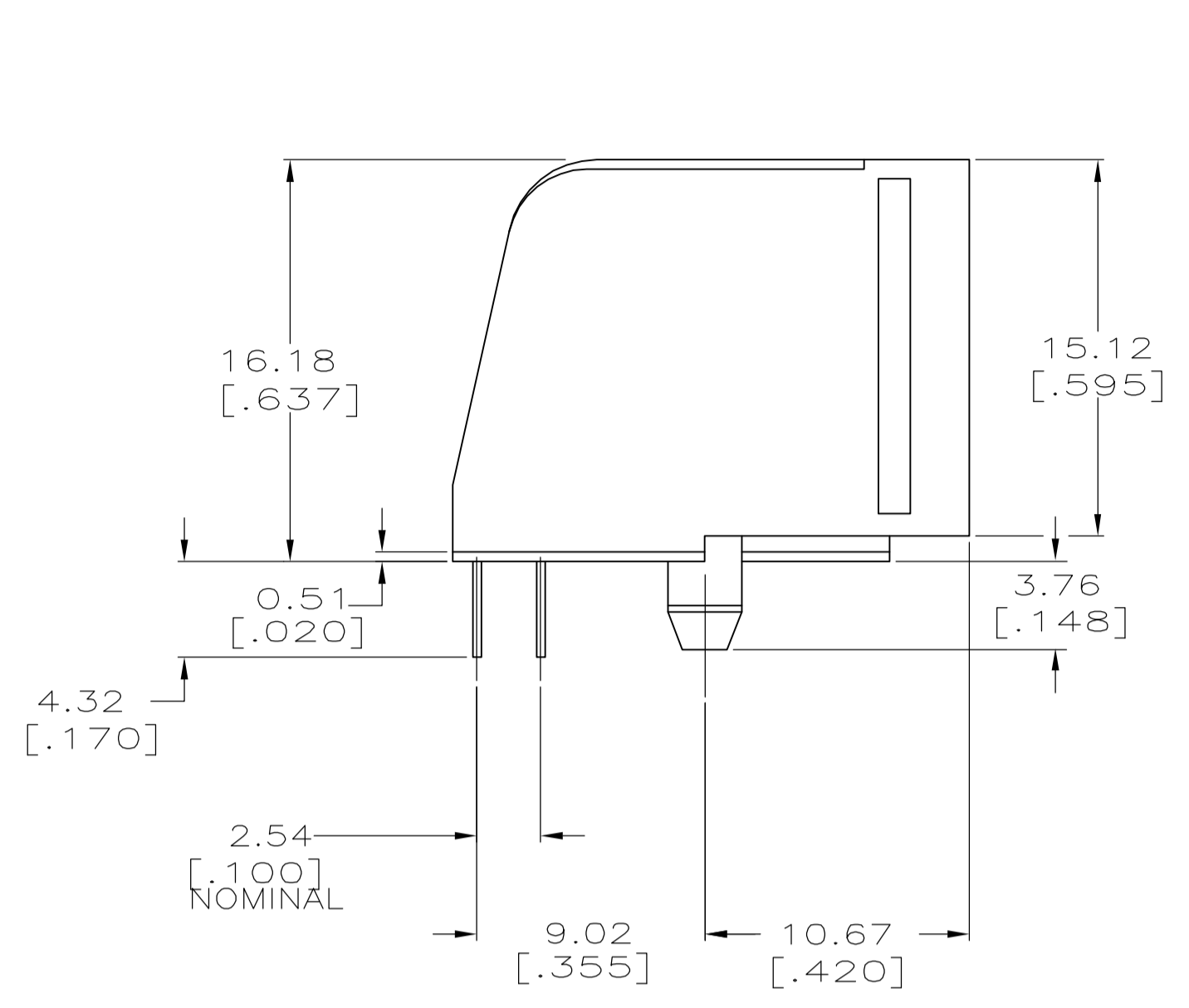
www.Jameco.com ♦ 1-800-831-4242

The content and copyrights of the attached
material are the property of its owner.

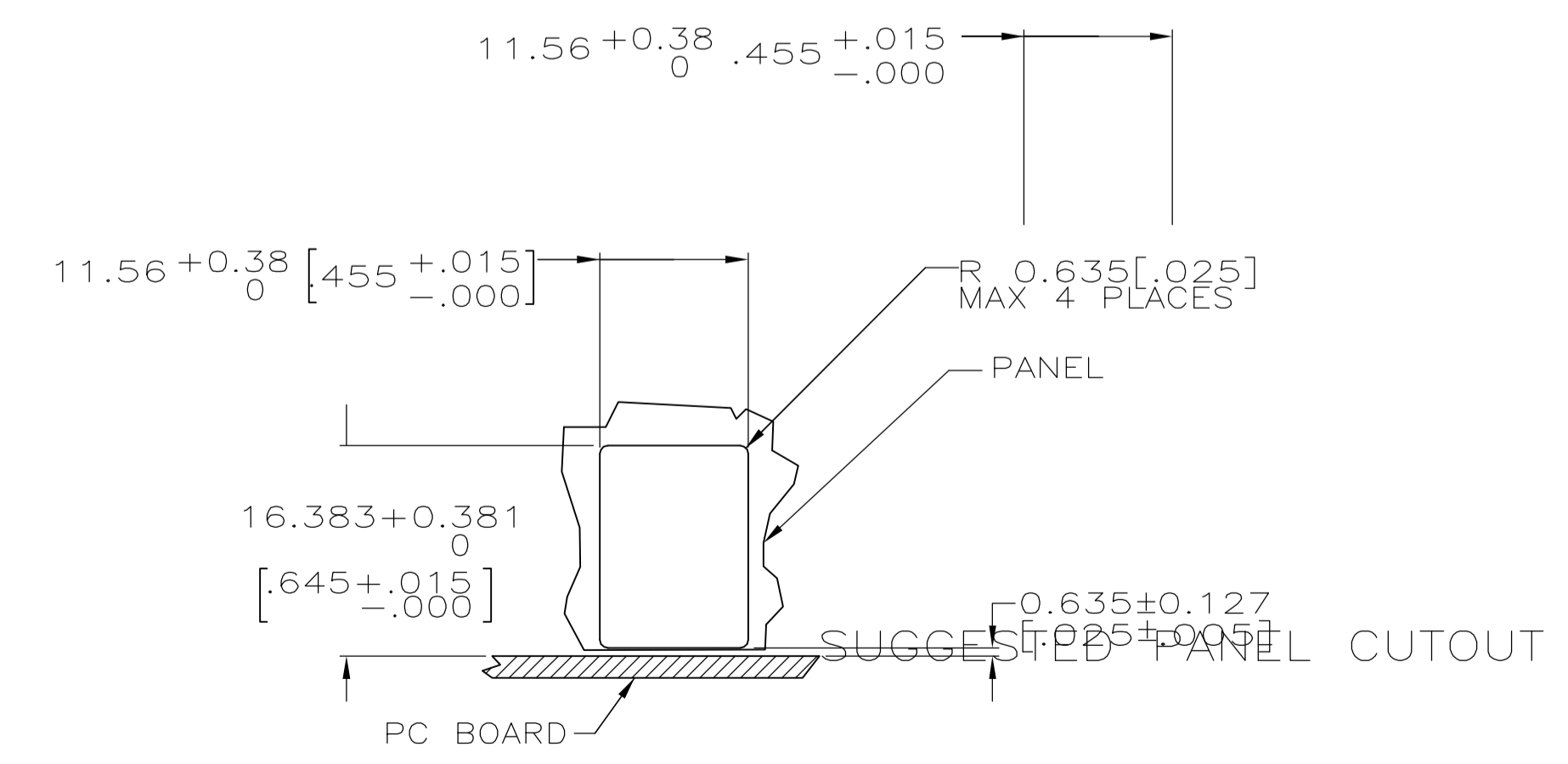
Jameco Part Number 956029

LOC		DIST		REVISIONS			
AA	22	REV	PER	EC	DATE	BY	APP'D
A		REV PER EC	OS11-0201-04		17JUN2005	JA	SF

- ⚠ MATERIAL: HOUSING - POLYESTER, SEE TABLE FOR COLOR.
 TERMINAL - 0.36[.014] THICK PHOS-BRONZE PLATED WITH 1.27μm [.000050] MINIMUM THICK HARD GOLD IN LOCALIZED GOLD PLATE AREA AND 3.81μm [.000150] THICK MATTE TIN IN SOLDER AREA OVER 1.27μm [.000050] MINIMUM THICK NICKEL UNDERPLATE.
- ⚠ CAVITY CONFORMS TO FCC RULES AND REGULATIONS PART 68 AND REA BULLETIN 345-81 PE 76 SPECIFICATION FOR MODULAR TELEPHONE HARDWARE.
- ⚠ DIMENSION ARE MAXIMUM UNLESS OTHERWISE SPECIFIED.
- ⚠ BULK PACKAGED IN A TRAY.



SUGGESTED PRINTED
 CIRCUIT BOARD LAYOUT
 SCALE 2:1
 COMPONENT SIDE



SUGGESTED PANEL CUTOUT
 SCALE 2:1

⚠ PACKAGED	BLACK	4	5520249-2
	COLOR	CONTACTS	PART NUMBER

THIS DRAWING IS A CONTROLLED DOCUMENT.		DIN J. ALCORTA - DOCK 5 17JUN2005		Tyco Electronics Corporation	
DIMENSIONS: mm [INCHES]		CHK S. FLICKINGER 17JUN2005		Harrisburg, Pa 17105-3608	
TOLERANCES UNLESS OTHERWISE SPECIFIED:		APP'D S. FLICKINGER 17JUN2005		NAME	
0 PLC ± -	1 PLC ± -	PRODUCT SPEC		PRINTED CIRCUIT BOARD MODULAR	
2 PLC ± -	3 PLC ± -	APPLICATION SPEC		JACK ASSEMBLY, SIDE ENTRY, 4 POSITION,	
4 PLC ± -	ANGLES ± ± -	SIZE		FLANGELESS, WITH PANEL STOPS	
MATERIAL	FINISH	WEIGHT	SCALE	DRAWING NO	RESTRICTED TO
⚠	⚠	---	1:1	A1 00779 C=5520249	---
CUSTOMER DRAWING			SHEET	REV	
			1	1	A