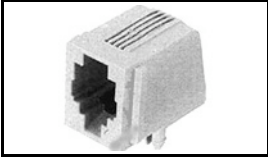


## 5520250-2 Product Details

[Share](#) [Print](#) [Email](#)



**5520250-2**

TE Internal Number: 5520250-2

 **Active**

 [View 3D PDF](#)

### PCB Mounted Jacks - Single Port, Multi-port and Stacked

 Always EU RoHS/ELV Compliant  
(Statement of Compliance)

#### Product Highlights:

- Connector
- Preloaded
- Single Port Configuration
- 1 x 1 Jack Configuration
- Jack Type = RJ14

[View all Features](#)

#### Quick Links

- ▶ [Pricing & Availability](#)
- ▶ [Search for Tooling](#)
- ▶ [Product Feature Selector](#)
- ▶ [Contact Us About This Product](#)

[Add to My Part List](#)

[Request Sample](#)

[Find Similar Products](#)

[Buy Product](#)

### Documentation & Additional Information

#### Product Drawings:

- [MODULAR JACK ASSEMBLY, 6 POSITION, SIDE ENTRY, FLANG...](#) (PDF, English)

#### Catalog Pages/Data Sheets:

- [1-1773464-9\\_MODULAR JACKS\\_SINGLE\\_PORT\\_PCB\\_MOUNT](#) (PDF, English)

#### Product Specifications:

- [Modular Plugs, Thru-Hole and Surface Mount Jacks, Da...](#) (PDF, English)

#### Application Specifications:

- [Modular Jacks](#) (PDF, English)

#### Instruction Sheets:

- None Available

#### CAD Files: (CAD Format & Compression Information)

- [2D Drawing](#) (DXF, Version D)
- [3D Model](#) (IGES, Version D)
- [3D Model](#) (STEP, Version D)

[List all Documents](#)

#### Additional Information:

- [Product Line Information](#)

#### Related Products:

- [Tooling](#)

### Product Features (Please use the Product Drawing for all design activity)

#### Product Type Features:

- Product Type = Connector
- Jack Type = RJ14
- PCB Mounting Orientation = Side Entry (Right Angle)
- PCB Mount Style = Through Hole
- Termination Method to PC Board = Solder
- Performance Category = Cat 3
- LED = Without
- Grounding Options = Without
- Panel Stops = With
- Keyed = No
- Profile = Standard
- Color = Black
- Latch Style = Standard

#### Body Features:

- Inverted Jack Face = No

#### Contact Features:

- Contact Plating, Mating Area, Material = Gold (50)
- Contact Base Material = Phosphor Bronze

#### Housing Features:

- Housing Material = PBT - GF
- UL Flammability Rating = UL 94V-0

#### Configuration Features:

- Preloaded = Yes
- Port Configuration = Single
- Jack Configuration = 1 x 1

**Mechanical Attachment:**

- [Panel Mount Retention](#) = With
- Flanged = No

**Electrical Characteristics:**

- [Shielded](#) = No

**Termination Features:**

- [Solder Tail Contact Plating](#) = Tin over Nickel

**Dimensions:**

- [Height \(mm \[in\]\)](#) = 16.13 [0.635]
- [PCB Tail Length \(mm \[in\]\)](#) = 3.80 [0.150]
- [PCB Thickness, Recommended \(mm \[in\]\)](#) = 1.57 [0.062]

- [Number of Positions](#) = 6
- [Number of Contacts Loaded](#) = 4

**Industry Standards:**

- [RoHS/ELV Compliance](#) = RoHS compliant, ELV compliant
- [Lead Free Solder Processes](#) = Wave solder capable to 260°C, Wave solder capable to 240°C, Wave solder capable to 265°C
- [RoHS/ELV Compliance History](#) = Always was RoHS compliant

**Packaging Features:**

- [Packaging Method](#) = Tray

**Product Availability:**

- [Region](#) = Asia, North America

**Other:**

- [Brand](#) = AMP

**Corporate Information**

[About TE](#)  
[Investors](#)  
[News Room](#)  
[Supplier Portal](#)  
[Careers](#)  
[Terms & Conditions](#)  
[Privacy Policy](#)

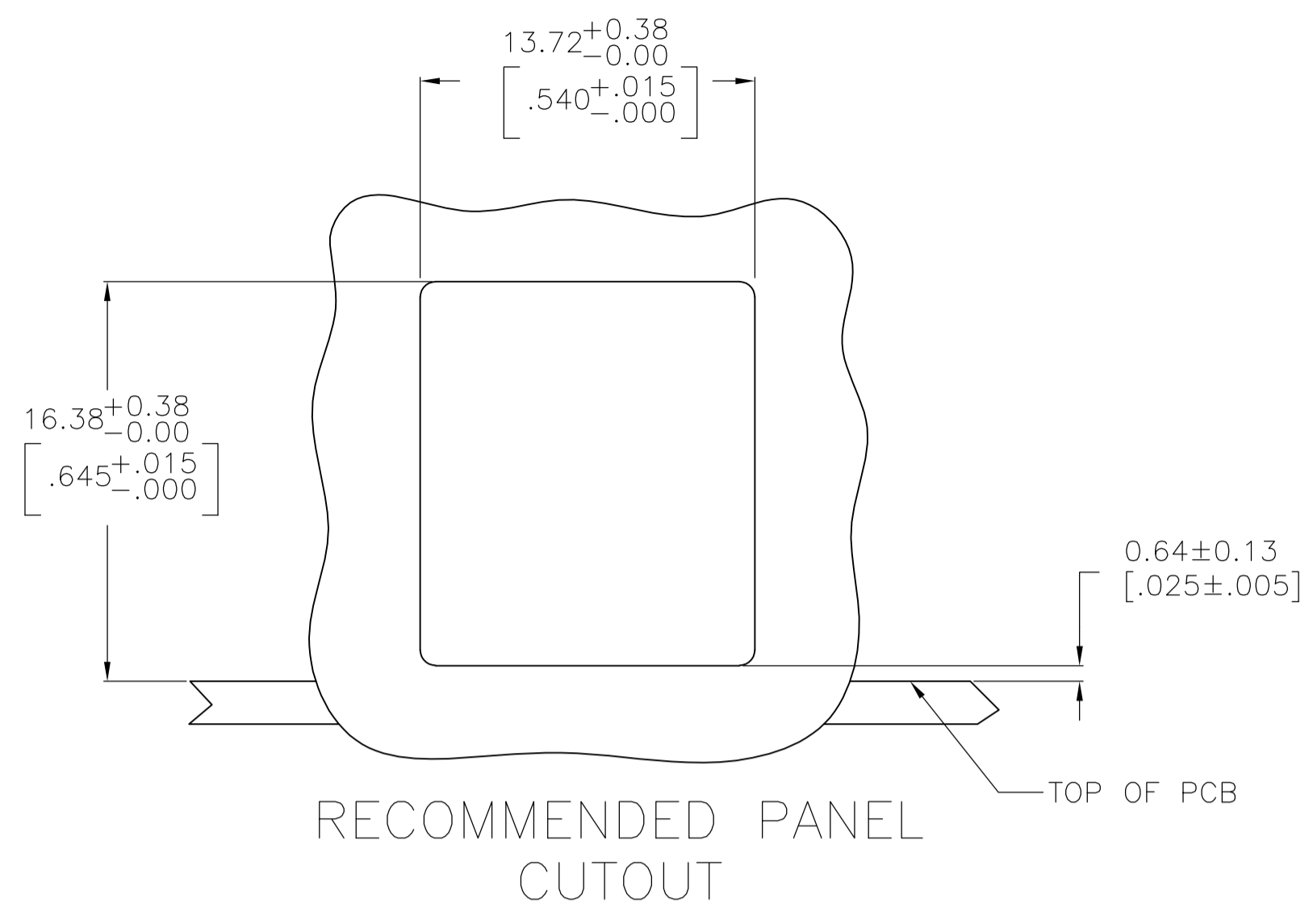
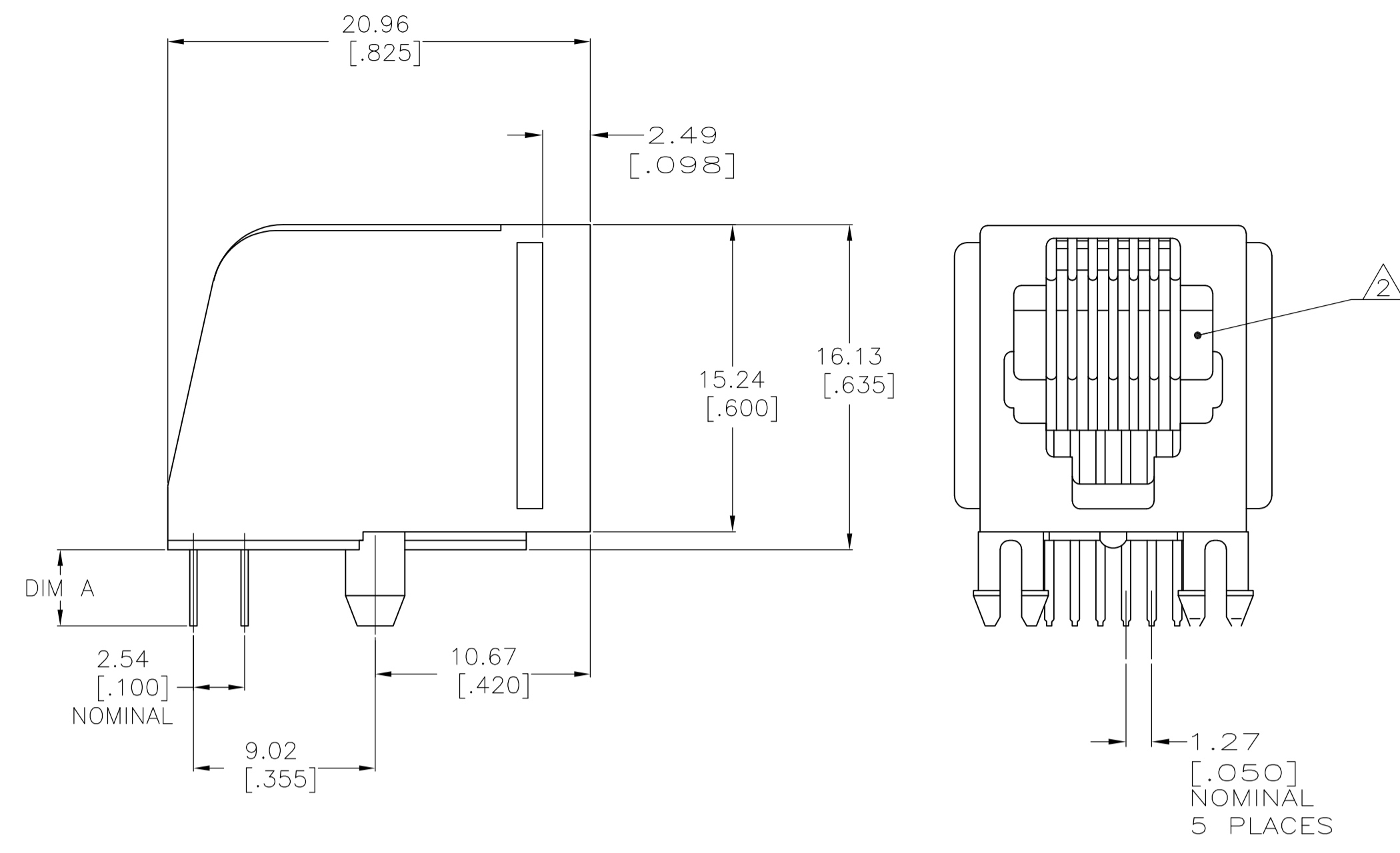
**Quick Links**

[Distributor Inventory](#)  
[Product Cross Reference](#)  
[Documents & Drawings](#)  
[Product Compliance Support Center](#)  
[Site Map](#)

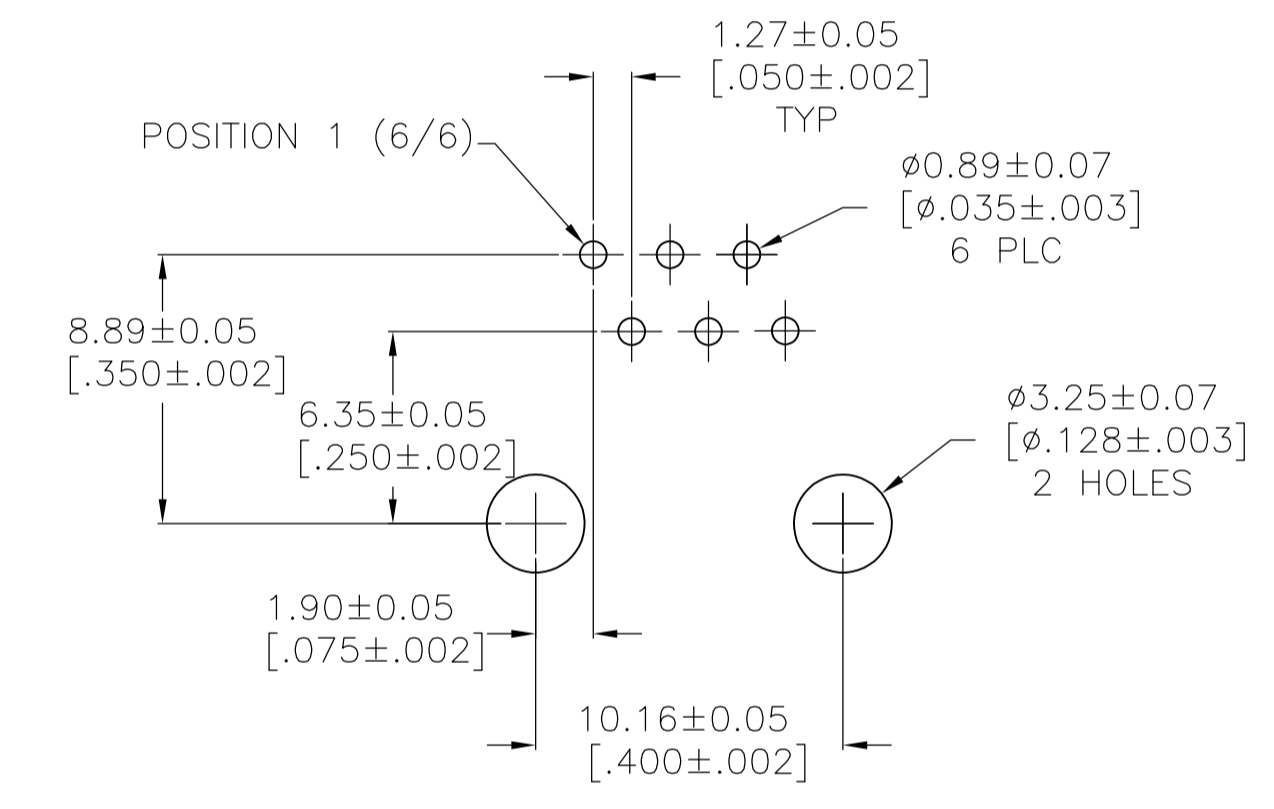
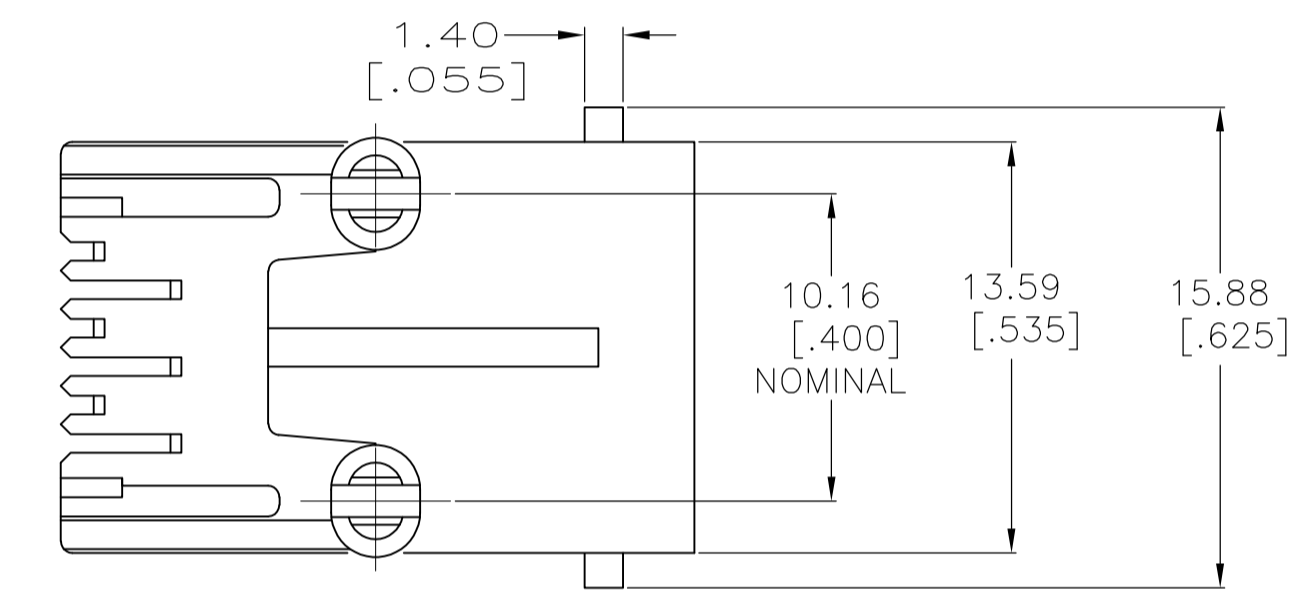
**Customer Support**

[Email or Chat With Us](#)  
[Find a Phone Number](#)  
[Knowledge Base](#)  
[Manage Your Account](#)

**Keep Me Informed**



- MATERIAL:  
HOUSING - PBT POLYESTER, COLOR: BLACK  
TERMINAL - 0.36[.014] THICK PHOS BRONZE PLATED WITH (SEE TABLE) MIN HARD GOLD IN LOCALIZED GOLD PLATE AREA AND 2.03µm[.000080] MIN THICK MATTE TIN IN SOLDER AREA OVER 1.27µm[.000050] MIN THICK NICKEL UNDERPLATE
- CAVITY CONFORMS TO FCC RULES AND REGULATIONS PART 68 AND REA BULLETIN 345-81, PE-76 SPECIFICATION FOR MODULAR TELEPHONE HARDWARE.
- 0.15µm[.000006] GOLD PLATED PARTS DO NOT MEET THE MINIMUM GOLD THICKNESS REQUIREMENT OF FCC SPECIFICATION, PART 68. PARTS HAVE NOT BEEN TESTED TO THE DURABILITY REQUIREMENTS OF TE PRODUCT SPEC 108-1163
- TERMINALS FOR 5520250-1 AND -2 LOCATED IN CENTER POSITIONS
- DIMENSIONS ARE MAXIMUM UNLESS OTHERWISE SPECIFIED



RECOMMENDED PRINTED CIRCUIT BOARD LAYOUT COMPONENT SIDE SHOWN

OBSOLETE	0.15µm[.000006]	3.30-4.32 [.130-.170]	6	2-5520250-3
			4	2-5520250-2
1.27µm[.000050]		2.16-2.67 [.085-.105]	4	1-5520250-1
		3.30-4.32 [.130-.170]	6	5520250-3
			4	5520250-2
			2	5520250-1
GOLD THICKNESS		DIM A	TERMINALS REQUIRED	PART NUMBER

THIS DRAWING IS A CONTROLLED DOCUMENT.

DIMENSIONS: mm [INCHES]	TOLERANCES UNLESS OTHERWISE SPECIFIED:	DIN T. WOOTEN/L.A. MAYER 12MAY2005	CHK J. WESTMAN 12MAY2005	APVD S. FLICKINGER 12MAY2005	NAME
	0 PLC ± -				MODULAR JACK ASSEMBLY, 6 POSITION, SIDE ENTRY, FLANGELESS, WITH PANEL STOPS
	1 PLC ± -				PRODUCT SPEC 108-1163
	2 PLC ± 0.13[.005]				APPLICATION SPEC
	3 PLC ± -				114-2048
	4 PLC ± -				SIZE CAGE CODE DRAWING NO
	ANGLES ± -				A1 00779 C=5520250
MATERIAL SEE NOTE 1	FINISH SEE NOTE 1	WEIGHT			RESTRICTED TO
					CUSTOMER DRAWING SCALE 4:1 SHEET 1 OF 1 REV D2

STE TE Connectivity