

Distributed by:

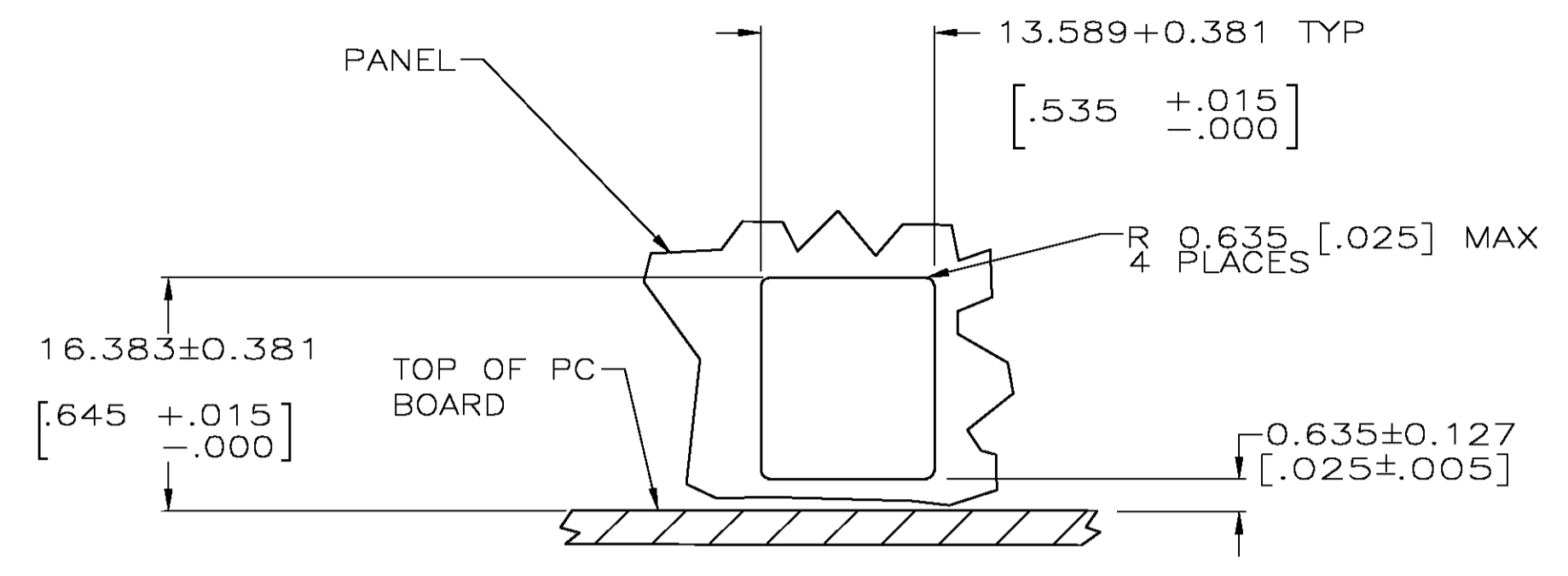
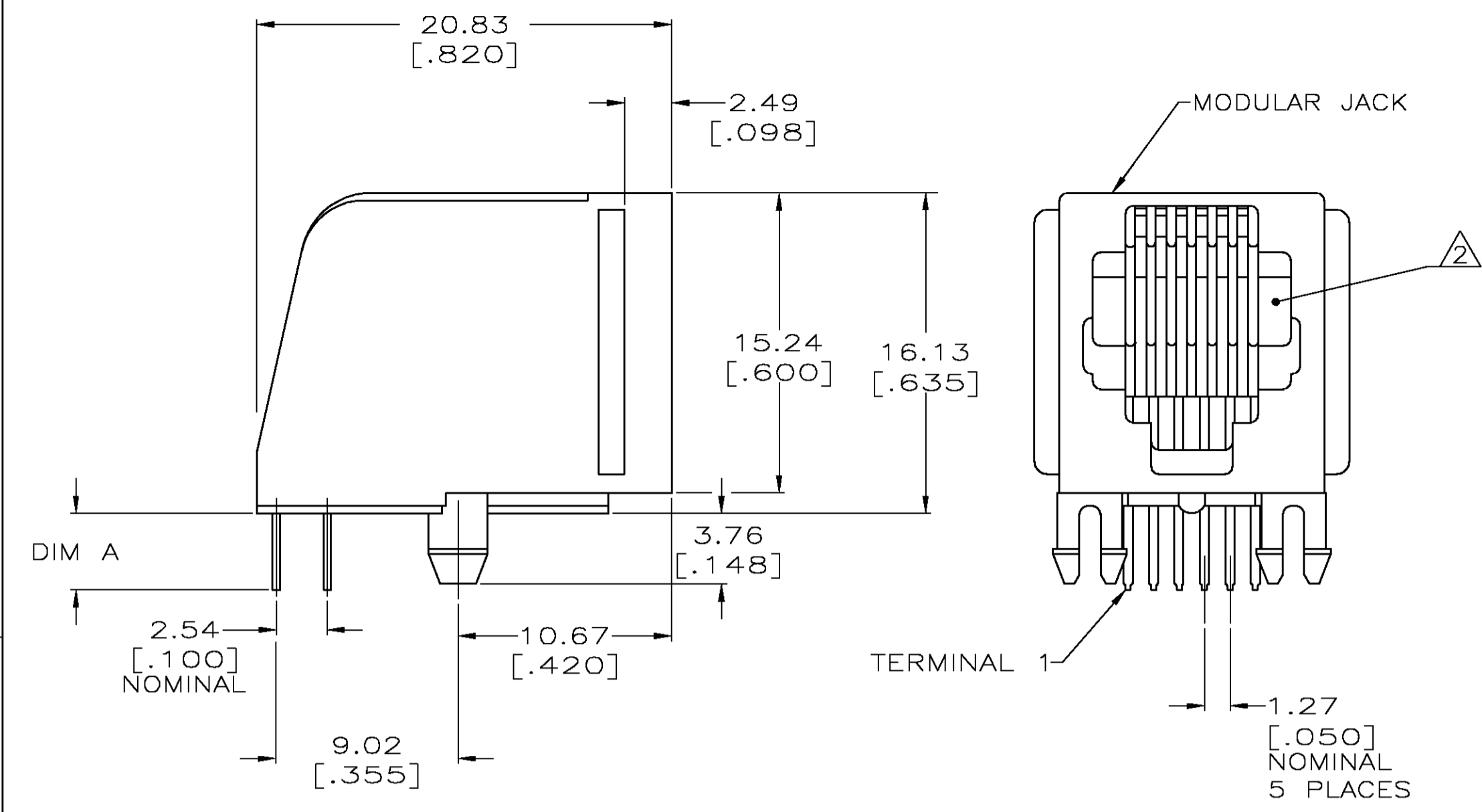
**JAMECO**<sup>®</sup>  
ELECTRONICS

**www.Jameco.com ♦ 1-800-831-4242**

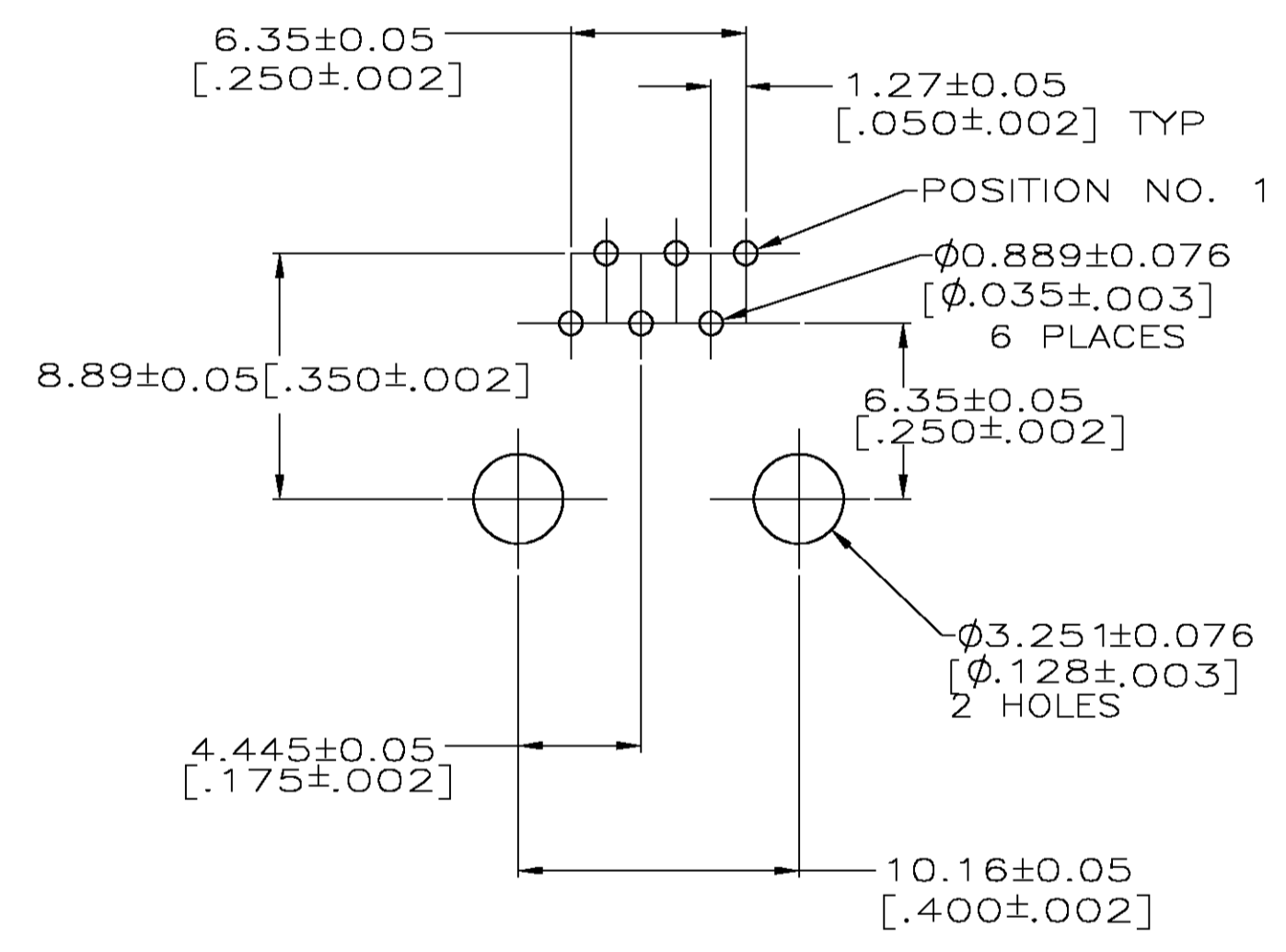
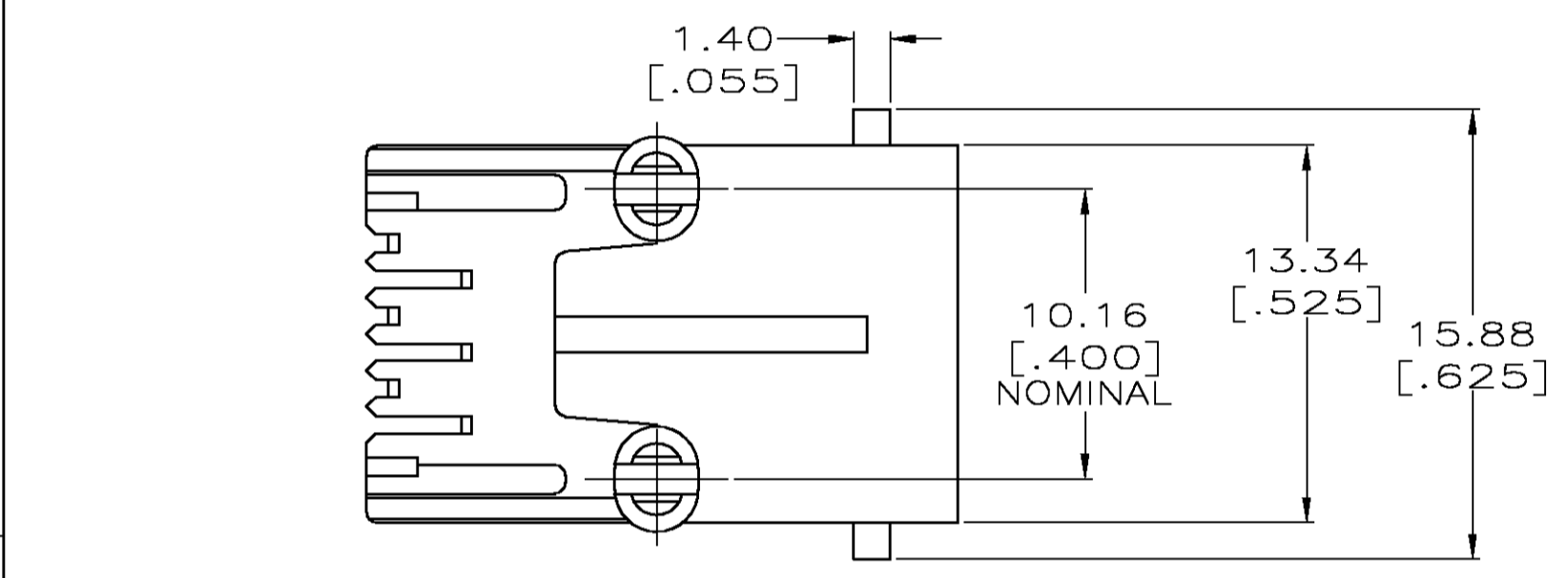
The content and copyrights of the attached  
material are the property of its owner.

Jameco Part Number 956053

| LOC | DIST | REVISIONS |    |                |         |     |      |
|-----|------|-----------|----|----------------|---------|-----|------|
| AA  | 22   | P         | LR | DESCRIPTION    | DATE    | DN  | APVD |
|     |      | A         |    | ECOS11-0201-04 | 12MAY05 | LAM | SF   |



- MATERIAL: HOUSING - PBT POLYESTER  
 TERMINAL - 0.35 [.014] THICK PHOS-BRONZE PLATED WITH 1.27µm [.000050] THICK HARD GOLD IN LOCALIZED GOLD PLATE AREA AND 2.03µm [.000080] THICK MATTE TIN IN SOLDER AREA OVER 1.27µm [.000050] THICK NICKEL UNDERPLATE.
- CAVITY CONFORMS TO FCC RULES AND REGULATIONS PART 68 AND REA BULLETIN 345-81, PE-76 SPECIFICATION FOR MODULAR TELEPHONE HARDWARE.
- BULK PACKAGED IN A TRAY.
- TERMINALS FOR 5520250-1, -2, AND -1/1 LOCATED IN CENTER POSITIONS.



| DIM A                 | PACKAGED | COLOR | TERMINALS REQUIRED | PART NUMBER |
|-----------------------|----------|-------|--------------------|-------------|
| 2.16-2.67 [.085-.105] | 3        | BLACK | 4 4                | 1-5520250-1 |
| 3.30-4.32 [.130-.170] | 3        | BLACK | 6                  | 5520250-3   |
|                       |          | BLACK | 4 4                | 5520250-2   |
|                       |          | BLACK | 2 4                | 5520250-1   |

THIS DRAWING IS A CONTROLLED DOCUMENT. DWN T. WOOTEN/L.A. MAYER 12MAY2005  
 CHK J. WESTMAN 12MAY2005

TOLERANCES UNLESS OTHERWISE SPECIFIED:  
 0 PLC ± -  
 1 PLC ± -  
 2 PLC ± 0.13  
 3 PLC ± -  
 4 PLC ± -  
 ANGLES ± -

APPROVED S. FLICKINGER 12MAY2005

NAME: Tyco Electronics Corporation, Harrisburg, Pa 17105-3608

PRODUCT SPEC: MODULAR JACK ASSEMBLY, 6 POSITION, SIDE ENTRY, FLANGELESS, WITH PANEL STOPS

APPLICATION SPEC: -

SIZE: A1, CAGE CODE: 00779, DRAWING NO: 5520250

MATERIAL: SEE NOTE 1, FINISH: SEE NOTE 1, WEIGHT: -

CUSTOMER DRAWING, SCALE: 4:1, SHEET: 1 OF 1, REV: A