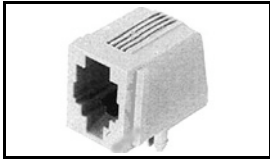


5520252-4 Product Details

[Share](#) [Print](#) [Email](#)




5520252-4

TE Internal Number: 5520252-4

 **Active**

 [View 3D PDF](#)

PCB Mounted Jacks - Single Port, Multi-port and Stacked

 Always EU RoHS/ELV Compliant
(Statement of Compliance)

Product Highlights:

- Connector
- Preloaded
- Single Port Configuration
- 1 x 1 Jack Configuration
- Jack Type = RJ45

[View all Features](#)

Quick Links

- ▶ [Pricing & Availability](#)
- ▶ [Search for Tooling](#)
- ▶ [Product Feature Selector](#)
- ▶ [Contact Us About This Product](#)

[Add to My Part List](#)

[Request Sample](#)

[Find Similar Products](#)

[Buy Product](#)

Documentation & Additional Information

Product Drawings:

- [MODULAR JACK ASSEMBLY, SIDE ENTRY, 8 POSITION, KEYED...](#) (PDF, English)

Catalog Pages/Data Sheets:

- [1-1773464-9_MODULAR JACKS_SINGLE_PORT_PCB_MOUNT](#) (PDF, English)

Product Specifications:

- [Modular Plugs, Thru-Hole and Surface Mount Jacks, Da...](#) (PDF, English)

Application Specifications:

- [Modular Jacks](#) (PDF, English)

Instruction Sheets:

- None Available

CAD Files: (CAD Format & Compression Information)

- [2D Drawing](#) (DXF, Version A)
- [3D Model](#) (IGES, Version A)
- [3D Model](#) (STEP, Version A)

[List all Documents](#)

Additional Information:

- [Product Line Information](#)

Related Products:

- [Tooling](#)

Product Features (Please use the Product Drawing for all design activity)

Product Type Features:

- Product Type = Connector
- Jack Type = RJ45
- PCB Mounting Orientation = Side Entry (Right Angle)
- PCB Mount Style = Through Hole
- Performance Category = Cat 3
- LED = Without
- Grounding Options = Without
- Panel Stops = With
- Keyed = Yes
- Profile = Standard
- Color = Black
- Latch Style = Standard

Contact Features:

- Solder Tail Contact Plating = Tin over Nickel
- Contact Plating, Mating Area, Material = Gold (50)
- Contact Base Material = Phosphor Bronze

Housing Features:

- Housing Material = PBT - GF

Configuration Features:

- Preloaded = Yes
- Port Configuration = Single
- Jack Configuration = 1 x 1
- Number of Positions = 8
- Shielded = No
- Number of Contacts Loaded = 8

<p>Mechanical Attachment:</p> <ul style="list-style-type: none"> Panel Mount Retention = With Flanged = No <p>Termination Features:</p> <ul style="list-style-type: none"> Termination Method to PC Board = Solder <p>Dimensions:</p> <ul style="list-style-type: none"> Height (mm [in]) = 16.20 [0.638] PCB Tail Length (mm [in]) = 3.80 [0.150] PCB Thickness, Recommended (mm [in]) = 1.57 [0.062] <p>Body Features:</p> <ul style="list-style-type: none"> Inverted Jack Face = No 	<p>Industry Standards:</p> <ul style="list-style-type: none"> RoHS/ELV Compliance = RoHS compliant, ELV compliant Lead Free Solder Processes = Wave solder capable to 240°C, Wave solder capable to 260°C, Wave solder capable to 265°C RoHS/ELV Compliance History = Always was RoHS compliant UL Flammability Rating = UL 94V-0 <p>Packaging Features:</p> <ul style="list-style-type: none"> Packaging Method = Tray <p>Product Availability:</p> <ul style="list-style-type: none"> Region = Asia, North America <p>Other:</p> <ul style="list-style-type: none"> Brand = AMP
--	--

Corporate Information

- [About TE](#)
- [Investors](#)
- [News Room](#)
- [Supplier Portal](#)
- [Careers](#)
- [Terms & Conditions](#)
- [Privacy Policy](#)

Quick Links

- [Distributor Inventory](#)
- [Product Cross Reference](#)
- [Documents & Drawings](#)
- [Product Compliance Support Center](#)
- [Site Map](#)

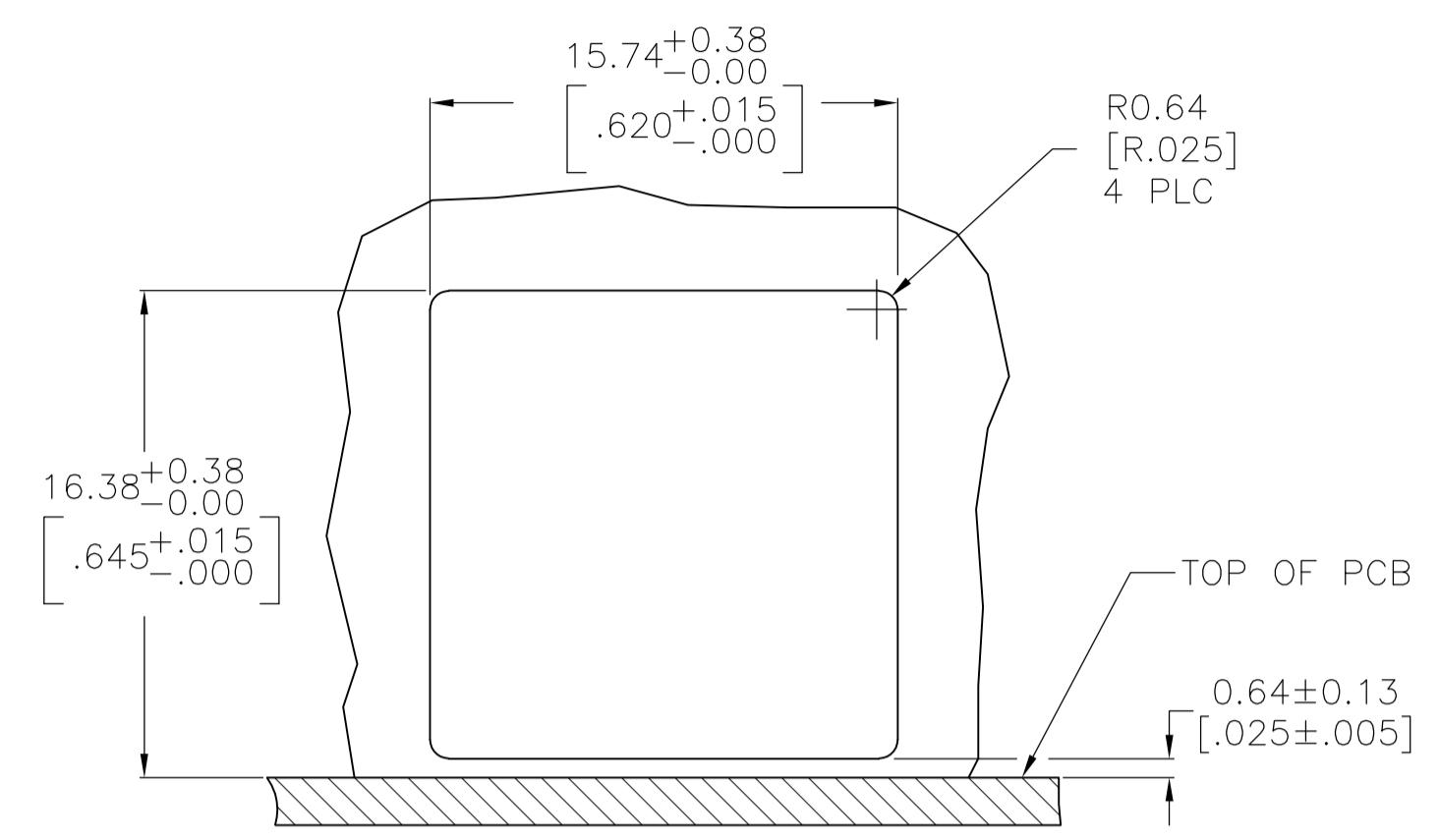
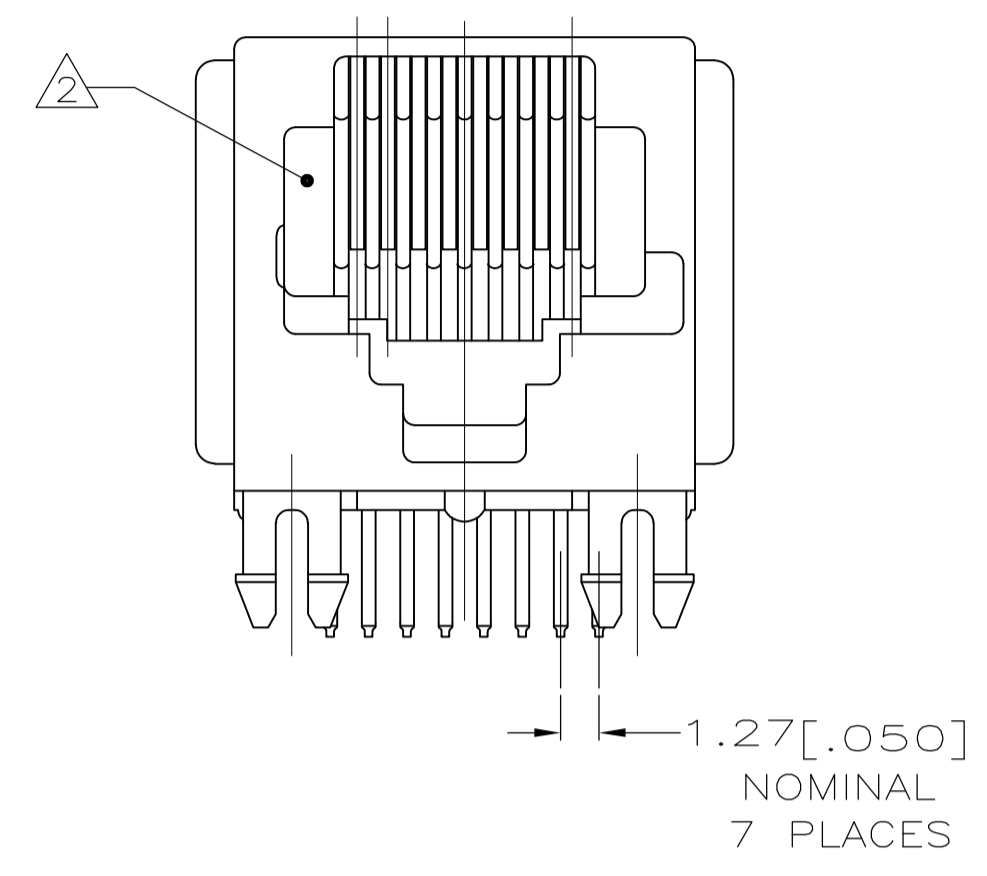
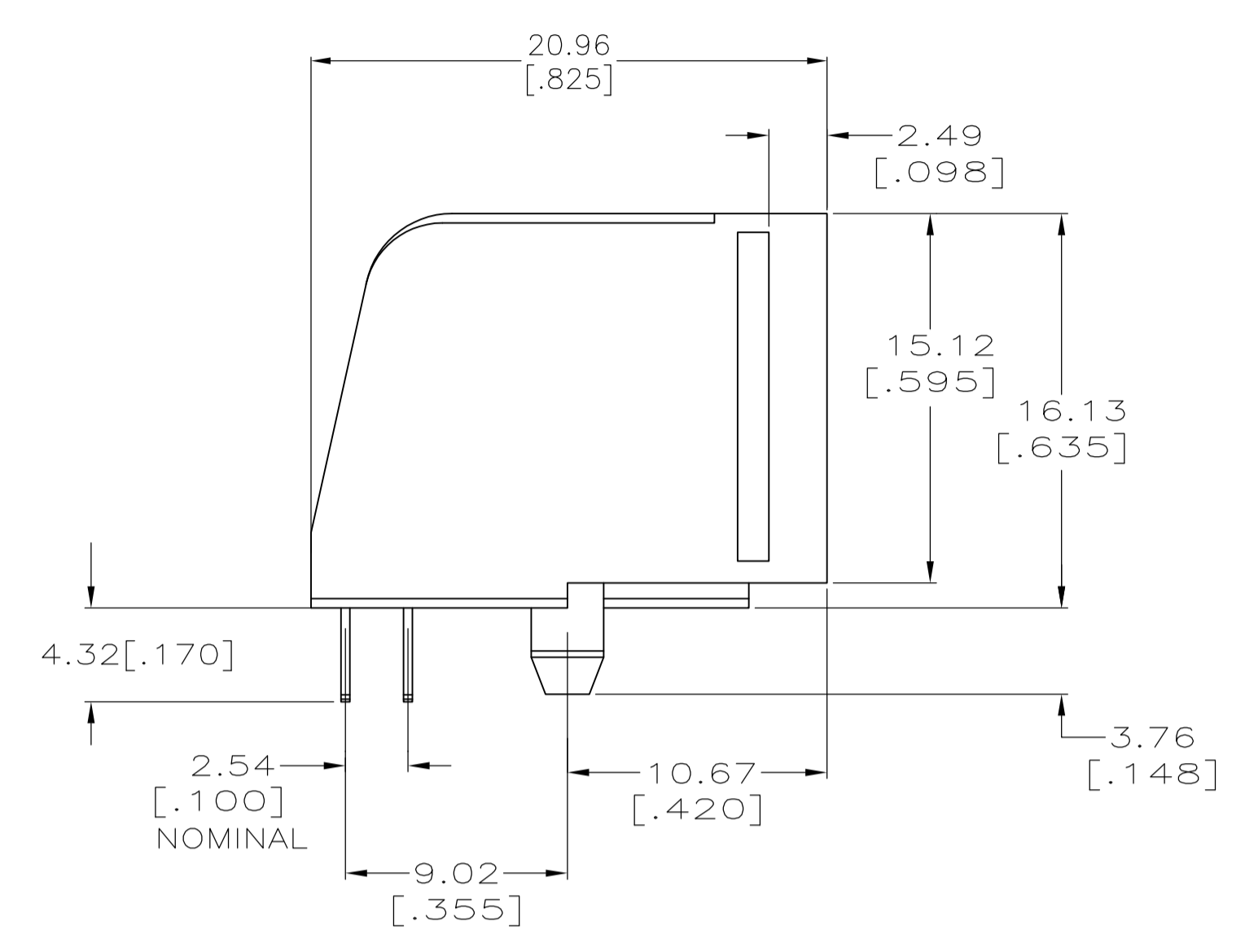
Customer Support

- [Email or Chat With Us](#)
- [Find a Phone Number](#)
- [Knowledge Base](#)
- [Manage Your Account](#)

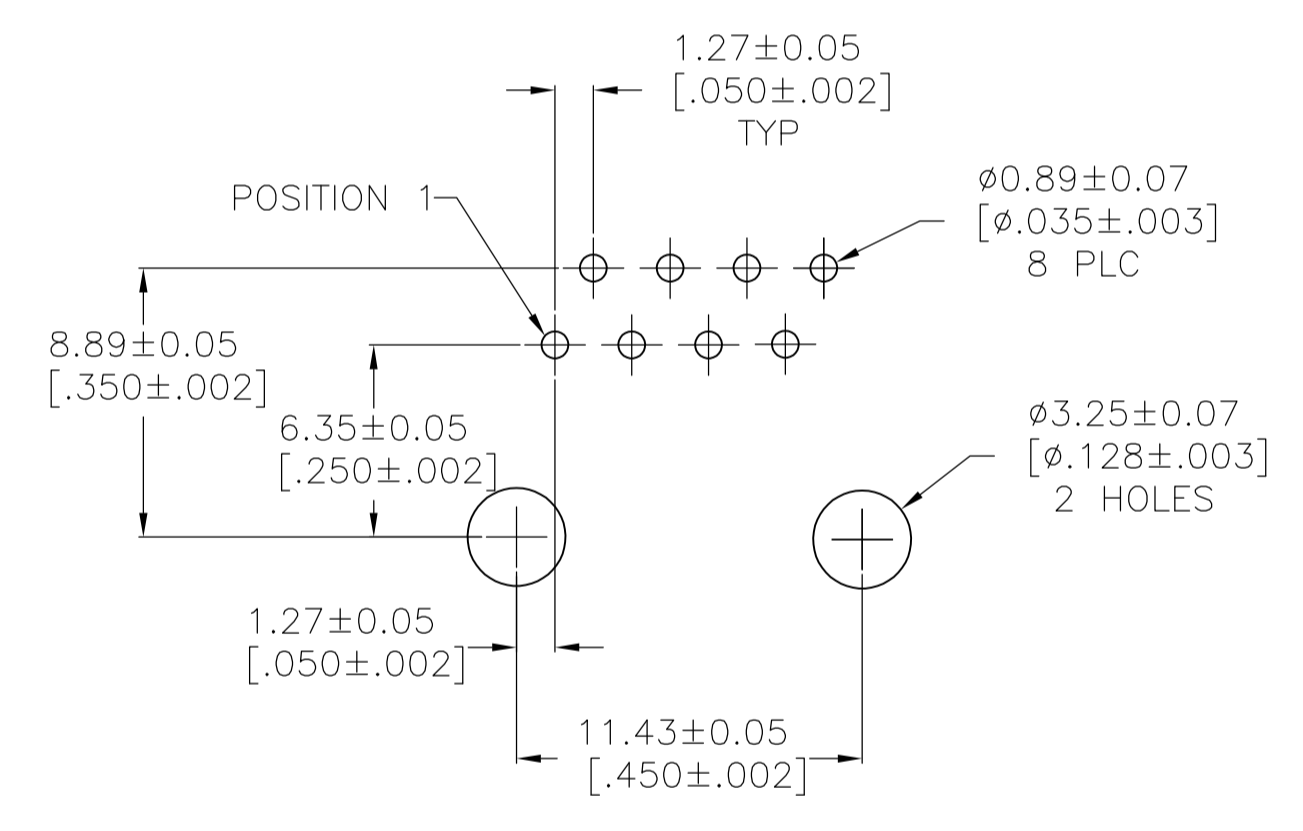
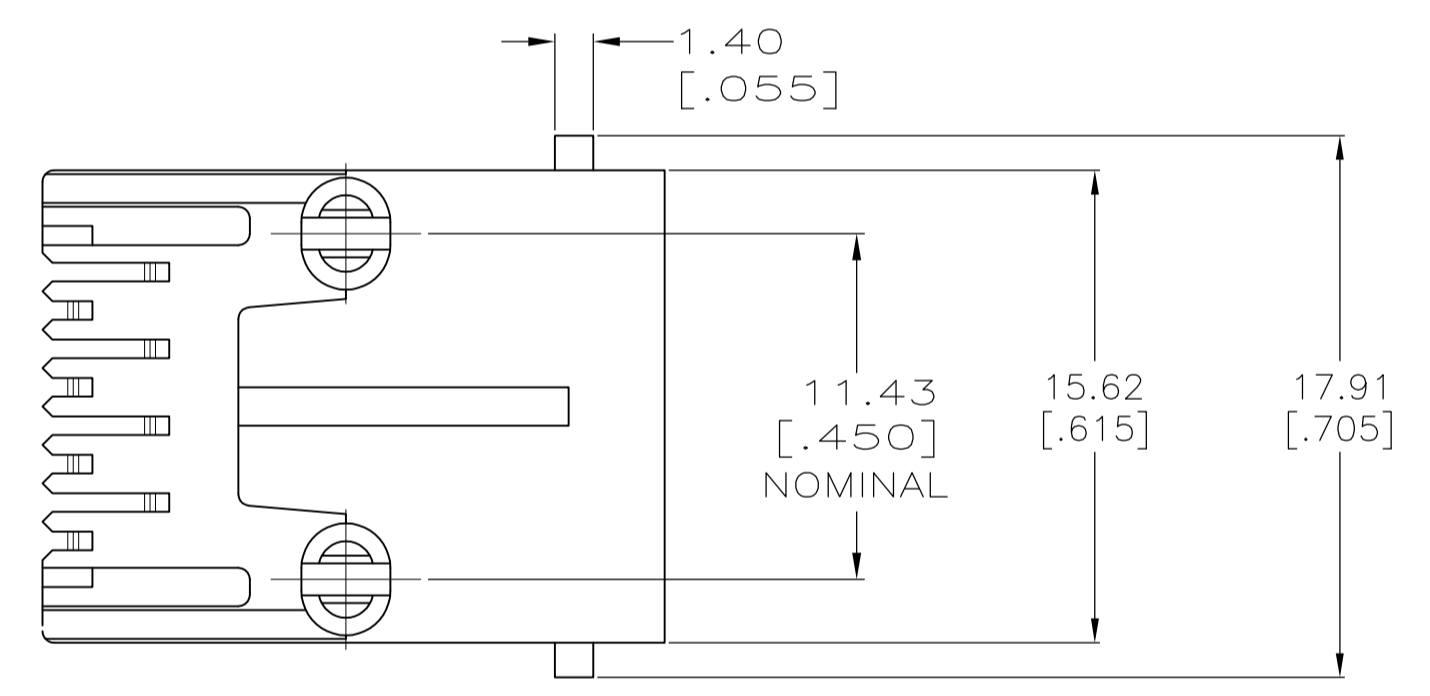
Keep Me Informed



LOC		DIST		REVISIONS			
P	LTR	DESCRIPTION	DATE	DWN	APVD		
B1		REVISED PER ECO-11-005033	23MAR11	RK	HMR		



- MATERIAL: HOUSING PBT POLYESTER, COLOR: BLACK. TERMINAL-0.36 [0.014] THICK PHOS-BRONZE PLATED WITH 1.27um [0.00050] MINIMUM THICK HARD GOLD IN LOCALIZED GOLD PLATE AREA AND 3.81um [0.00150] MINIMUM THICK MATTE TIN IN SOLDER AREA OVER 1.27um [0.00050] MINIMUM THICK NICKEL UNDERPLATE.
- CAVITY CONFORMS TO FCC RULES AND REGULATIONS PART 68 AND REA BULLETIN 345-81, PE-76 SPECIFICATION FOR MODULAR TELEPHONE HARDWARE.
- ALL DIMENSIONS SHOWN ARE MAXIMUM UNLESS OTHERWISE SPECIFIED.



RECOMMENDED PRINTED CIRCUIT BOARD LAYOUT COMPONENT SIDE SHOWN

8	5520252-4
CONTACTS	PART NUMBER

THIS DRAWING IS A CONTROLLED DOCUMENT.		DIN G. ATTADIA - 06/JUN/2005		STE Connectivity	
DIMENSIONS: mm [INCHES]		CHK J. WESTMAN 06/JUN/2005		NAME	
TOLERANCES UNLESS OTHERWISE SPECIFIED:		APVD S. FLICKINGER 06/JUN/2005		MODULAR JACK ASSEMBLY, SIDE ENTRY, 8 POSITION, KEYED, FLANGELESS, WITH PANEL STOPS	
0 PLC ± -		PRODUCT SPEC		108-1163	
1 PLC ± -		APPLICATION SPEC		114-2048	
2 PLC ± 0.13[005]		SIZE		A1	
3 PLC ± -		CAGE CODE		5520252	
4 PLC ± -		DRAWING NO		CUSTOMER DRAWING	
ANGLES ± -		RESTRICTED TO		SCALE 4:1 SHEET 1 OF 1 REV B1	
MATERIAL SEE NOTE 1		FINISH SEE NOTE 1		WEIGHT -	