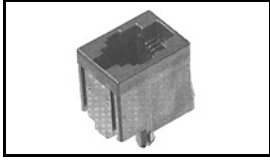


5520257-2 Product Details

[Share](#) [Print](#) [Email](#)




5520257-2

TE Internal Number: 5520257-2

 **Active**

 [View 3D PDF](#)

PCB Mounted Jacks - Single Port, Multi-port and Stacked

 Always EU RoHS/ELV Compliant
(Statement of Compliance)

Product Highlights:

- Connector
- Preloaded
- Single Port Configuration
- 1 x 1 Jack Configuration
- Jack Type = RJ22

[View all Features](#)

Quick Links

- ▶ [Pricing & Availability](#)
- ▶ [Search for Tooling](#)
- ▶ [Product Feature Selector](#)
- ▶ [Contact Us About This Product](#)

[Add to My Part List](#)

[Request Sample](#)

[Find Similar Products](#)

[Buy Product](#)

Documentation & Additional Information

Product Drawings:

- [PCB MODULAR JACK ASSEMBLY, TOP ENTRY, 4 POSITION, FL... \(PDF, English\)](#)

Catalog Pages/Data Sheets:

- [1-1773464-9_MODULAR JACKS_SINGLE_PORT_PCB_MOUNT \(PDF, English\)](#)
- [82066 - Modular Jacks and MRJ21 Product catalog - Si... \(PDF, English\)](#)

Product Specifications:

- [Modular Plugs, Thru-Hole and Surface Mount Jacks, Da... \(PDF, English\)](#)

Application Specifications:

- [Modular Jacks \(PDF, English\)](#)

Instruction Sheets:

- None Available

CAD Files: (CAD Format & Compression Information)

- [2D Drawing \(DXF, Version B\)](#)
- [3D Model \(IGES, Version B\)](#)
- [3D Model \(STEP, Version B\)](#)

[List all Documents](#)

Additional Information:

- [Product Line Information](#)

Additional Product Images:

- [PCB Layout](#)
- [Panel Cutout](#)

Related Products:

- [Tooling](#)

Product Features (Please use the Product Drawing for all design activity)

Product Type Features:

- Product Type = Connector
- Jack Type = RJ22
- PCB Mounting Orientation = Top Entry (Vertical)
- PCB Mount Style = Through Hole
- Termination Method to PC Board = Solder
- Performance Category = Cat 3
- LED = Without
- Grounding Options = Without
- Panel Stops = With
- Keyed = No
- Profile = Standard
- Color = Black

Body Features:

- Inverted Jack Face = No

Contact Features:

- Contact Plating, Mating Area, Material = Gold (50)
- Contact Base Material = Phosphor Bronze

Housing Features:

- Housing Material = PBT - GF
- UL Flammability Rating = UL 94V-0

Configuration Features:

- Preloaded = Yes

- Latch Style = Standard

Mechanical Attachment:

- [Panel Mount Retention](#) = With
- Flanged = No

Electrical Characteristics:

- [Shielded](#) = No

Termination Features:

- [Solder Tail Contact Plating](#) = Tin over Nickel

Dimensions:

- [Height \(mm \[in\]\)](#) = 16.50 [0.650]
- [PCB Tail Length \(mm \[in\]\)](#) = 3.18 [0.125]
- [PCB Thickness, Recommended \(mm \[in\]\)](#) = 1.57 [0.062]

- [Port Configuration](#) = Single
- [Jack Configuration](#) = 1 x 1
- [Number of Positions](#) = 4
- [Number of Contacts Loaded](#) = 4

Industry Standards:

- [RoHS/ELV Compliance](#) = RoHS compliant, ELV compliant
- [Lead Free Solder Processes](#) = Wave solder capable to 240°C, Wave solder capable to 260°C, Wave solder capable to 265°C
- [RoHS/ELV Compliance History](#) = Always was RoHS compliant

Packaging Features:

- [Packaging Method](#) = Tray

Product Availability:

- [Region](#) = Asia, North America

Other:

- [Brand](#) = AMP

Corporate Information

[About TE](#)
[Investors](#)
[News Room](#)
[Supplier Portal](#)
[Careers](#)
[Terms & Conditions](#)
[Privacy Policy](#)

Quick Links

[Distributor Inventory](#)
[Product Cross Reference](#)
[Documents & Drawings](#)
[Product Compliance Support Center](#)
[Site Map](#)

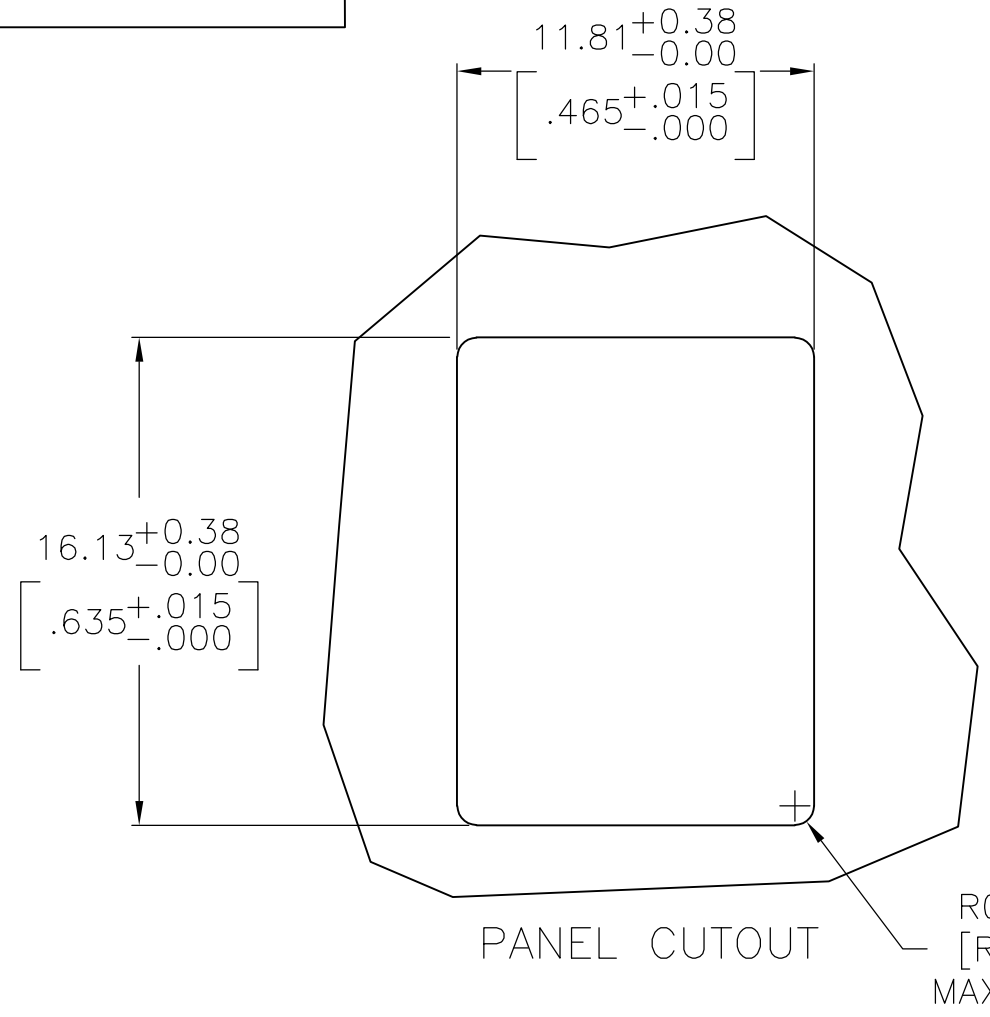
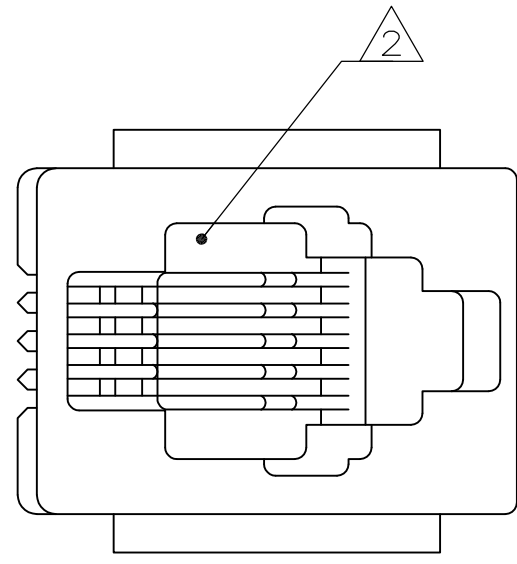
Customer Support

[Email or Chat With Us](#)
[Find a Phone Number](#)
[Knowledge Base](#)
[Manage Your Account](#)

Keep Me Informed

THIS DRAWING IS UNPUBLISHED. RELEASED FOR PUBLICATION
 © COPYRIGHT - By - ALL RIGHTS RESERVED.

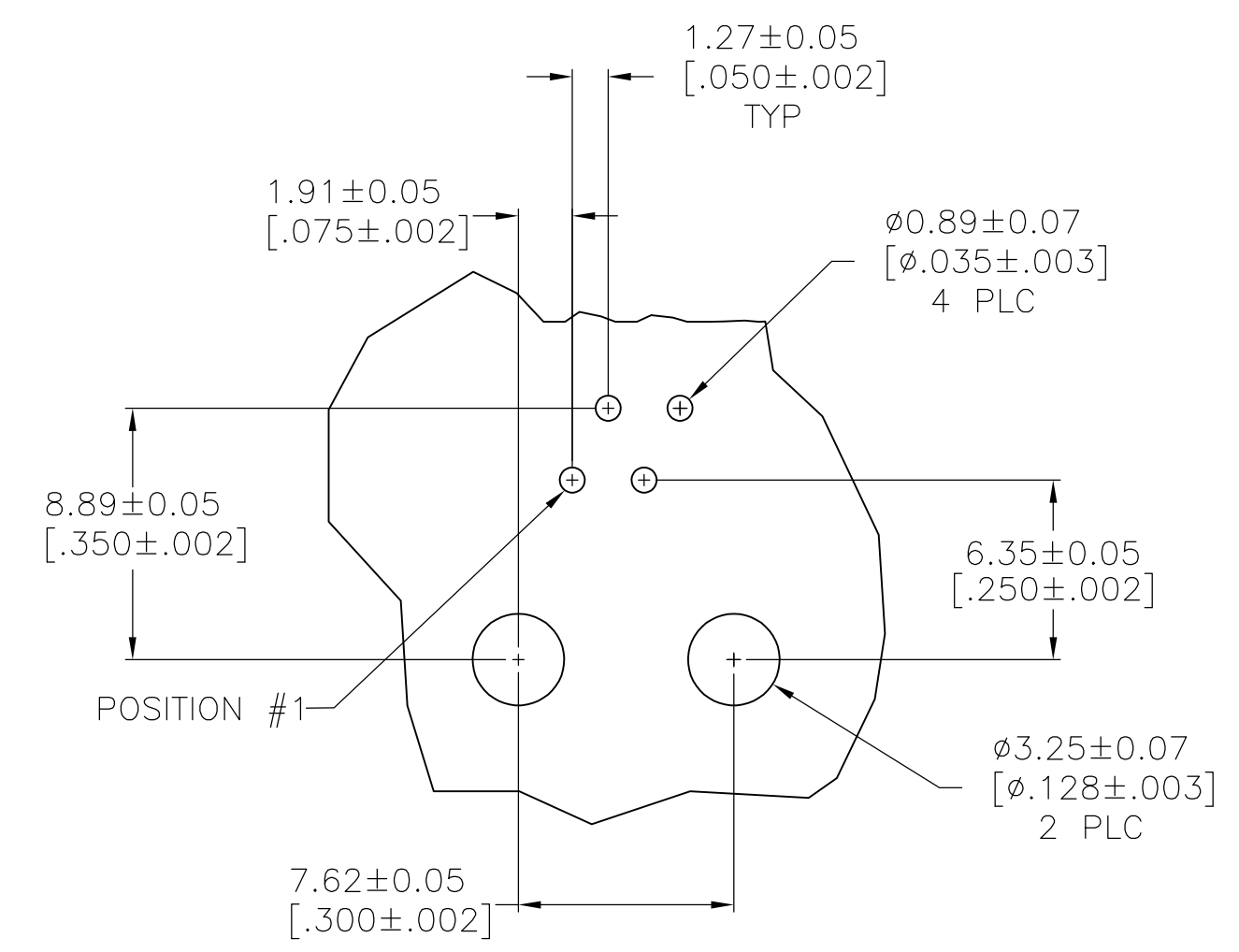
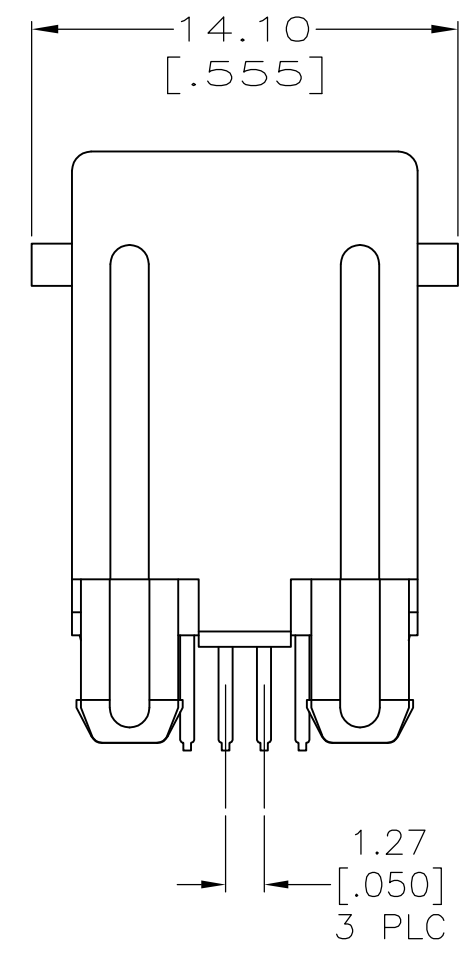
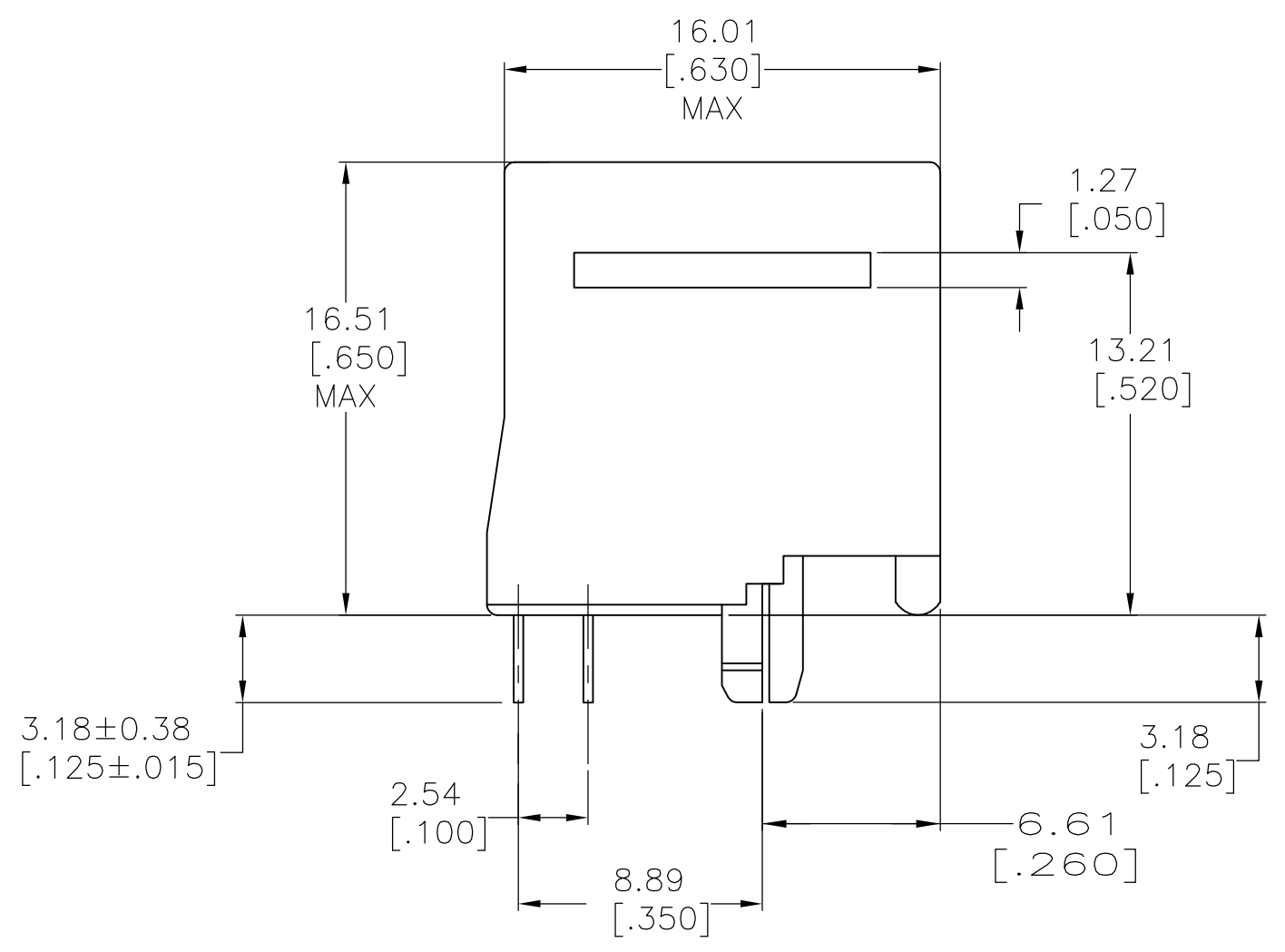
| LOC | DIST | REVISIONS | | | |
|-----|------|-------------|---------------------------|---------|--------|
| P | LTR | DESCRIPTION | DATE | DWN | APVD |
| AA | 00 | B1 | REVISED PER ECO-11-005033 | 23MAR11 | RK HMR |



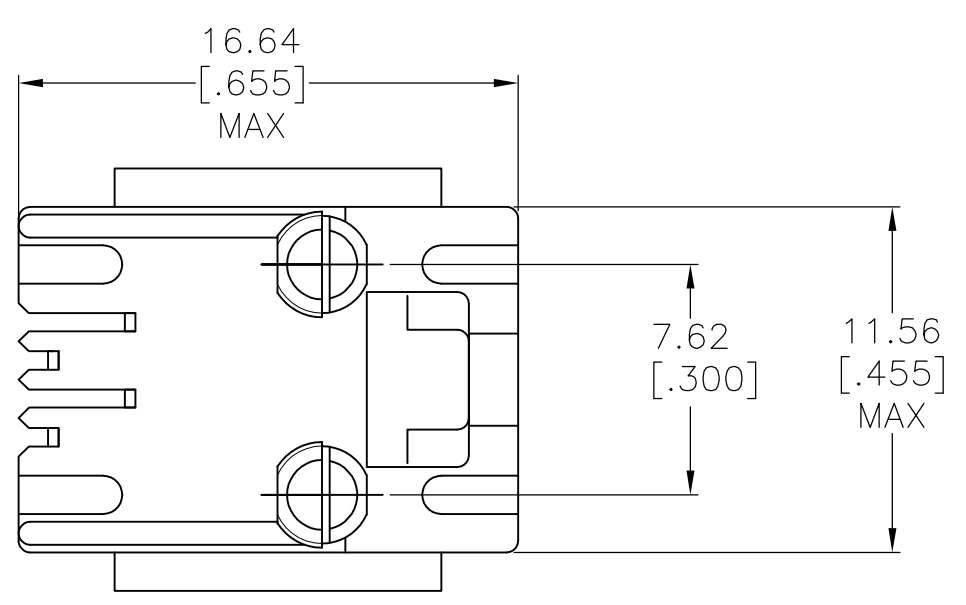
1. MATERIAL: HOUSING - PBT POLYESTER, COLOR: BLACK.
 TERMINAL - 0.36[.014] THICK PHOS BRONZE PLATED WITH 1.27μm[.000050] MINIMUM THICK HARD GOLD IN LOCALIZED GOLD PLATE AREA AND 3.81μm[.000150] MINIMUM THICK MATTE TIN IN SOLDER AREA OVER 1.27μm[.000050] MINIMUM THICK NICKEL UNDERPLATE.

△2 CAVITY CONFORMS TO FCC RULES AND REGULATIONS PART 68 AND REA BULLETIN 345-.81 PE-76 SPECIFICATION FOR MODULAR TELEPHONE HARDWARE.

△3 BULK PACKAGED IN A TRAY.



SUGGESTED PRINTED CIRCUIT BOARD LAYOUT COMPONENT SIDE



| | |
|----------|-------------|
| △3 | 5520257-2 |
| PACKAGED | PART NUMBER |

| | | | | |
|--|--|-----------------------------|-------------------------------|--|
| THIS DRAWING IS A CONTROLLED DOCUMENT. | | DWN L.A.MAYER 16AUG2007 | TE Connectivity | |
| DIMENSIONS: mm [INCHES] | | CHK P.RECCE 16AUG2007 | | |
| TOLERANCES UNLESS OTHERWISE SPECIFIED: | | APVD S.FLICKINGER 16AUG2007 | NAME | |
| 0 PLC ± - | | PRODUCT SPEC | 108-1163 | |
| 1 PLC ± - | | APPLICATION SPEC | 114-2048 | |
| 2 PLC ± 0.13[.005] | | WEIGHT | - | |
| 3 PLC ± - | | CUSTOMER DRAWING | SCALE 4:1 SHEET 1 OF 1 REV B1 | |
| 4 PLC ± - | | | | |
| ANGLES ± - | | | | |
| FINISH | | | | |
| SEE NOTE 1 | | | | |