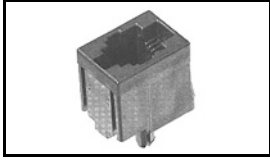


5520258-2 Product Details

[Share](#) [Print](#) [Email](#)




5520258-2

TE Internal Number: 5520258-2

 Active

[View 3D PDF](#)

PCB Mounted Jacks - Single Port, Multi-port and Stacked

 Always EU RoHS/ELV Compliant
(Statement of Compliance)

Product Highlights:

- Connector
- Preloaded
- Single Port Configuration
- 1 x 1 Jack Configuration
- Jack Type = RJ14

[View all Features](#)

Quick Links

- ▶ [Pricing & Availability](#)
- ▶ [Search for Tooling](#)
- ▶ [Product Feature Selector](#)
- ▶ [Contact Us About This Product](#)

[Add to My Part List](#)

[Request Sample](#)

[Find Similar Products](#)

[Buy Product](#)

Documentation & Additional Information

Product Drawings:

- [MODULAR JACK ASSEMBLY, TOP ENTRY, 6 POSITION, FLANGE...](#) (PDF, English)

Catalog Pages/Data Sheets:

- [1-1773464-9_MODULAR JACKS_SINGLE_PORT_PCB_MOUNT](#) (PDF, English)

Product Specifications:

- [Modular Plugs, Thru-Hole and Surface Mount Jacks, Da...](#) (PDF, English)

Application Specifications:

- [Modular Jacks](#) (PDF, English)

Instruction Sheets:

- None Available

CAD Files: (CAD Format & Compression Information)

- [2D Drawing](#) (DXF, Version A)
- [3D Model](#) (IGES, Version A)
- [3D Model](#) (STEP, Version A)

[List all Documents](#)

Additional Information:

- [Product Line Information](#)

Additional Product Images:

- [PCB Layout](#)
- [Panel Cutout](#)

Related Products:

- [Tooling](#)

Product Features (Please use the Product Drawing for all design activity)

Product Type Features:

- Product Type = Connector
- Jack Type = RJ14
- PCB Mounting Orientation = Top Entry (Vertical)
- PCB Mount Style = Through Hole
- Performance Category = Cat 3
- LED = Without
- Grounding Options = Without
- Panel Stops = With
- Keyed = No
- Profile = Standard
- Color = Black
- Latch Style = Standard

Mechanical Attachment:

Housing Features:

- Housing Material = PBT - GF
- UL Flammability Rating = UL 94V-0

Configuration Features:

- Preloaded = Yes
- Port Configuration = Single
- Jack Configuration = 1 x 1
- Number of Positions = 6
- Shielded = No
- Number of Contacts Loaded = 4

Industry Standards:

- [RoHS/ELV Compliance](#) = RoHS compliant, ELV compliant

- [Panel Mount Retention](#) = With
- Flanged = No

Termination Features:

- [Termination Method to PC Board](#) = Solder

Dimensions:

- [Height \(mm \[in\]\)](#) = 16.50 [0.650]
- [PCB Tail Length \(mm \[in\]\)](#) = 3.18 [0.125]
- [PCB Thickness, Recommended \(mm \[in\]\)](#) = 1.57 [0.062]

Body Features:

- [Inverted Jack Face](#) = No

Contact Features:

- [Solder Tail Contact Plating](#) = Tin over Nickel
- [Contact Plating, Mating Area, Material](#) = Gold (50)
- [Contact Base Material](#) = Phosphor Bronze

- [Lead Free Solder Processes](#) = Wave solder capable to 260°C, Wave solder capable to 240°C, Wave solder capable to 265°C
- [RoHS/ELV Compliance History](#) = Always was RoHS compliant

Packaging Features:

- [Packaging Method](#) = Tray
- [Packaging Quantity](#) = Bulk

Product Availability:

- [Region](#) = Asia, North America

Other:

- [Brand](#) = TE Connectivity

Corporate Information

- [About TE](#)
- [Investors](#)
- [News Room](#)
- [Supplier Portal](#)
- [Careers](#)
- [Terms & Conditions](#)
- [Privacy Policy](#)

Quick Links

- [Distributor Inventory](#)
- [Product Cross Reference](#)
- [Documents & Drawings](#)
- [Product Compliance Support Center](#)
- [Site Map](#)

Customer Support

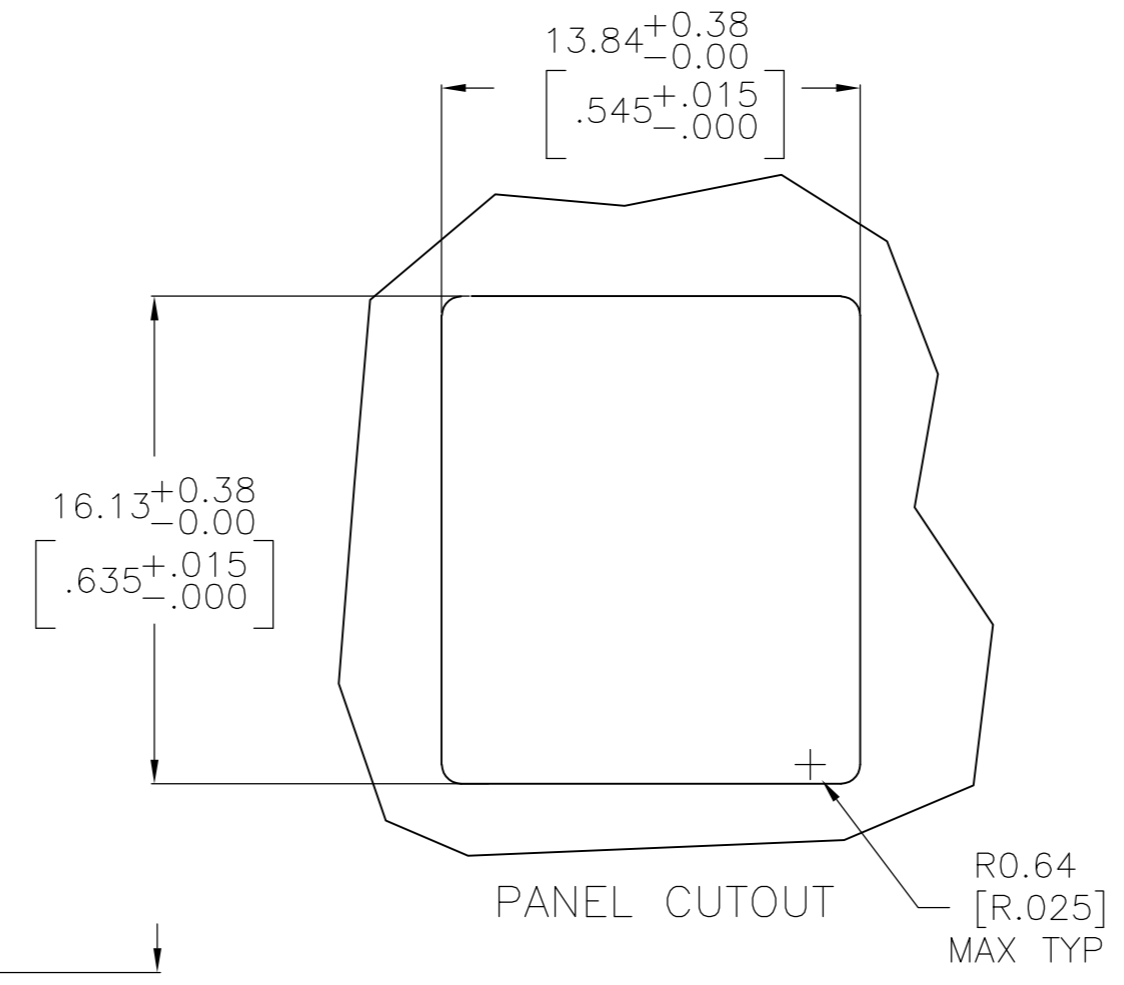
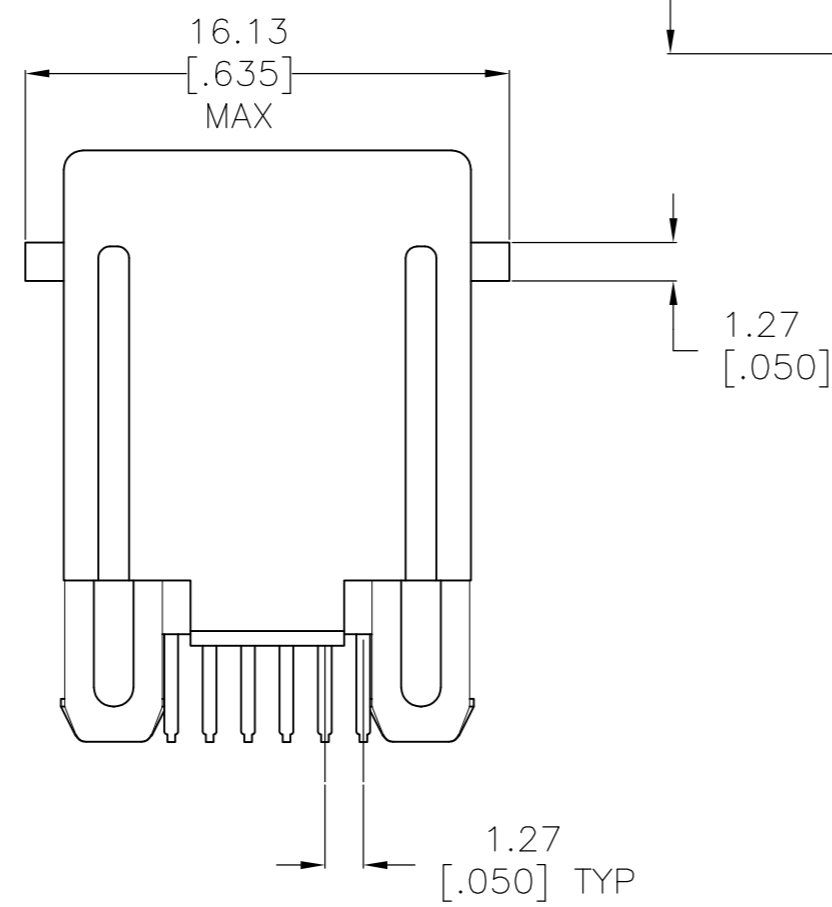
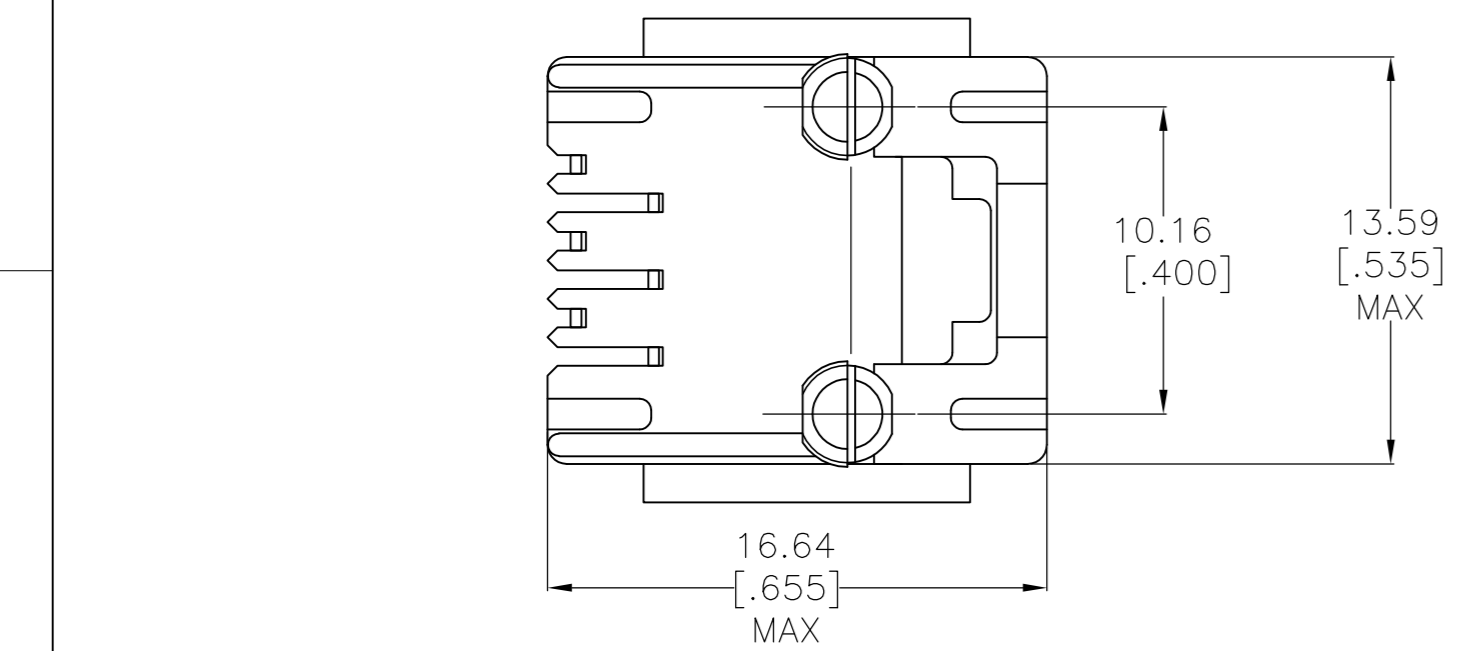
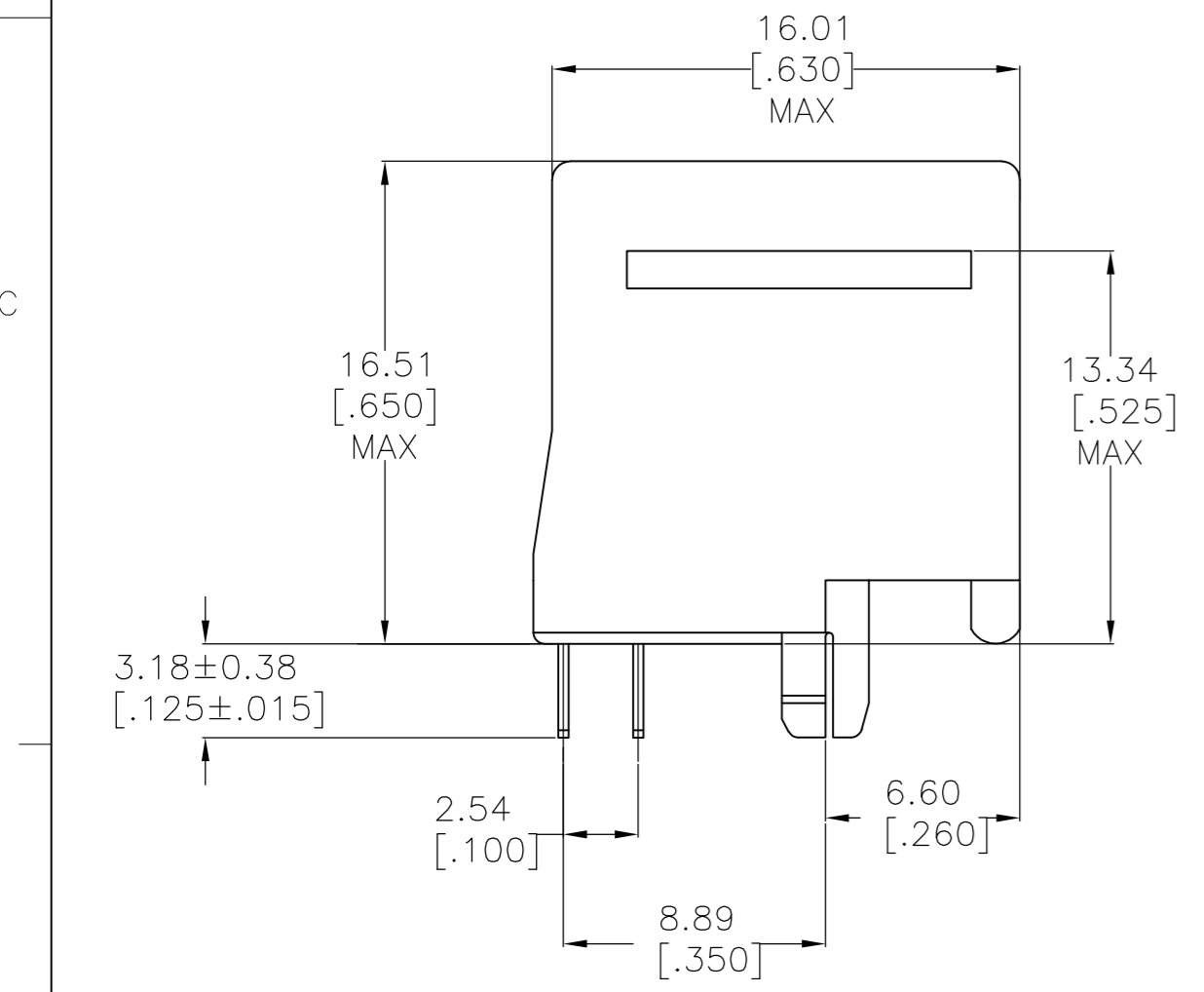
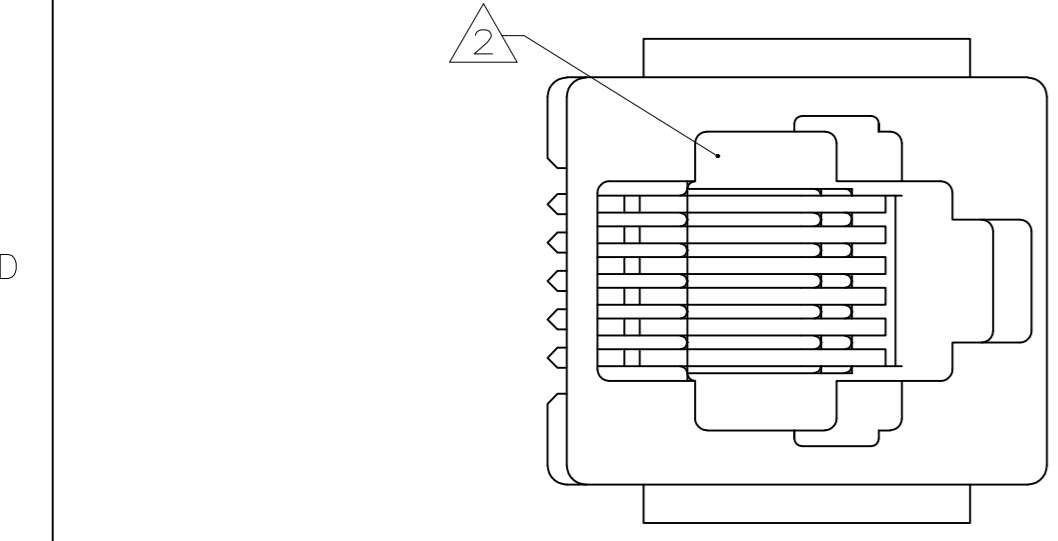
- [Email or Chat With Us](#)
- [Find a Phone Number](#)
- [Knowledge Base](#)
- [Manage Your Account](#)

Keep Me Informed



THIS DRAWING IS UNPUBLISHED. RELEASED FOR PUBLICATION
 © COPYRIGHT - By - ALL RIGHTS RESERVED.

LOC		DIST		REVISIONS			
P	LTR	DESCRIPTION	DATE	DWN	APVD		
AA	00	B1	REVISED PER ECO-11-005033	23MAR11	RK	HMR	

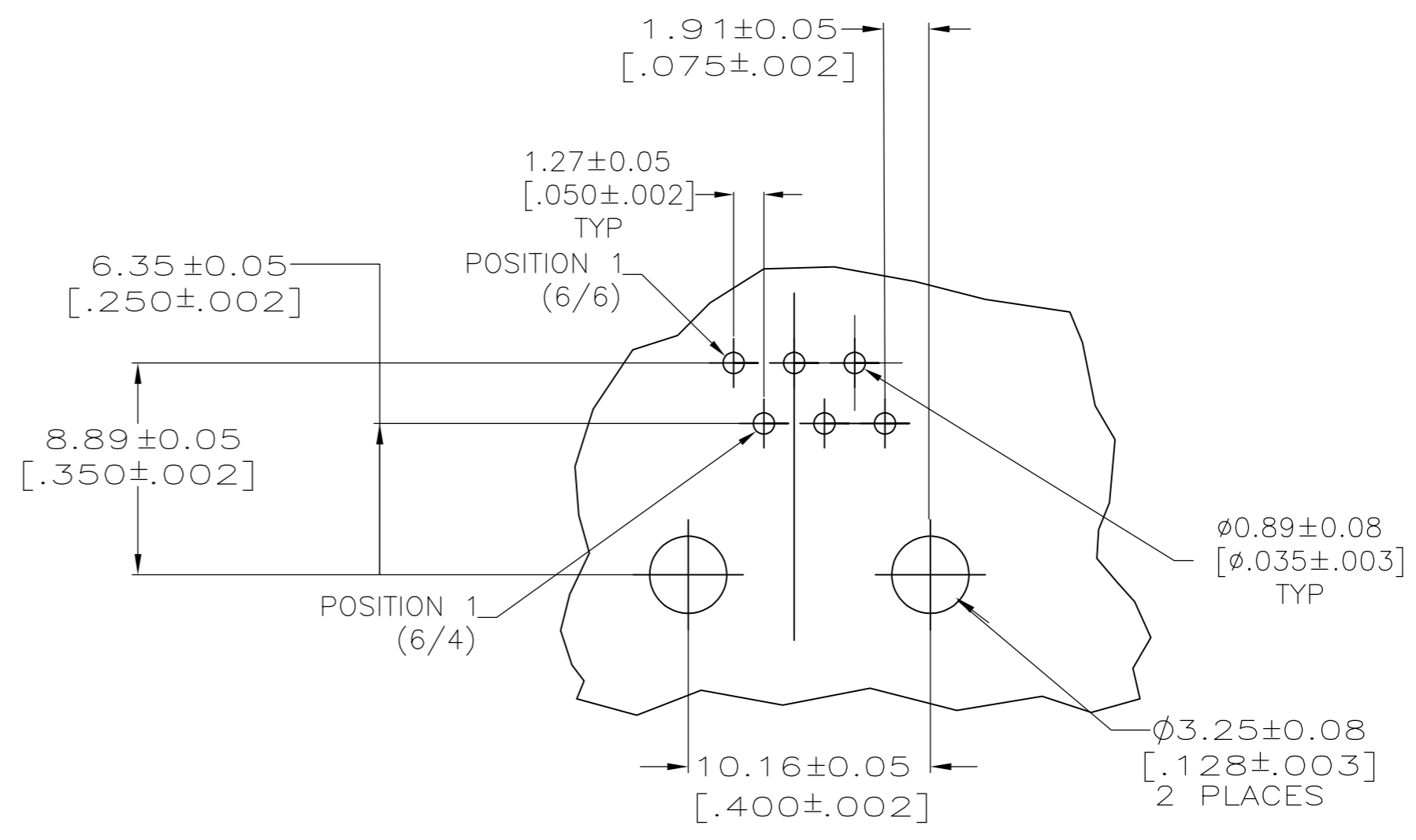


1. MATERIAL: HOUSING - BLACK PBT POLYESTER, BLACK, UL 94V-0.
 TERMINAL - 0.36 [.014] THICK PHOS-BRONZE PLATED WITH 1.27µm [.000050] MINIMUM THICK GOLD IN LOCALIZED AREA AND 3.81µm [.000150] MINIMUM THICK MATTE TIN IN SOLDER AREA OVER 1.27µm [.000050] MINIMUM THICK NICKEL UNDERPLATE.

△ JACK CAVITY CONFORMS TO FCC RULES AND REGULATIONS PART 68 AND REA BULLETIN 345-81, PE-76 SPECIFICATION FOR MODULAR TELEPHONE HARDWARE.

△ BULK PACKAGE IN A TRAY

△ PACKAGED 28 PIECES PER TUBE



SUGGESTED PC BOARD LAYOUT
 COMPONENT SIDE

△	6	5520258-4
△	6	5520258-3
△	4	5520258-2
PACKAGED	CONTACTS	PART NUMBER

THIS DRAWING IS A CONTROLLED DOCUMENT.		DWN	L.A.MAYER	16AUG2007	 TE Connectivity	NAME		MODULAR JACK ASSEMBLY, TOP ENTRY, 6 POSITION, FLANGELESS, WITH PANEL STOPS		
DIMENSIONS: mm [INCHES]		CHK	P.RECCE	16AUG2007		PRODUCT SPEC		108-1163	SIZE	A2
TOLERANCES UNLESS OTHERWISE SPECIFIED:		APVD	S. FLICKINGER	16AUG2007		APPLICATION SPEC		114-2048	CAGE CODE	00779
0 PLC ± - 1 PLC ± - 2 PLC ± 0.13[.005] 3 PLC ± - 4 PLC ± - ANGLES ± - FINISH SEE NOTE 1		MATERIAL		WEIGHT		DRAWING NO		5520258	RESTRICTED TO	-
SEE NOTE 1		SEE NOTE 1		CUSTOMER DRAWING		SCALE		4:1	SHEET	1 OF 1
								REV	B1	