

Distributed by:

**JAMECO**<sup>®</sup>  
ELECTRONICS

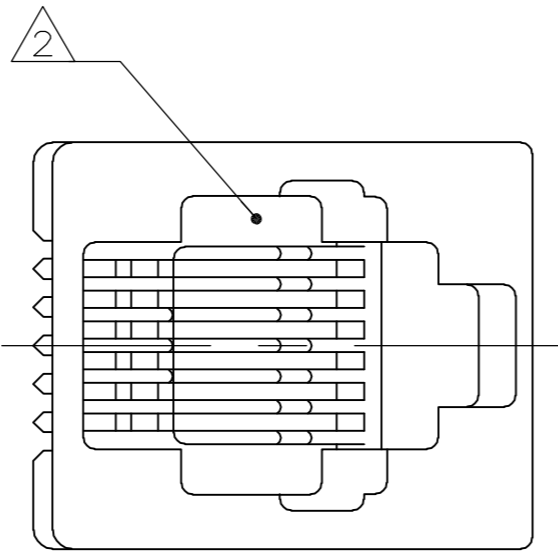
**www.Jameco.com ♦ 1-800-831-4242**

The content and copyrights of the attached  
material are the property of its owner.

Jameco Part Number 956272

THIS DRAWING IS UNPUBLISHED. RELEASED FOR PUBLICATION  
 © COPYRIGHT BY TYCO ELECTRONICS CORPORATION. ALL RIGHTS RESERVED.

LOC	DIST	REVISIONS					
AA	00	P	LTR	DESCRIPTION	DATE	DWN	APVD
		B		ECO-06-010340	05MAY2006	LAM	JW



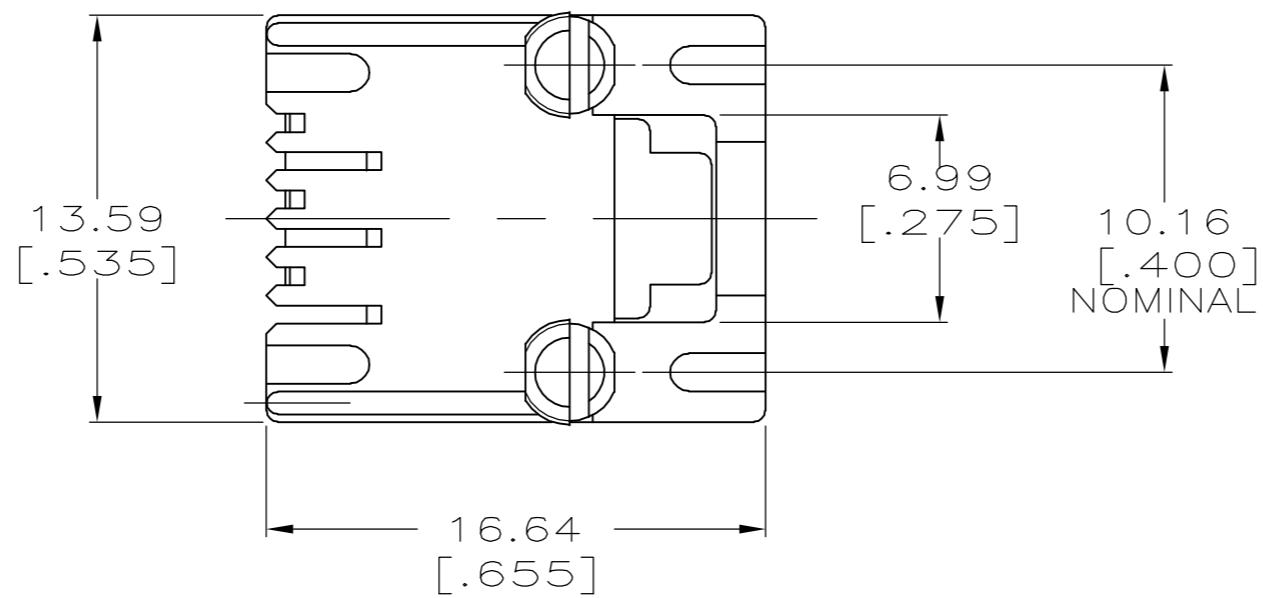
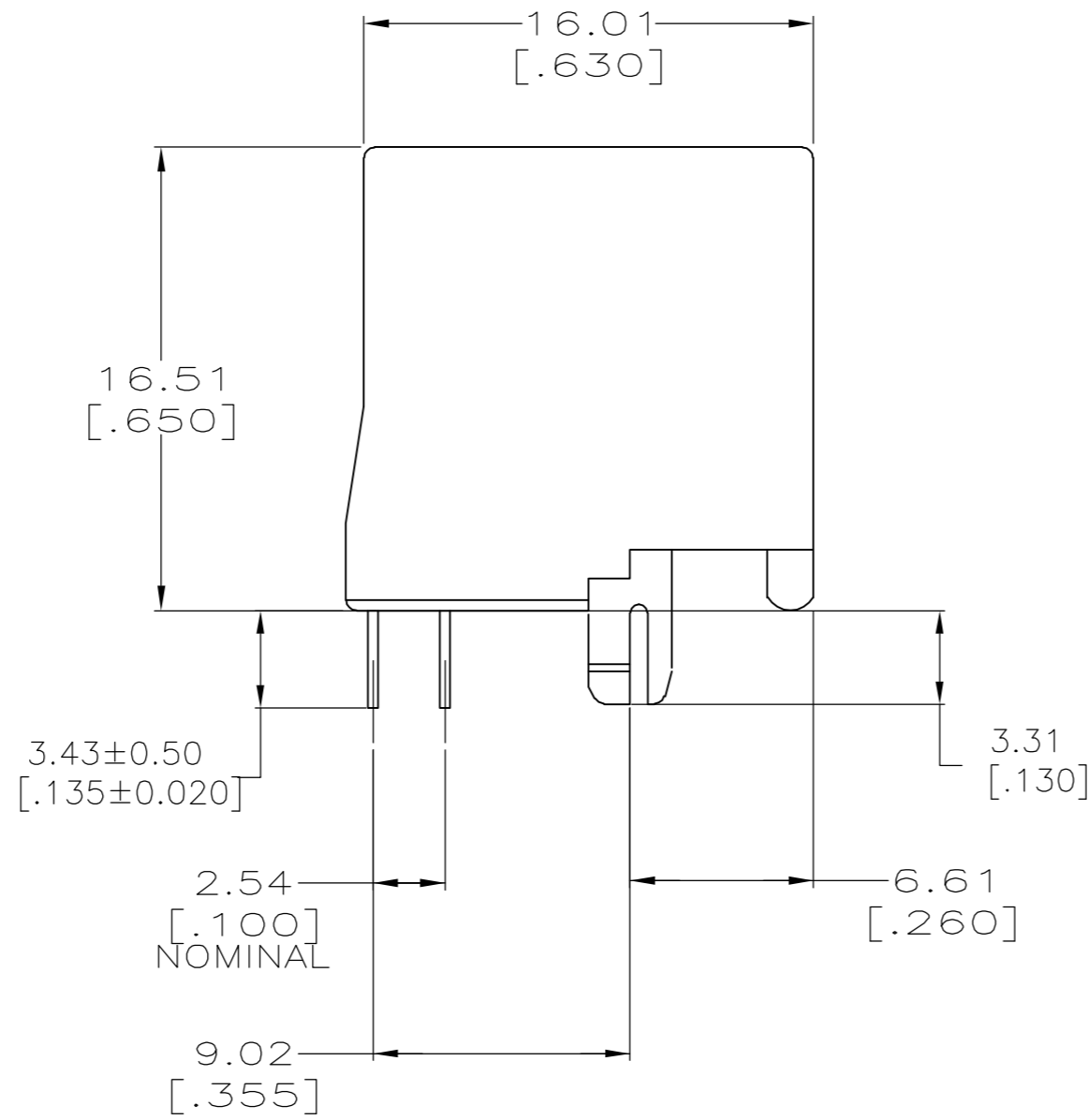
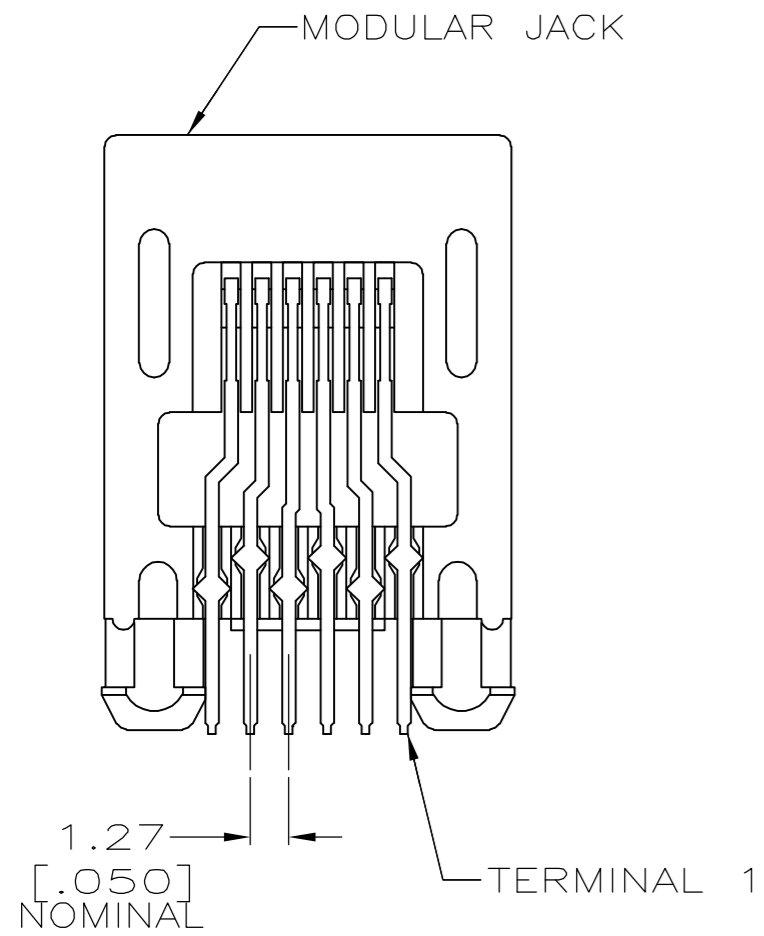
1. MATERIAL:  
 HOUSING - PBT POLYESTER BLACK.  
 TERMINAL - PHOS-BRONZE PLATED WITH 1.27μm [.000050] THICK HARD GOLD IN LOCALIZED GOLD PLATE AREA AND 2.03μm [.000080] THICK MATTE TIN IN SOLDER AREA AVER 1.27μm [.000050] THICK NICKEL UNDERPLATE.

2. CAVITY CONFORMS TO FCC RULES AND REGULATIONS PART 68 AND REA BULLETIN 345-.81 PE-76 SPECIFICATION FOR MODULAR TELEPHONE HARDWARE.

3. DIMENSION ARE MAXIMUM UNLESS OTHERWISE SPECIFIED.

4. BULK PACKAGED IN A TRAY

5. 34 ASSEMBLIES PACKAGED IN A TUBE.



5	6	5520425-4
4	6	5520425-3
4	4	5520425-2
PACKAGED	TERMINALS	PART NUMBER

THIS DRAWING IS A CONTROLLED DOCUMENT.		DWN	R.GRZYBOWSKI 04MAY05		tyco Electronics		Tyco Electronics Corporation			
DIMENSIONS: mm		CHK	S.FLICKINGER 04MAY05		NAME		Harrisburg, Pa 17105-3608			
TOLERANCES UNLESS OTHERWISE SPECIFIED:		APVD	S.FLICKINGER 04MAY05		PRODUCT SPEC		MODULAR JACK ASSEMBLY, TOP ENTRY, 6 POSITION, WITHOUT PANEL STOPS			
0 PLC ± -		APPLICATION SPEC		108-1392		SIZE	CAGE CODE	DRAWING NO	RESTRICTED TO	
1 PLC ± -		WEIGHT		114-2048		A2	00779	C=5520425	-	
2 PLC ± -		MATERIAL		SEE NOTE 1		SCALE		SHEET	OF	REV
3 PLC ± -		FINISH		SEE NOTE 1		4:1		1	1	B
4 PLC ± -		CUSTOMER DRAWING								
ANGLES ± -										
FINISH ± -										

5520425