

Distributed by:

**JAMECO**<sup>®</sup>  
ELECTRONICS

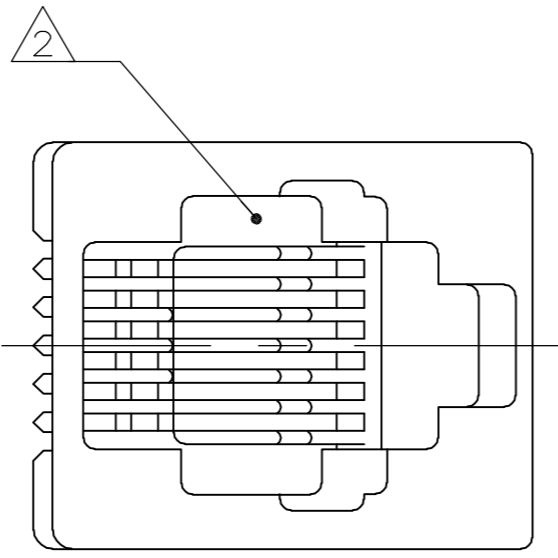
**www.Jameco.com ♦ 1-800-831-4242**

The content and copyrights of the attached  
material are the property of its owner.

Jameco Part Number 956301

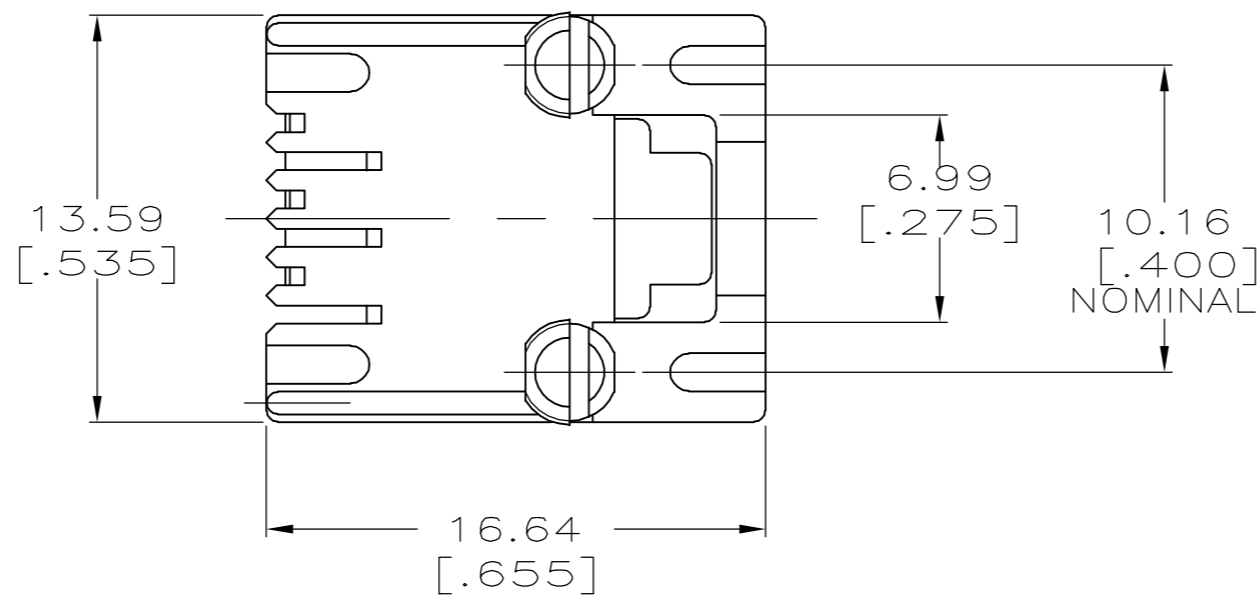
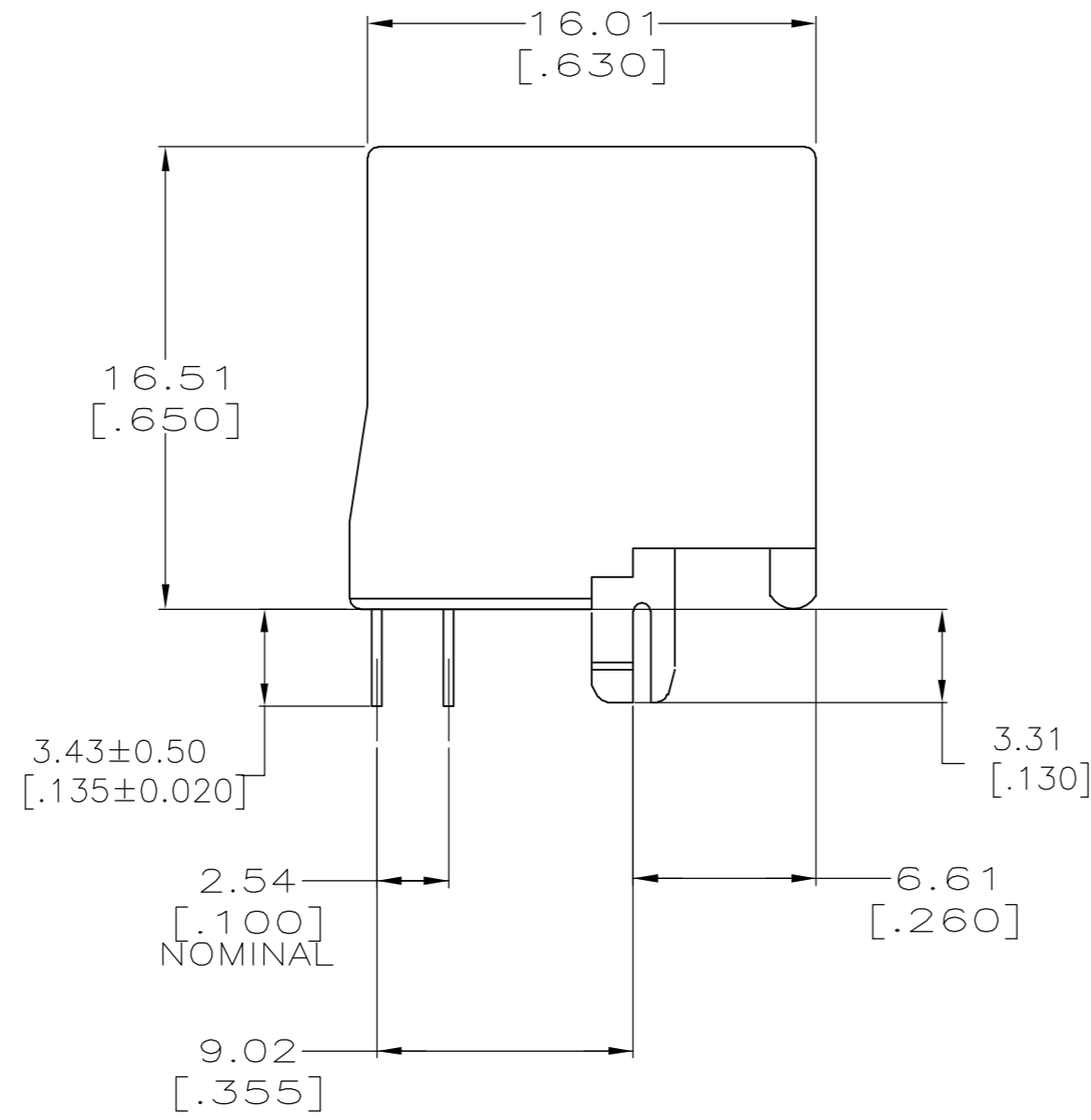
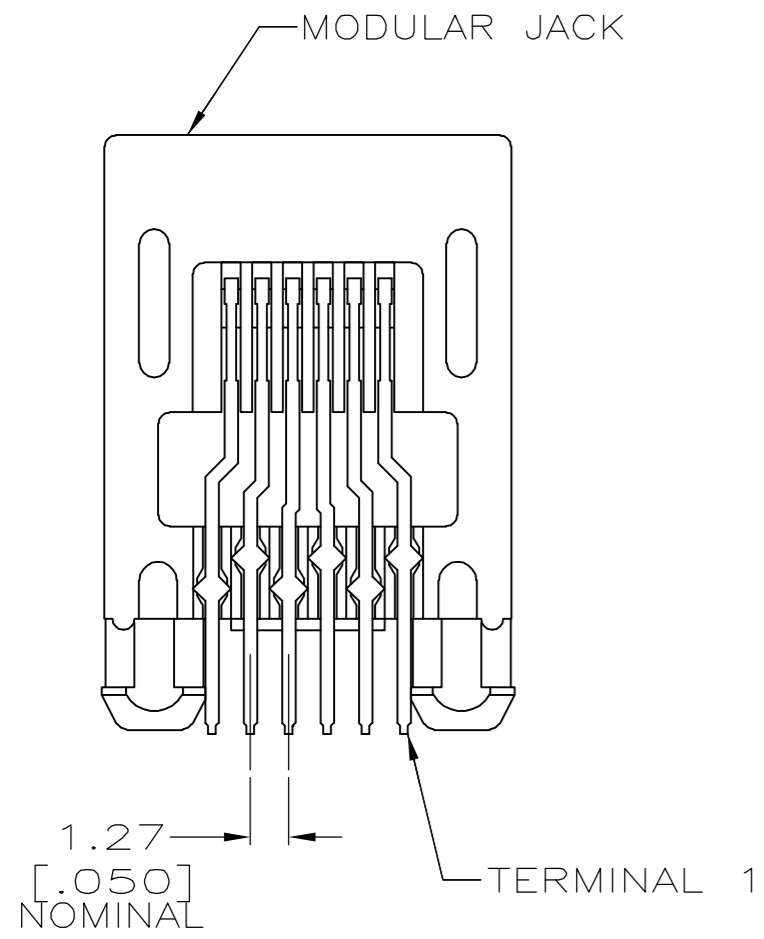
THIS DRAWING IS UNPUBLISHED. RELEASED FOR PUBLICATION  
 © COPYRIGHT BY TYCO ELECTRONICS CORPORATION. ALL RIGHTS RESERVED.

LOC	DIST	REVISIONS					
AA	00	P	LTR	DESCRIPTION	DATE	DWN	APVD
		B		ECO-06-010340	05MAY2006	LAM	JW



1. MATERIAL:  
 HOUSING - PBT POLYESTER BLACK.  
 TERMINAL - PHOS-BRONZE PLATED WITH 1.27μm [.000050] THICK HARD GOLD IN LOCALIZED GOLD PLATE AREA AND 2.03μm [.000080] THICK MATTE TIN IN SOLDER AREA AVER 1.27μm [.000050] THICK NICKEL UNDERPLATE.

- ② CAVITY CONFORMS TO FCC RULES AND REGULATIONS PART 68 AND REA BULLETIN 345-.81 PE-76 SPECIFICATION FOR MODULAR TELEPHONE HARDWARE.
- ③ DIMENSION ARE MAXIMUM UNLESS OTHERWISE SPECIFIED.
- ④ BULK PACKAGED IN A TRAY
- ⑤ 34 ASSEMBLIES PACKAGED IN A TUBE.



⑤	④	④
PACKAGED	TERMINALS	PART NUMBER
6	6	5520425-4
6	4	5520425-3
4	4	5520425-2

THIS DRAWING IS A CONTROLLED DOCUMENT.		DWN R.GRZYBOWSKI 04MAY05	Tyco Electronics Corporation Harrisburg, Pa 17105-3608	
DIMENSIONS: mm		CHK S.FLICKINGER 04MAY05		
TOLERANCES UNLESS OTHERWISE SPECIFIED:		APVD S.FLICKINGER 04MAY05	NAME	
0 PLC ± -		PRODUCT SPEC	MODULAR JACK ASSEMBLY, TOP ENTRY, 6 POSITION, WITHOUT PANEL STOPS	
1 PLC ± -		APPLICATION SPEC	SIZE A2	CAGE CODE 00779
2 PLC ± -		108-1392	DRAWING NO C=5520425	RESTRICTED TO -
3 PLC ± -		114-2048	SCALE 4:1	SHEET 1 OF 1
4 PLC ± -		WEIGHT -	REV B	
ANGLES ± -				
FINISH				
SEE NOTE 1		CUSTOMER DRAWING		

5520425