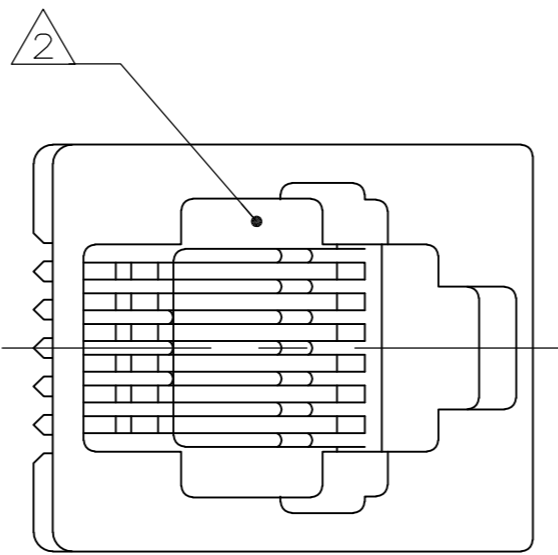


THIS DRAWING IS UNPUBLISHED. RELEASED FOR PUBLICATION
 © COPYRIGHT BY TYCO ELECTRONICS CORPORATION. ALL RIGHTS RESERVED.

| LOC | | DIST | | REVISIONS | | | |
|-----|-----|-------------|---------------|-----------|-----|------|--|
| P | LTR | DESCRIPTION | | DATE | DWN | APVD | |
| AA | 00 | D | ECO-08-006985 | 25JUN2008 | LAM | PR | |

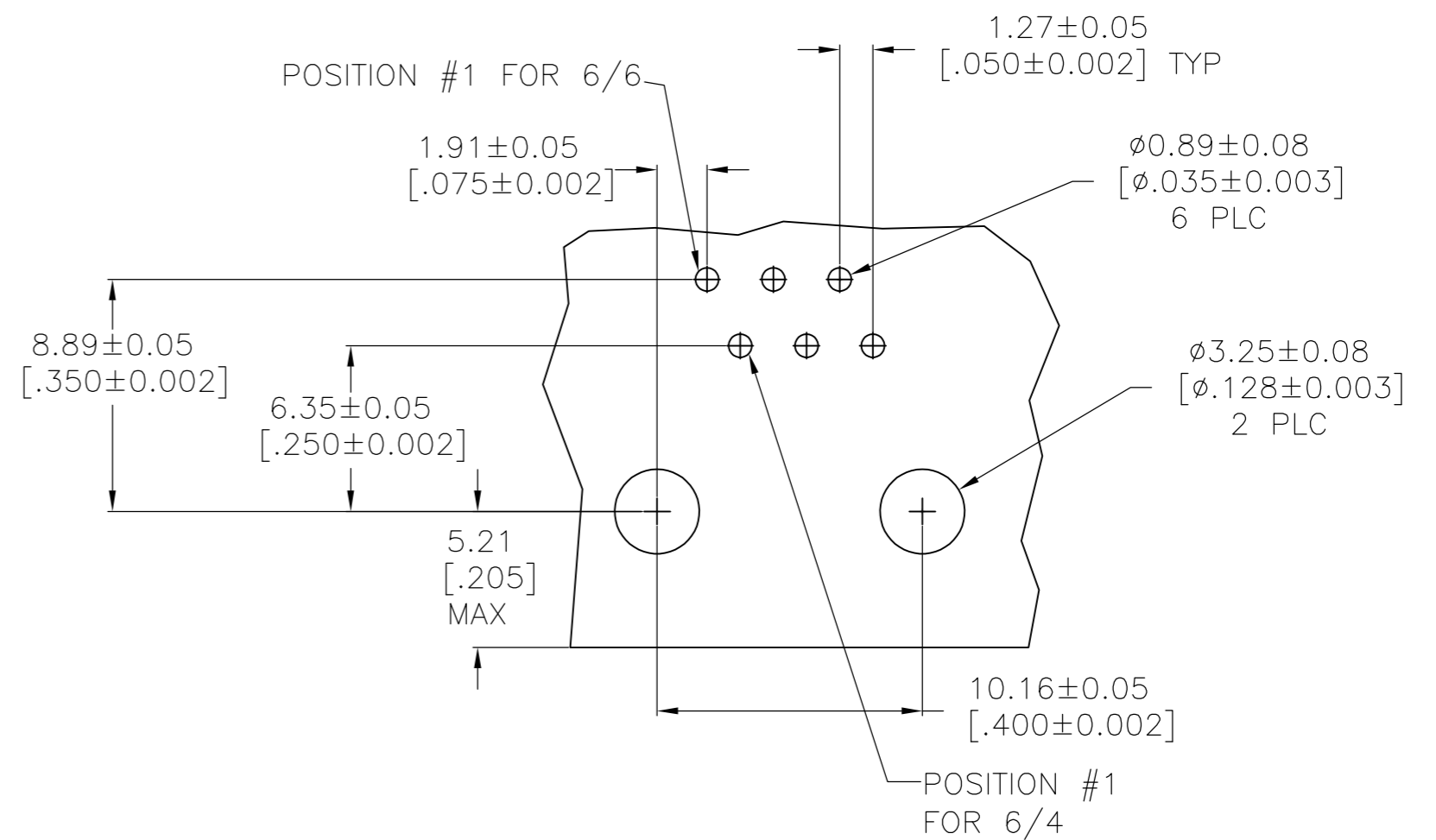
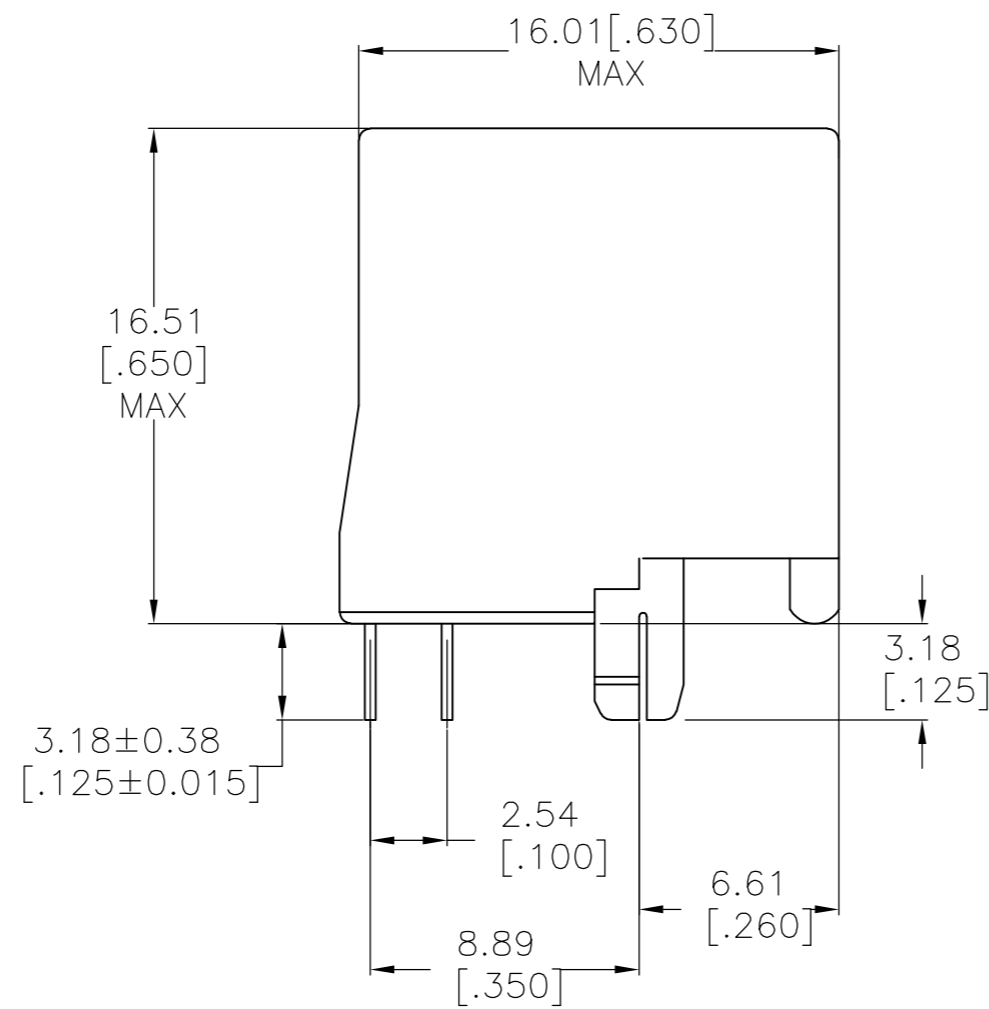
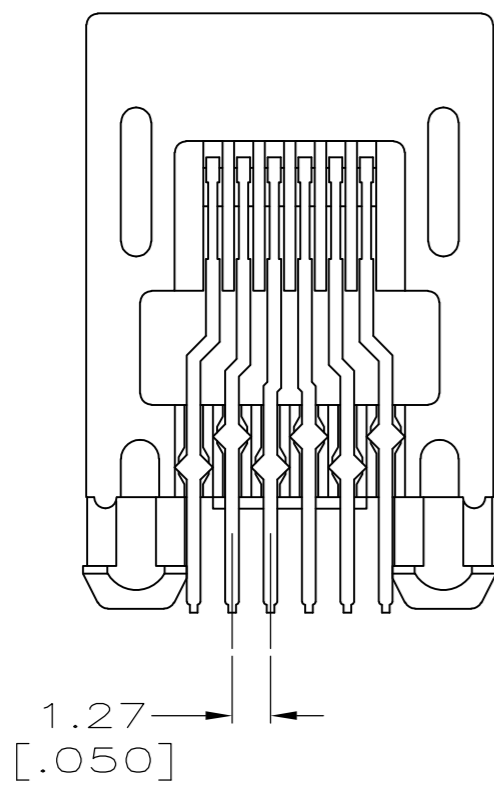


1. MATERIAL:
 HOUSING - PBT POLYESTER, COLOR: BLACK.
 TERMINAL - PHOS BRONZE PLATED WITH 1.27μm [.000050] THICK HARD GOLD IN LOCALIZED GOLD PLATE AREA AND 2.03μm [.000080] THICK MATTE TIN IN SOLDER AREA OVER 1.27μm [.000050] THICK NICKEL UNDERPLATE.

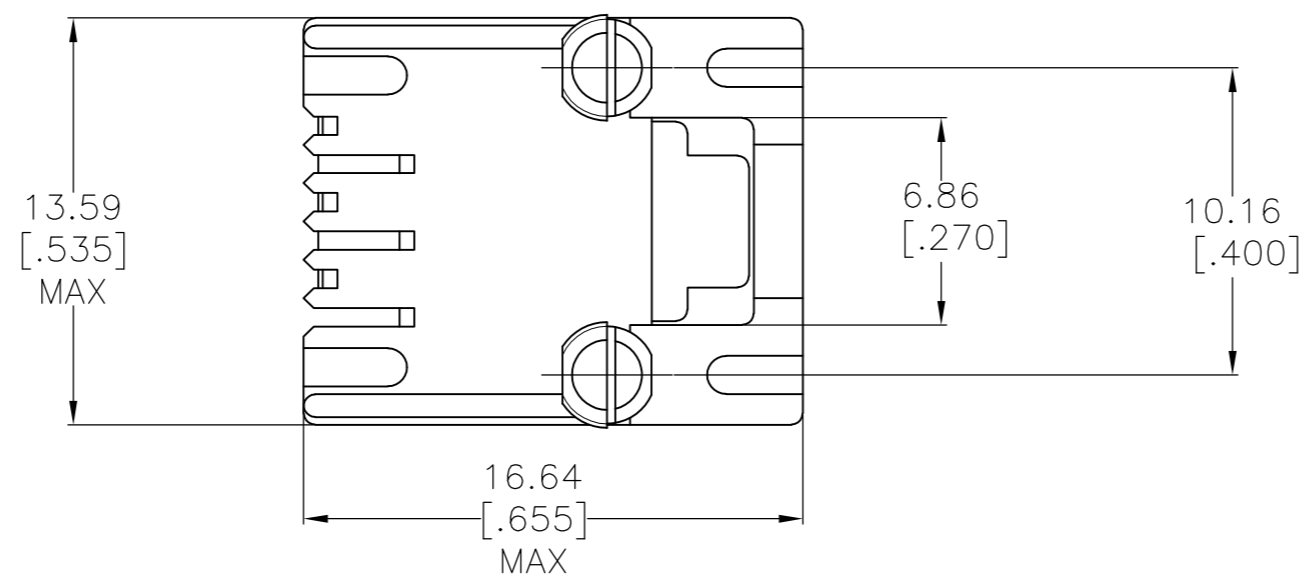
⚠ CAVITY CONFORMS TO FCC RULES AND REGULATIONS PART 68 AND REA BULLETIN 345-.81 PE-76 SPECIFICATION FOR MODULAR TELEPHONE HARDWARE.

⚠ BULK PACKAGED IN A TRAY

⚠ 34 ASSEMBLIES PACKAGED IN A TUBE.



PRINTED CIRCUIT BOARD LAYOUT COMPONENT SIDE



| SUPERSEDED BY | REVISION | QUANTITY | PART NUMBER |
|---------------|----------|----------|-------------|
| -3 | 4 | 6 | 5520425-4 |
| | 3 | 6 | 5520425-3 |
| | 3 | 4 | 5520425-2 |
| | | PACKAGED | TERMINALS |
| | | | PART NUMBER |

| | | | | | |
|--|---------------|--------------|-----------|---|-----------|
| THIS DRAWING IS A CONTROLLED DOCUMENT. | | DWN | 16AUG2007 | Tyco Electronics Corporation | |
| DIMENSIONS: mm [INCHES] | | CHK | 16AUG2007 | Harrisburg, PA 17105-3608 | |
| TOLERANCES UNLESS OTHERWISE SPECIFIED: | | APVD | 16AUG2007 | NAME | |
| 0 PLC | ± - | S.FLICKINGER | | MODULAR JACK ASSEMBLY, TOP ENTRY, 6 POSITION, WITHOUT PANEL STOPS | |
| 1 PLC | ± - | 108-1163 | | SIZE | CAGE CODE |
| 2 PLC | ± 0.13 [.005] | 114-2048 | | A2 | 00779 |
| 3 PLC | ± - | 114-2048 | | DRAWING NO | |
| 4 PLC | ± - | 114-2048 | | RESTRICTED TO | |
| ANGLES | ± - | 114-2048 | | - | |
| MATERIAL | FINISH | WEIGHT | | SCALE | |
| SEE NOTE 1 | SEE NOTE 1 | - | | 4:1 | |
| CUSTOMER DRAWING | | SCALE | | SHEET | |
| CUSTOMER DRAWING | | 4:1 | | 1 OF 1 | |
| CUSTOMER DRAWING | | SCALE | | REV | |
| CUSTOMER DRAWING | | 4:1 | | D | |