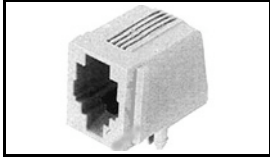


5520426-4 Product Details

[Share](#) [Print](#) [Email](#)



5520426-4

TE Internal Number: 5520426-4

 Active

[View 3D PDF](#)

PCB Mounted Jacks - Single Port, Multi-port and Stacked

 Always EU RoHS/ELV Compliant
(Statement of Compliance)

Product Highlights:

- Connector
- Preloaded
- Single Port Configuration
- 1 x 1 Jack Configuration
- Jack Type = RJ45

[View all Features](#)

Quick Links

- ▶ [Pricing & Availability](#)
- ▶ [Search for Tooling](#)
- ▶ [Product Feature Selector](#)
- ▶ [Contact Us About This Product](#)

[Add to My Part List](#)

[Request Sample](#)

[Find Similar Products](#)

[Buy Product](#)

Documentation & Additional Information

Product Drawings:

- [MODULAR JACK ASSEMBLY, SIDE ENTRY, 8 POSITION, FLAN...](#) (PDF, English)

Catalog Pages/Data Sheets:

- [1-1773464-9_MODULAR JACKS_SINGLE_PORT_PCB_MOUNT](#) (PDF, English)
- [82066 - Modular Jacks and MRJ21 Product catalog - Si...](#) (PDF, English)

Product Specifications:

- [Modular Plugs, Thru-Hole and Surface Mount Jacks, Da...](#) (PDF, English)

Application Specifications:

- [Modular Jacks](#) (PDF, English)

Instruction Sheets:

- None Available

CAD Files: (CAD Format & Compression Information)

- [2D Drawing](#) (DXF, Version A)
- [3D Model](#) (IGES, Version A)
- [3D Model](#) (STEP, Version A)

[List all Documents](#)

Additional Information:

- [Product Line Information](#)

Related Products:

- [Tooling](#)

Product Features (Please use the Product Drawing for all design activity)

Product Type Features:

- Product Type = Connector
- Jack Type = RJ45
- PCB Mounting Orientation = Side Entry (Right Angle)
- PCB Mount Style = Through Hole
- Termination Method to PC Board = Solder
- Performance Category = Cat 3
- LED = Without
- Grounding Options = Without
- Panel Stops = Without
- Keyed = No
- Profile = Standard

Contact Features:

- [Contact Plating, Mating Area, Material](#) = Gold (50)
- Contact Base Material = Phosphor Bronze

Housing Features:

- Housing Material = PBT - GF
- UL Flammability Rating = UL 94V-0

Configuration Features:

- Preloaded = Yes
- Port Configuration = Single
- Jack Configuration = 1 x 1
- Number of Positions = 8

- [Color](#) = Black
- [Latch Style](#) = Standard

Mechanical Attachment:

- [Panel Mount Retention](#) = With
- [Flanged](#) = No

Electrical Characteristics:

- [Shielded](#) = No

Termination Features:

- [Solder Tail Contact Plating](#) = Tin over Nickel

Dimensions:

- [Height \(mm \[in\]\)](#) = 16.20 [0.638]
- [PCB Tail Length \(mm \[in\]\)](#) = 3.80 [0.150]
- [PCB Thickness, Recommended \(mm \[in\]\)](#) = 1.57 [0.062]

Body Features:

- [Inverted Jack Face](#) = No

- [Number of Contacts Loaded](#) = 8

Industry Standards:

- [RoHS/ELV Compliance](#) = RoHS compliant, ELV compliant
- [Lead Free Solder Processes](#) = Wave solder capable to 260°C, Wave solder capable to 240°C, Wave solder capable to 265°C
- [RoHS/ELV Compliance History](#) = Always was RoHS compliant

Packaging Features:

- [Packaging Method](#) = Tray
- [Packaging Quantity](#) = Bulk

Product Availability:

- [Region](#) = Asia, North America

Other:

- [Brand](#) = AMP

Corporate Information

- [About TE](#)
- [Investors](#)
- [News Room](#)
- [Supplier Portal](#)
- [Careers](#)
- [Terms & Conditions](#)
- [Privacy Policy](#)

Quick Links

- [Distributor Inventory](#)
- [Product Cross Reference](#)
- [Documents & Drawings](#)
- [Product Compliance Support Center](#)
- [Site Map](#)

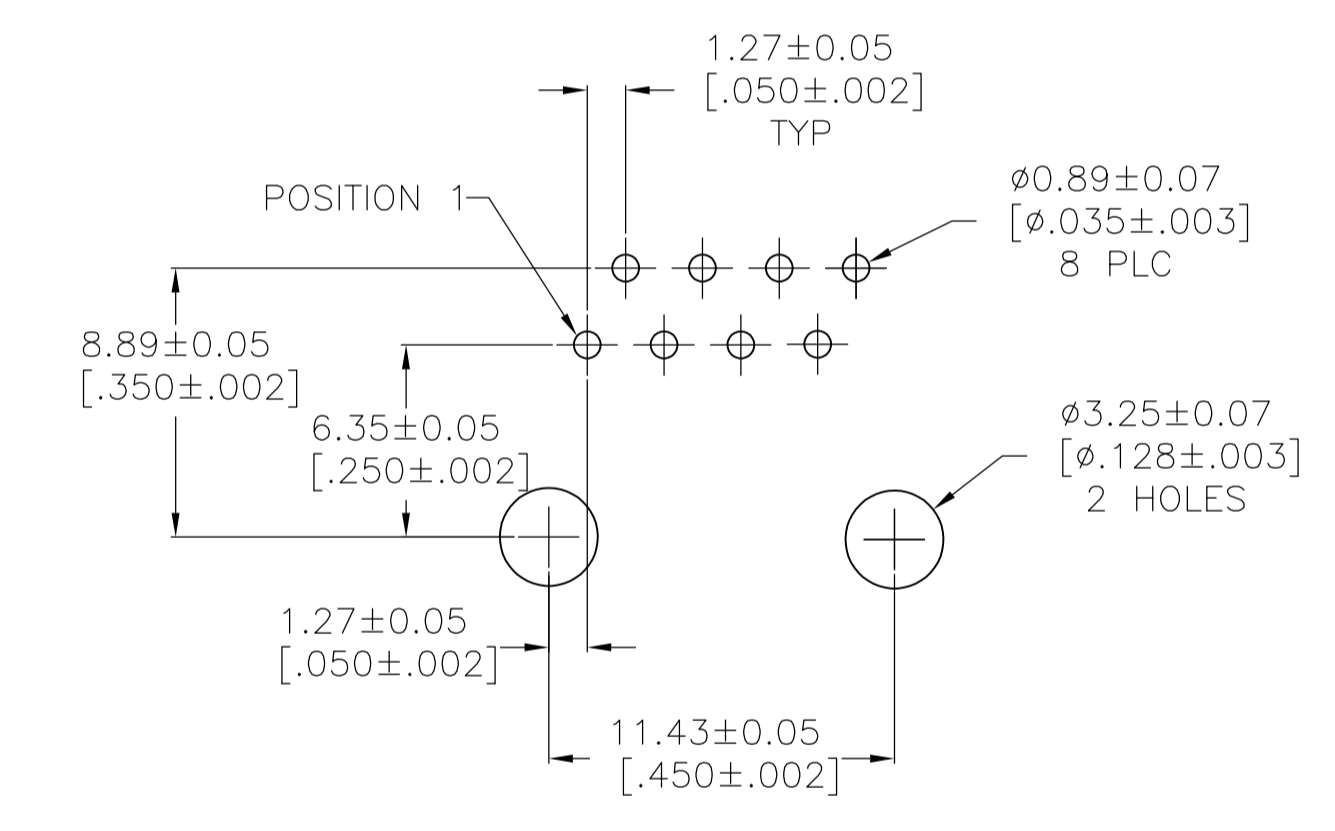
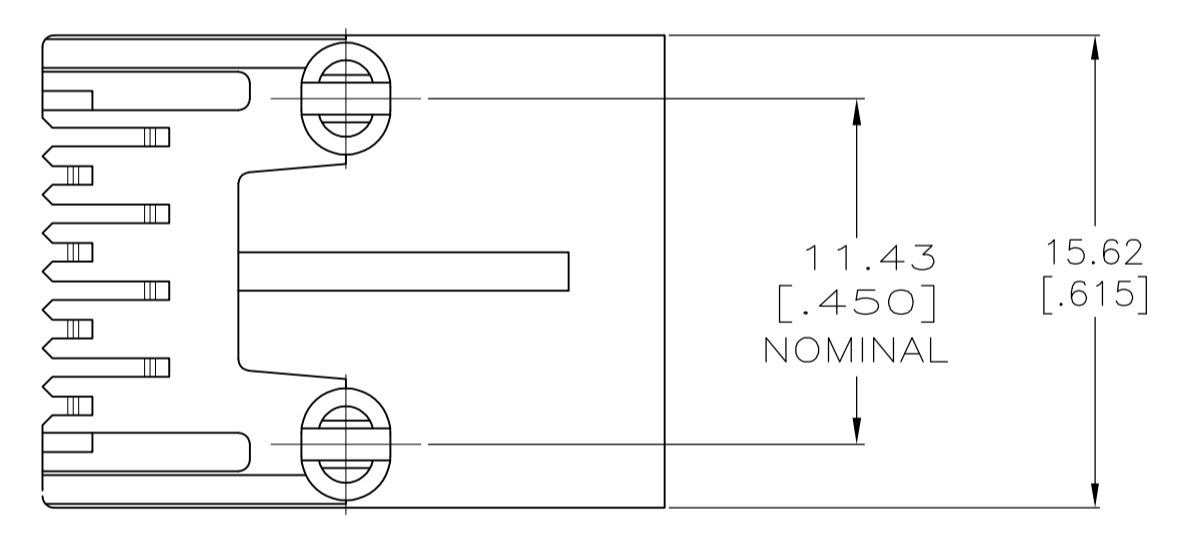
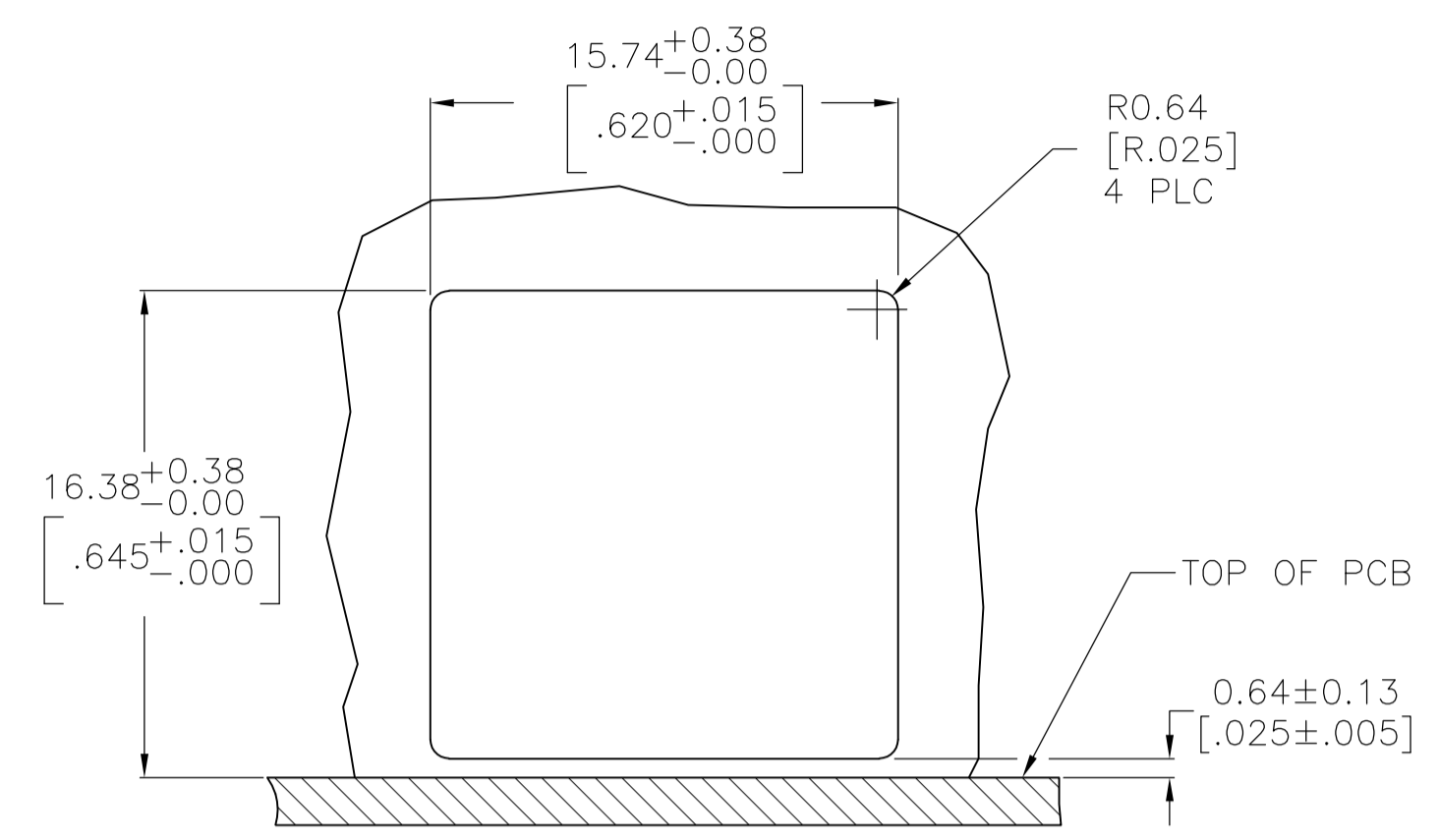
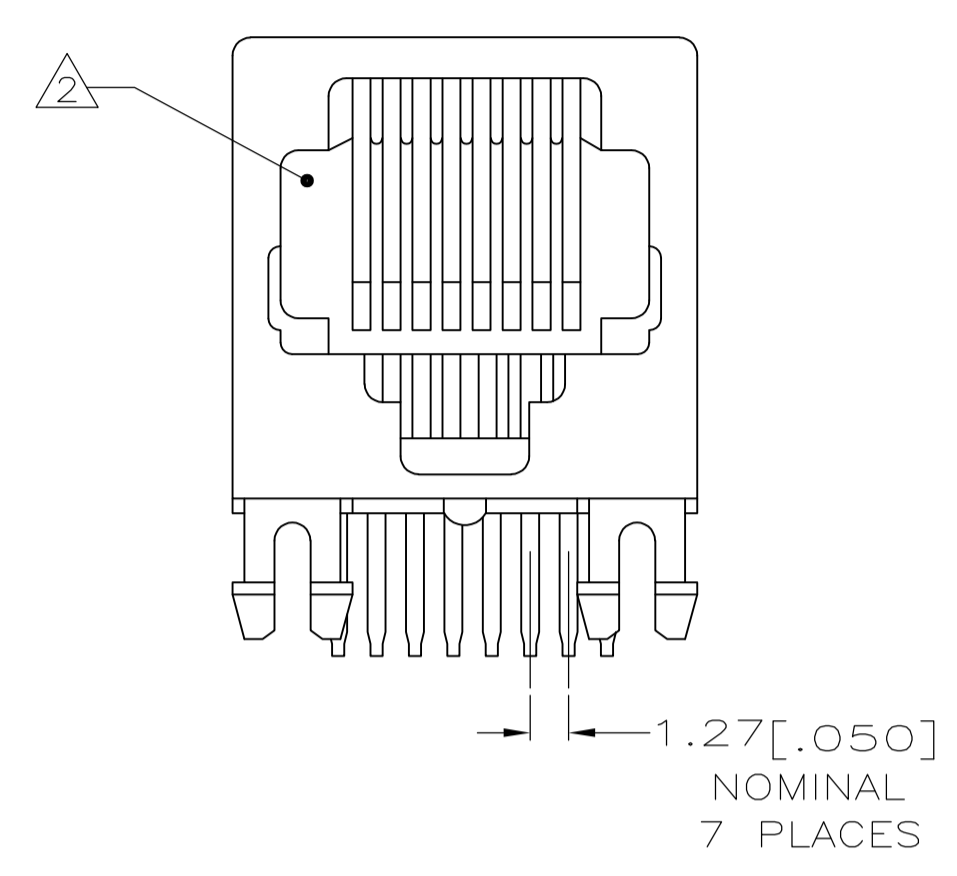
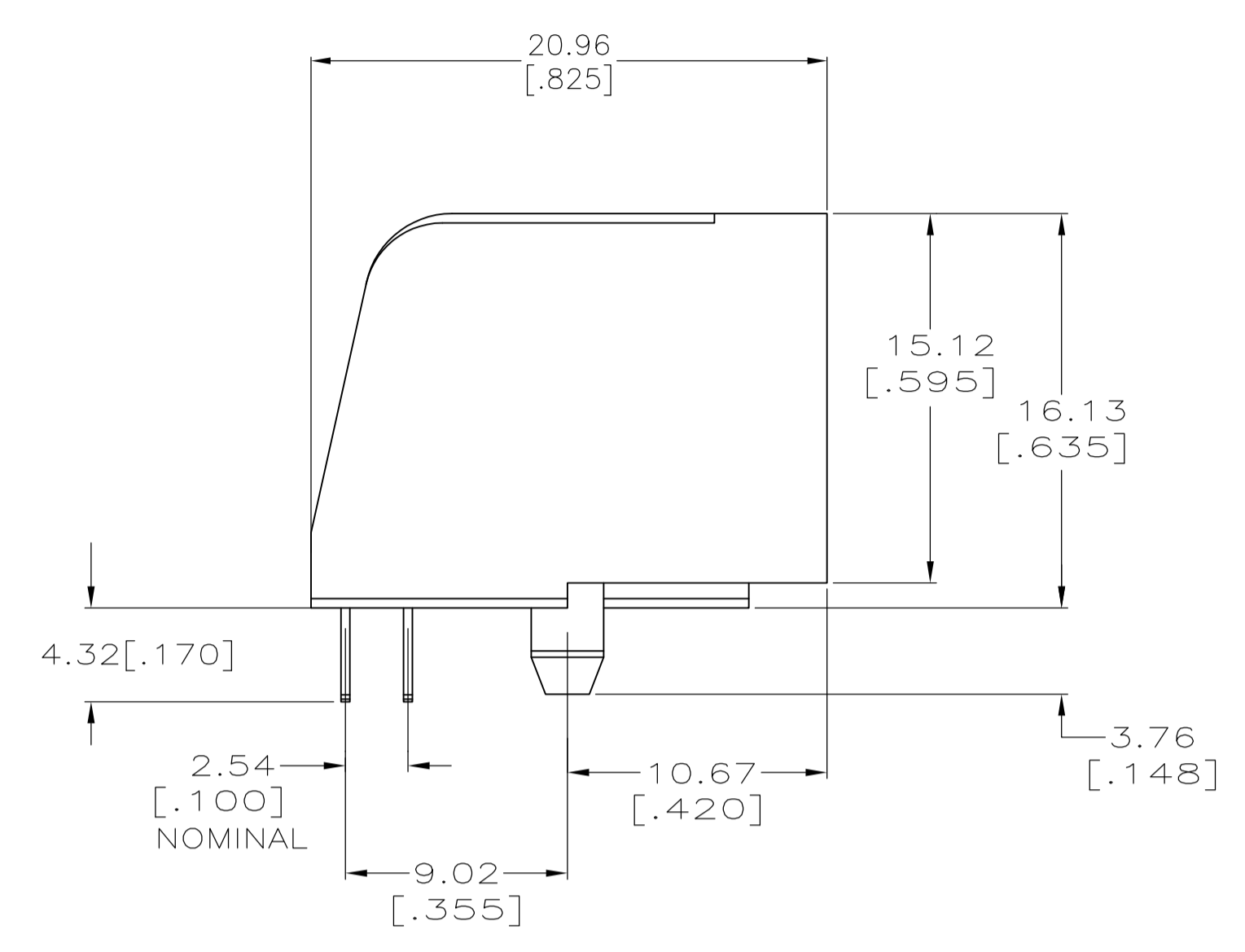
Customer Support

- [Email or Chat With Us](#)
- [Find a Phone Number](#)
- [Knowledge Base](#)
- [Manage Your Account](#)

Keep Me Informed



LOC	DIST	REVISIONS			
P	LTR	DESCRIPTION	DATE	DN	APVD
B1		REVISED PER ECO-11-005140	28MAR11	RK	HMR



RECOMMENDED PRINTED CIRCUIT BOARD LAYOUT COMPONENT SIDE SHOWN

- MATERIAL: HOUSING PBT POLYESTER, COLOR: BLACK. TERMINAL-0.36 [.014] THICK PHOS-BRONZE PLATED WITH 1.27um [.000050] MINIMUM THICK HARD GOLD IN LOCALIZED GOLD PLATE AREA AND 3.81um [.000150] MINIMUM THICK MATTE TIN IN SOLDER AREA OVER 1.27um [.000050] MINIMUM THICK NICKEL UNDERPLATE.
- CAVITY CONFORMS TO FCC RULES AND REGULATIONS PART 68 AND REA BULLETIN 345-81, PE-76 SPECIFICATION FOR MODULAR TELEPHONE HARDWARE.
- ALL DIMENSIONS SHOWN ARE MAXIMUM UNLESS OTHERWISE SPECIFIED.
- BULK PACKAGED IN TRAY

PACKAGED	8	5520426-4
CONTACTS		PART NUMBER

THIS DRAWING IS A CONTROLLED DOCUMENT.		DIN G. ATTADIA - 06/JUN/2005		STE TE Connectivity	
DIMENSIONS: mm [INCHES]		CHK J. WESTMAN 06/JUN/2005		NAME	
TOLERANCES UNLESS OTHERWISE SPECIFIED:		APVD S. FLICKINGER 06/JUN/2005		MODULAR JACK ASSEMBLY, SIDE ENTRY, 8 POSITION, FLANGELESS, WITHOUT PANEL STOPS	
0 PLC ± -		PRODUCT SPEC		108-1163	
1 PLC ± -		APPLICATION SPEC		114-2048	
2 PLC ± 0.13[.005]		SIZE		A1	
3 PLC ± -		CAGE CODE		00779	
4 PLC ± -		DRAWING NO		5520426	
ANGLES ± -		RESTRICTED TO		-	
MATERIAL SEE NOTE 1		FINISH SEE NOTE 1		WEIGHT -	
		CUSTOMER DRAWING		SCALE 4:1 SHEET 1 OF 1 REV B1	