

Distributed by:

**JAMECO**<sup>®</sup>  
ELECTRONICS

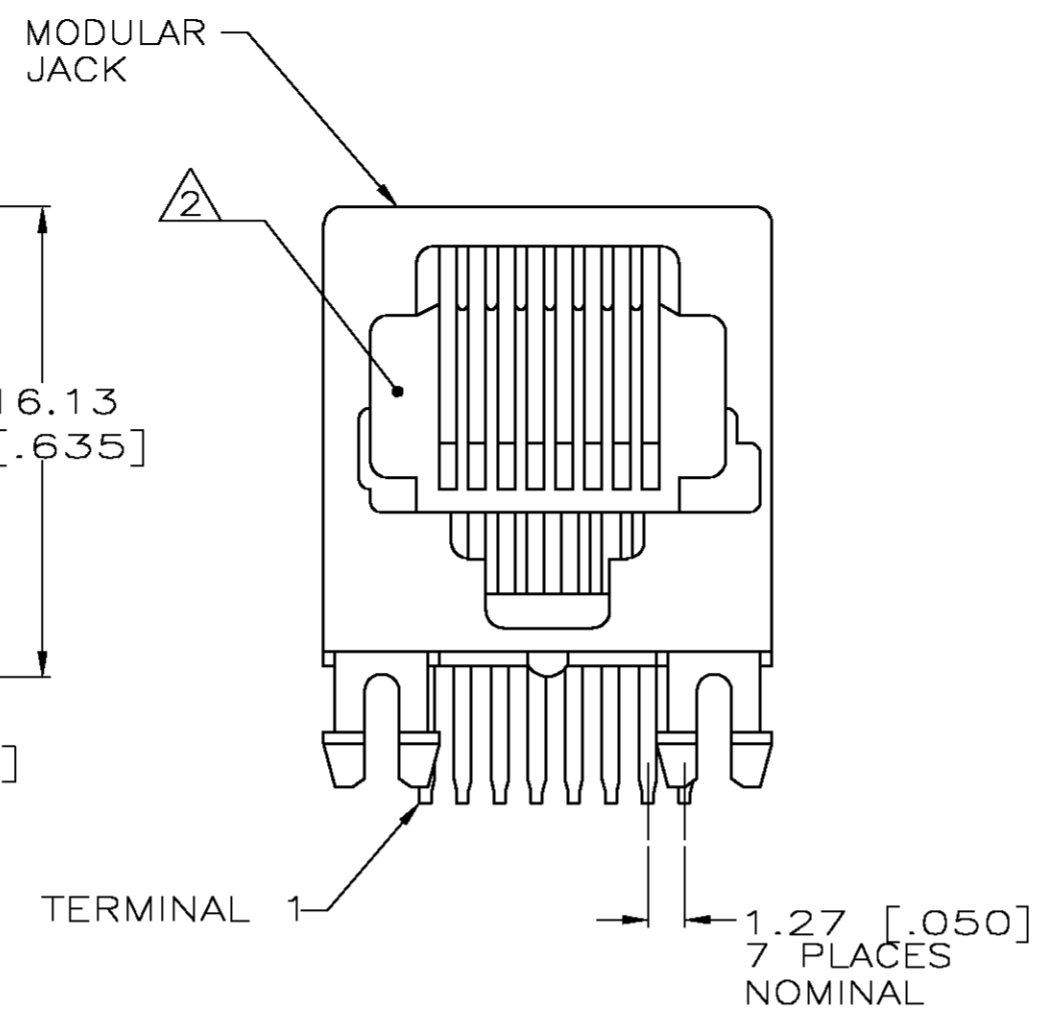
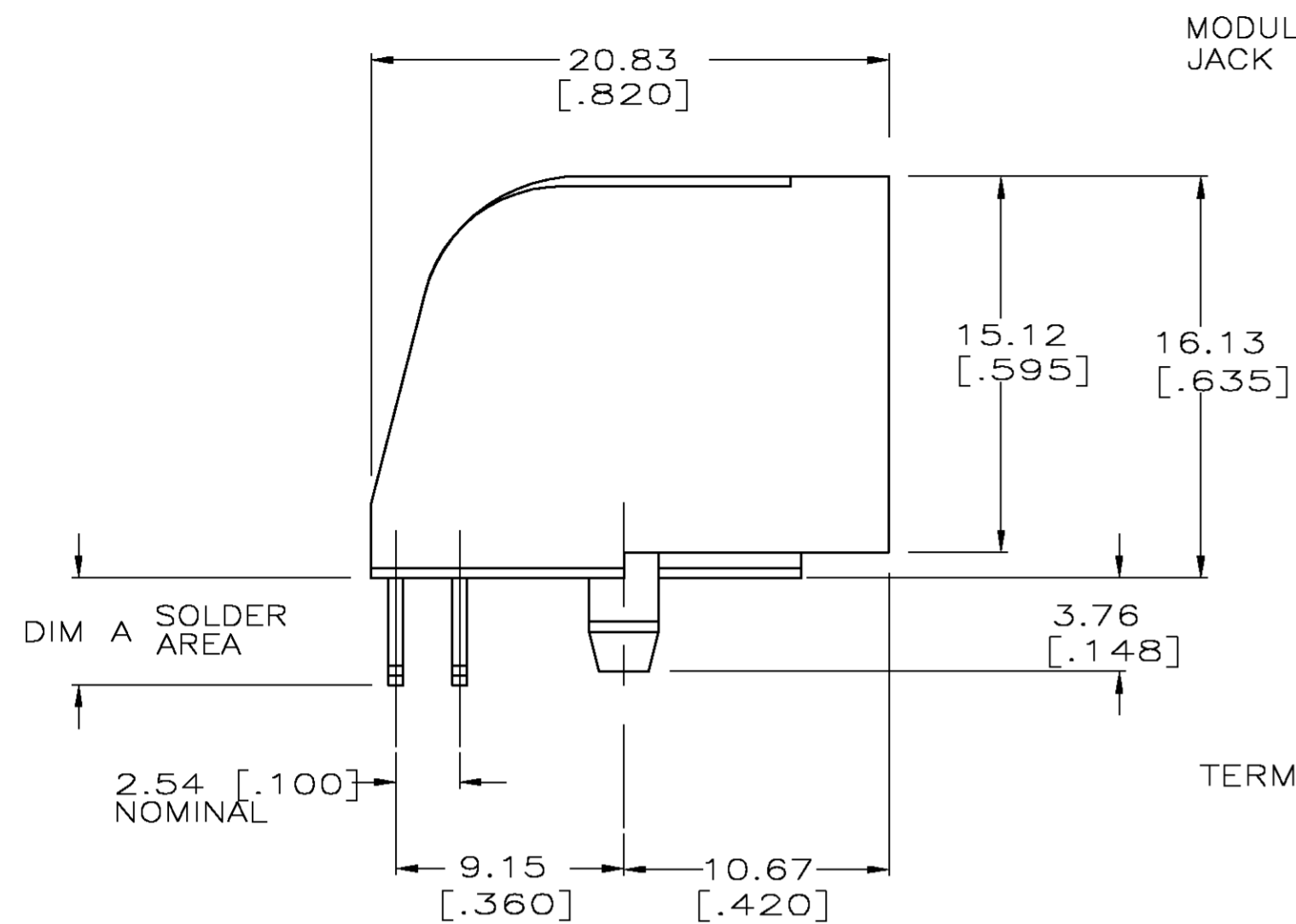
**www.Jameco.com ♦ 1-800-831-4242**

The content and copyrights of the attached  
material are the property of its owner.

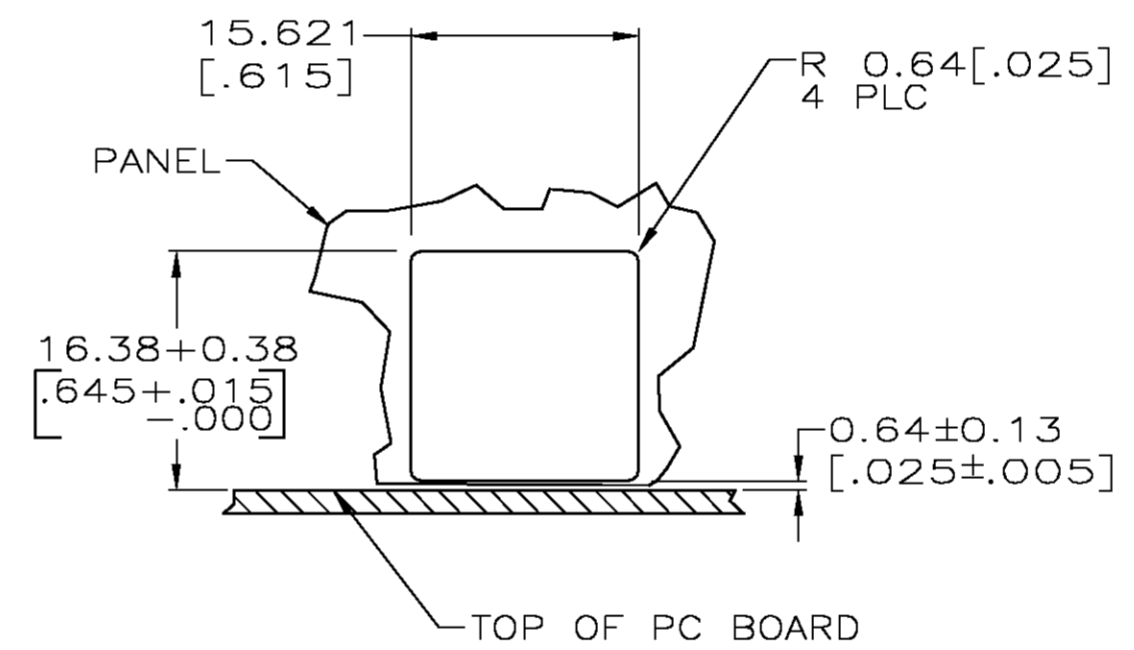
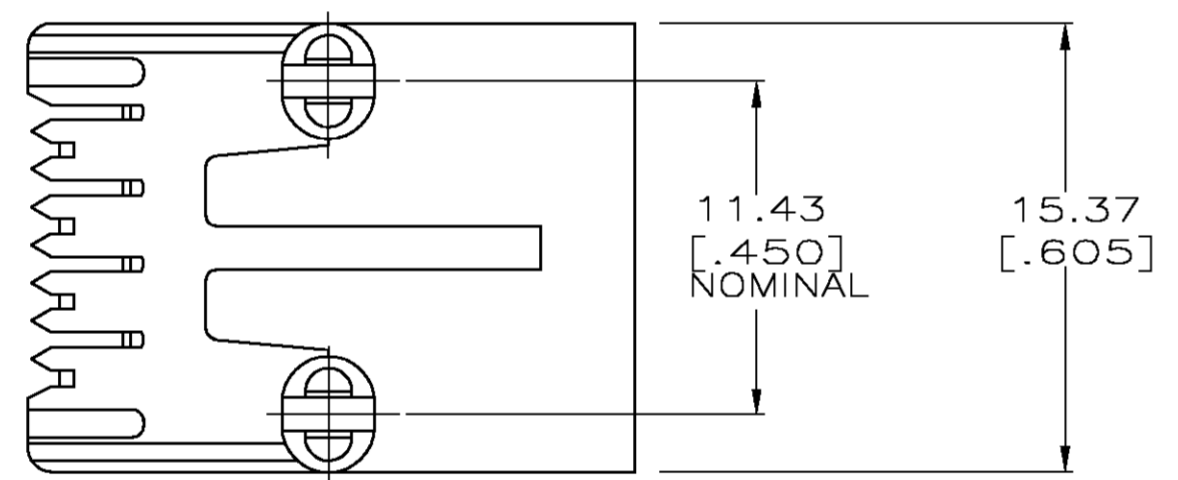
Jameco Part Number 754558

THIS DRAWING IS UNPUBLISHED. RELEASED FOR PUBLICATION  
 © COPYRIGHT BY TYCO ELECTRONICS CORPORATION. ALL RIGHTS RESERVED.

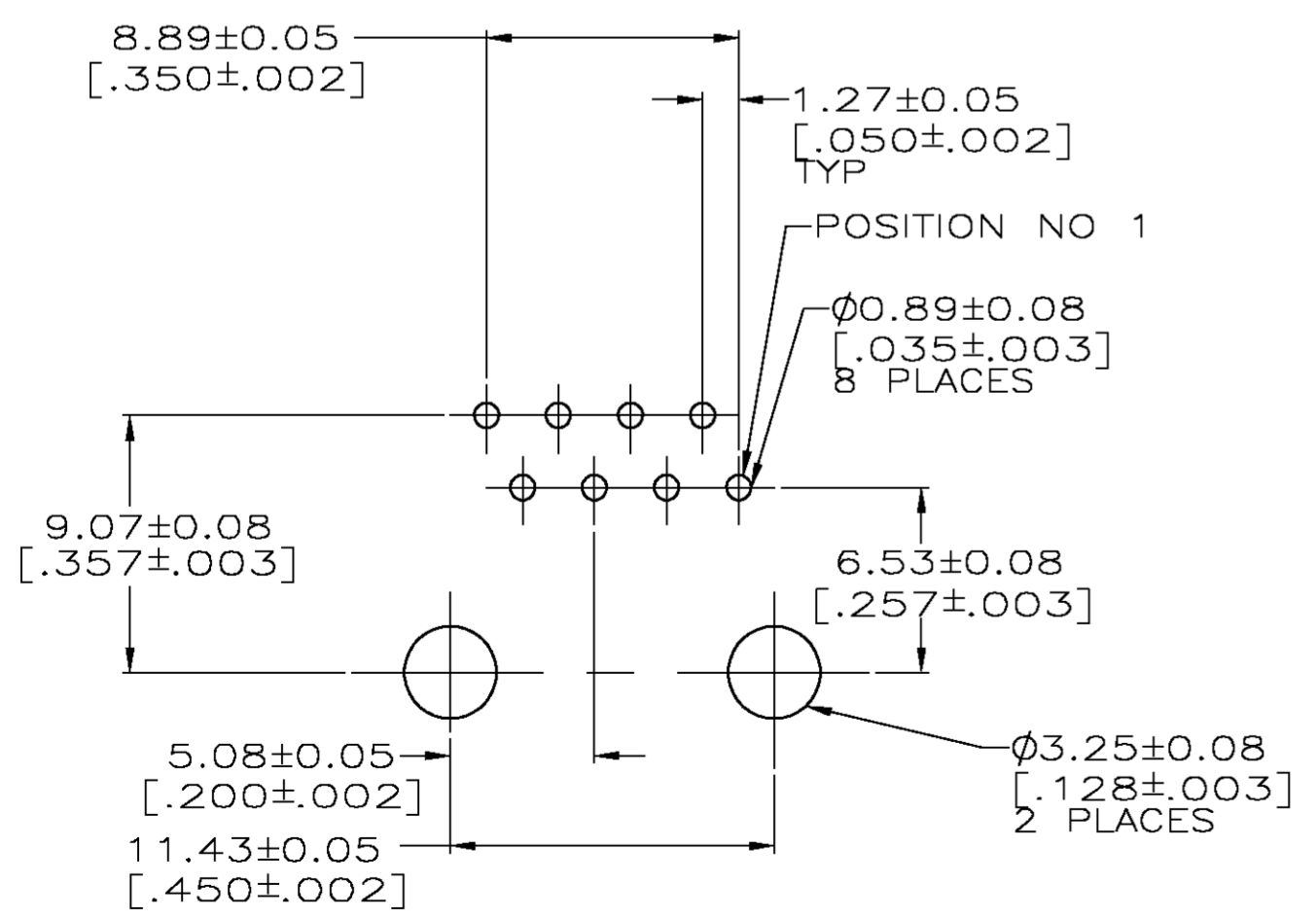
LOC	DIST	REVISIONS					
AA	22	P	LTR	DESCRIPTION	DATE	DWN	APVD
		A		ECOS11-0201-04	20APR05	LAM	SF



- 1 MATERIAL: HOUSING - PBT POLYESTER.  
 TERMINAL - 0.35[.0138] THICK PHOS-BRONZE PLATED WITH 1.27μm[.000050] THICK HARD GOLD IN LOCALIZED GOLD PLATE AREA AND 3.81μm [.000150] THICK MATTE TIN IN SOLDER AREA OVER 1.27μm[.000050] THICK NICKEL UNDERPLATE.
- 2 CAVITY CONFORMS TO FCC RULES AND REGULATIONS PART 68, SUBPART F.
- 3. ALL DIMENSIONS SHOWN ARE MAXIMUM UNLESS OTHERWISE SPECIFIED.
- 4 BULK PACKAGED IN A TRAY.



SUGGESTED PANEL CUTOUT  
 SCALE 2:1



SUGGESTED PRINTED CIRCUIT BOARD LAYOUT  
 CIRCUIT SIDE

4.32[.170]	BLACK	4	8	5520426-4
DIM A	HSG COLOR	PACKAGED	CONTACTS	PART NUMBER

THIS DRAWING IS A CONTROLLED DOCUMENT.		DWN L. MUSTAR/L.A.MAYER 20APR05	Tyco Electronics Corporation Harrisburg, Pa 17105-3608	
DIMENSIONS: mm		CHK J.WESTMAN 20APR05	APVD S.FLICKINGER 20APR05	
TOLERANCES UNLESS OTHERWISE SPECIFIED:		NAME PRODUCT SPEC 108-1163		
0 PLC ± -		APPLICATION SPEC 114-2048		
1 PLC ± -		SIZE A2		
2 PLC ± -		CAGE CODE 00779		
3 PLC ± -		DRAWING NO C=5520426		
4 PLC ± -		RESTRICTED TO		
ANGLES ± -		SCALE 4:1		
MATERIAL SEE NOTE 1		SHEET 1 OF 1		
FINISH SEE NOTE 1		REV A		
CUSTOMER DRAWING		SCALE 4:1 SHEET 1 OF 1 REV A		