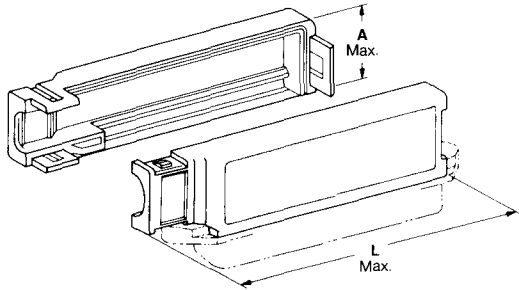


CHAMP IDC Connectors Cable-to-Cable Accessories

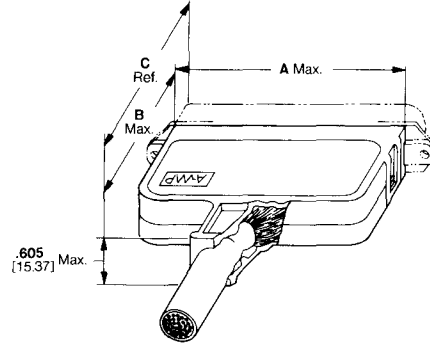
90° Snap-On Strain Relief Cover



| No. of Pos. | Dimensions | | Cable Range Diameter* | Part Numbers |
|-------------|------------|--------|-----------------------|--------------|
| | A | L | | |
| 14 | .684 | 1.863 | .185-.230 | 552412-1 |
| | 17.37 | 47.32 | 4.70-5.84 | |
| 24 | .684 | 2.288 | .250-.300 | 1-552412-1 |
| | 17.37 | 58.12 | 6.35-7.62 | |
| 36 | .684 | 2.798 | .305-.360 | 552413-1 |
| | 17.37 | 71.07 | 7.75-9.14 | 1-552413-1 |
| 50 | .684 | 3.388 | .305-.360 | 552414-1 |
| | 17.37 | 86.06 | 7.75-9.14 | |
| 64 | .684 | 3.388 | .330-.380 | 3-552414-1 |
| | 17.37 | 86.06 | 8.38-9.65 | |
| 14 | .922 | 3.388 | .340-.400 | 552014-1 |
| | 23.42 | 86.06 | 8.64-10.16 | |
| 24 | 1.127 | 3.590 | .315-.415 | 1-552011-1 |
| | 28.63 | 91.19 | 8.00-10.54 | |
| 36 | 1.127 | 3.590 | .415-.465 | 552011-1 |
| | 28.63 | 91.19 | 10.54-11.81 | |
| 50 | 1.127 | 3.590 | .475-.540 | 552731-1 |
| | 28.63 | 91.19 | 12.07-13.72 | |
| 64 | 1.127 | 4.183 | .410-.475 | 552496-1 |
| | 28.63 | 106.25 | 10.41-12.07 | |
| 14 | 1.127 | 4.183 | .475-.540 | 1-552496-1 |
| | 28.63 | 106.25 | 12.07-13.72 | |
| 24 | 1.127 | 4.183 | .540-.605 | 2-552496-1 |
| | 28.63 | 106.25 | 13.72-15.37 | |

*Strain relief cover cable diameter range is a guideline. The appropriate strain relief cover depends on cable stiffness, cable packing and fillers.

180° Snap-On Strain Relief Cover

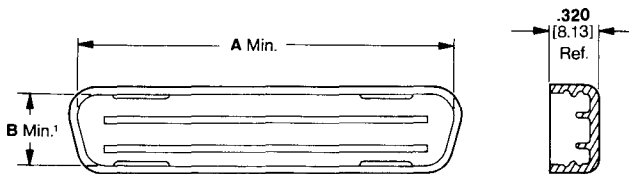


| No. of Pos. | Dimensions | | | Cable Range Diameter* | Part Numbers |
|-------------|------------|-------|-------|-----------------------|--------------|
| | A | B | C | | |
| 14 | .994 | 1.455 | 1.824 | .175-.220 | 552079-1 |
| | 25.25 | 36.96 | 46.33 | 4.45-5.59 | |
| 24 | .994 | 1.455 | 1.824 | .220-.265 | 1-552079-1 |
| | 25.25 | 36.96 | 46.33 | 5.59-6.73 | |
| 36 | 1.419 | 1.455 | 1.824 | .265-.310 | 2-552079-1 |
| | 36.04 | 36.96 | 46.33 | 6.73-7.87 | |
| 50 | 1.419 | 1.455 | 1.824 | .230-.280 | 552076-1 |
| | 36.04 | 36.96 | 46.33 | 5.84-7.11 | |
| 64 | 1.419 | 1.455 | 1.824 | .280-.320 | 1-552076-1 |
| | 36.04 | 36.96 | 46.33 | 7.11-8.13 | |
| 14 | 1.934 | 1.455 | 1.824 | .320-.380 | 2-552076-1 |
| | 49.12 | 36.96 | 46.33 | 8.13-9.65 | |
| 24 | 1.934 | 1.455 | 1.824 | .290-.360 | 552073-1 |
| | 49.12 | 36.96 | 46.33 | 7.37-9.14 | |
| 36 | 1.934 | 1.455 | 1.824 | .360-.430 | 552073-5 |
| | 49.12 | 36.96 | 46.33 | 9.14-10.92 | |
| 50 | 1.934 | 1.455 | 1.824 | .430-.500 | 552073-6 |
| | 49.12 | 36.96 | 46.33 | 10.92-12.70 | |
| 64 | 1.934 | 1.455 | 1.824 | .330-.380 | 3-552008-1 |
| | 49.12 | 36.96 | 46.33 | 8.38-9.65 | |
| 14 | 2.520 | 1.555 | 1.924 | .380-.430 | 2-552008-1 |
| | 64.01 | 39.50 | 48.87 | 9.65-10.92 | |
| 24 | 2.520 | 1.555 | 1.924 | .430-.490 | 552008-1 |
| | 64.01 | 39.50 | 48.87 | 10.92-12.45 | |
| 36 | 2.520 | 1.555 | 1.924 | .480-.550 | 4-552008-1 |
| | 64.01 | 39.50 | 48.87 | 12.19-13.97 | |
| 50 | 2.520 | 1.555 | 1.924 | .430-.500 | — |
| | 64.01 | 39.50 | 48.87 | 10.92-12.70 | |
| 64 | 2.520 | 1.555 | 1.924 | .480-.540 | 552082-1 |
| | 64.01 | 39.50 | 48.87 | 12.19-13.72 | |
| 14 | 3.119 | 1.655 | 2.024 | .540-.610 | 569025-1 |
| | 79.22 | 42.04 | 51.41 | 13.72-15.49 | |

CHAMP .085 Centerline Miniature Ribbon Connector Systems



Dust Cover



1B Dimension—.610 [15.49] Plug and .478 [12.14] Receptacles

| No. of Pos. | Plug Cover (Blue) | | Receptacle Cover (Red) | |
|-------------|-------------------|----------|------------------------|----------|
| | A | Part No. | A | Part No. |
| 24 | 1.575 | 229968-4 | 1.421 | 229969-4 |
| | 40.01 | | 36.09 | |
| 36 | 2.085 | — | 1.931 | 229969-3 |
| | 52.96 | | 49.05 | |
| 50 | 2.700 | 229968-1 | 2.526 | 229969-1 |
| | 68.58 | | 64.16 | |
| 64 | 3.275 | 229968-2 | 3.121 | 229969-2 |
| | 83.19 | | 79.27 | |