



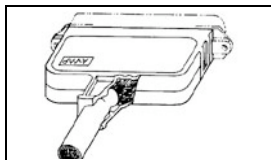
Have a Question?
Chat with a Product
Information Specialist

What can we help you find?

[Products](#) [Industries](#) [Resources](#) [About TE](#) [My Account](#) [Innovation](#) [Support Center](#)

552076-1 Product Details

[Share](#) [Print](#) [Email](#)



552076-1

TE Internal Number: 552076-1

Active

2.16 [.085] Accessories and Hardware

Always EU RoHS/ELV Compliant (Statement of Compliance)

Product Highlights:

- Accessory Type = Cover
- Cover Type = Strain Relief
- Snap-On Cover/Strain Relief Retention Method
- 180° Cable Exit Angle
- 24 Positions

[View all Features](#)

Quick Links

- ▶ [Pricing & Availability](#)
- ▶ [Search for Tooling](#)
- ▶ [Product Feature Selector](#)
- ▶ [Contact Us About This Product](#)

[Add to My Part List](#) [Request Sample](#) [Find Similar Products](#) [Buy Product](#)

Documentation & Additional Information	
<p>Product Drawings:</p> <ul style="list-style-type: none"> • COVER KIT, 180 DEGREES, 24 POSITION, CHAMP (PDF, English) <p>Catalog Pages/Data Sheets:</p> <ul style="list-style-type: none"> • None Available <p>Product Specifications:</p> <ul style="list-style-type: none"> • None Available <p>Application Specifications:</p> <ul style="list-style-type: none"> • None Available <p>Instruction Sheets:</p> <ul style="list-style-type: none"> • CHAMP Cable-to-Cable and Cable-to-Panel Connectors (PDF, English) <p>CAD Files:</p> <ul style="list-style-type: none"> • None Available 	<p>Additional Information:</p> <ul style="list-style-type: none"> • Product Line Information <p>Related Products:</p> <ul style="list-style-type: none"> • Tooling

[List all Documents](#)

Product Features (Please use the Product Drawing for all design activity)	
<p>Product Type Features:</p> <ul style="list-style-type: none"> • Accessory Type = Cover • Cover Type = Strain Relief • Color = Black <p>Mechanical Attachment:</p> <ul style="list-style-type: none"> • Cover/Strain Relief Retention Method = Snap-On <p>Dimensions:</p> <ul style="list-style-type: none"> • Cable Outer Diameter (mm [in]) = 5.84 - 7.11 [0.230 - 0.280] <p>Body Features:</p> <ul style="list-style-type: none"> • Cable Exit Angle = 180° <p>Configuration Features:</p> <ul style="list-style-type: none"> • Number of Positions = 24 	<p>Industry Standards:</p> <ul style="list-style-type: none"> • RoHS/ELV Compliance = RoHS compliant, ELV compliant • Lead Free Solder Processes = Not relevant for lead free process • RoHS/ELV Compliance History = Always was RoHS compliant <p>Operation/Application:</p> <ul style="list-style-type: none"> • Application Use = Cable-to-Cable <p>Packaging Features:</p> <ul style="list-style-type: none"> • Packaging Quantity = 100 Kits • Packaging Method = Bulk <p>Other:</p> <ul style="list-style-type: none"> • Brand = AMP • Comment = Strain relief cover cable diameter range is a guideline. The appropriate strain relief cover depends on cable stiffness, cable packing and fillers.

Corporate Information

- [About TE](#)
- [Investors](#)
- [News Room](#)
- [Supplier Portal](#)
- [Careers](#)
- [Terms & Conditions](#)
- [Privacy Policy](#)

Quick Links

- [Distributor Inventory](#)
- [Product Cross Reference](#)
- [Documents & Drawings](#)
- [Product Compliance Support Center](#)
- [Site Map](#)

Customer Support

- [Email or Chat With Us](#)
- [Find a Phone Number](#)
- [Knowledge Base](#)
- [Manage Your Account](#)

Keep Me Informed

DRAWING MADE IN THIRD ANGLE PROJECTION

3

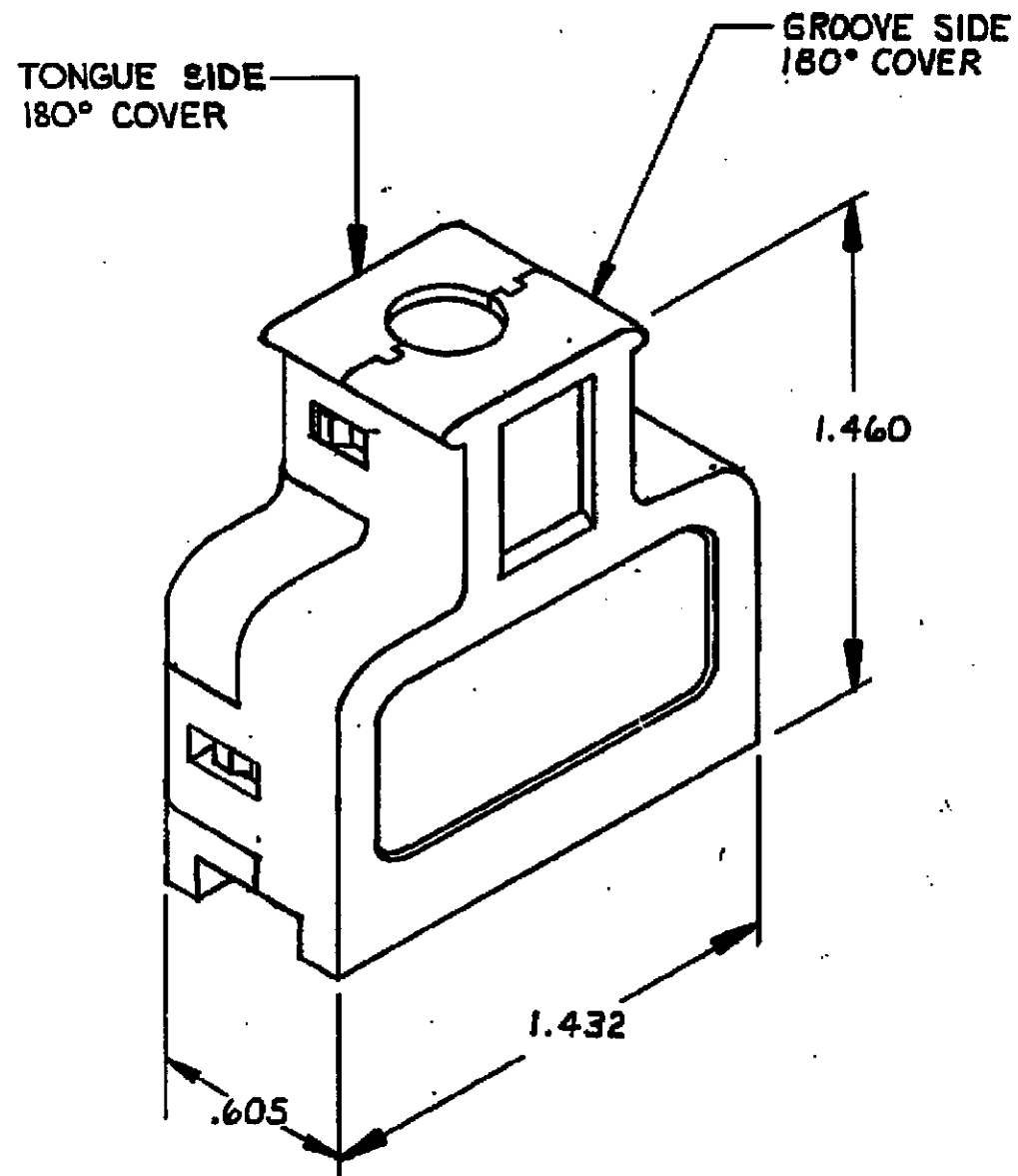
2

1 LOC AA DISP 20

THIS DRAWING IS UNPUBLISHED, RELEASED FOR PUBLICATION

COPYRIGHT

REVISIONS						
P	F	ZONE	LTR	DESCRIPTION	DATE	APPROVEC
			L1	REVISED PER ECO-11-005294	11APR11	HMR



1. ALL DIMENSIONS SHOWN ARE MAXIMUM UNLESS OTHERWISE SPECIFIED.
2. THIS KIT SHIPPED NOT ASSEMBLED.
3. PACKAGED ONE KIT PER POLY BAG.
4. 100 KITS BULK PACKED.

PACKAGED	CABLE RANGE DIAMETER	COLOR	GROOVE SIDE PART NO.	TONGUE SIDE PART NO.	KIT PART NO.
4	.320 - .380	BLACK	2- ↑ -1	2- ↑ -1	2- ↑ -1
	.280 - .320		1-552075-1	1-552074-1	1-552076-1
	.230 - .280		552075-1	552074-1	552076-1

UNLESS OTHERWISE SPECIFIED DIMENSIONS ARE IN INCHES. TOLERANCES ON: DECIMALS ± ANGLES ±		CONTRACT NO		TE Connectivity	
MATERIAL POLYPHENYLENE		DR Phil Collins 5-9-83 CHK Stephen Dow 5-26-83			
FINISH		OTHER APPD		NAME COVER KIT, 180°, 24 POSITION, CHAMP®	
				SIZE B	FSCM NO 00779
				DRAWING NO 552076	
				SCALE 2:1	
				SHEET 1 OF 1	

CUSTOMER DRAWING