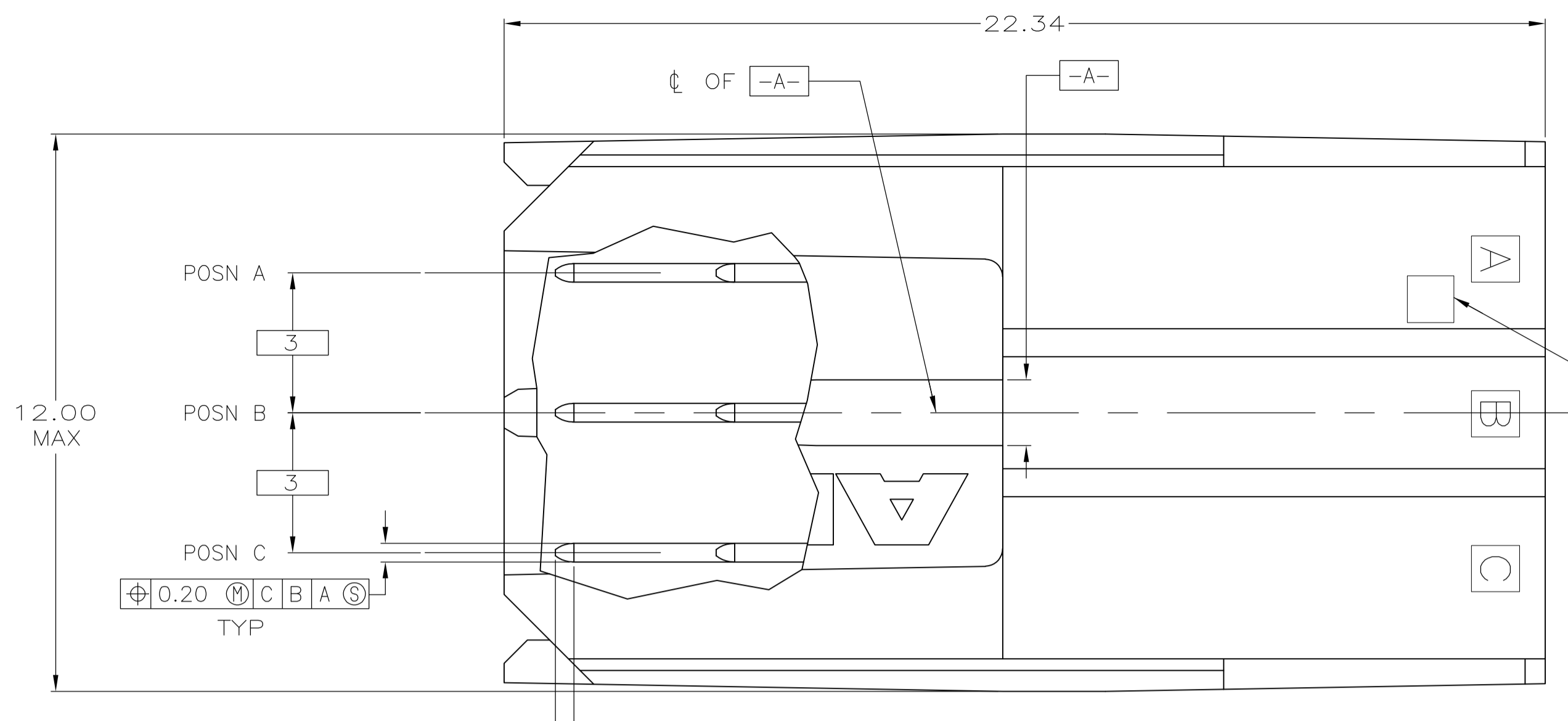
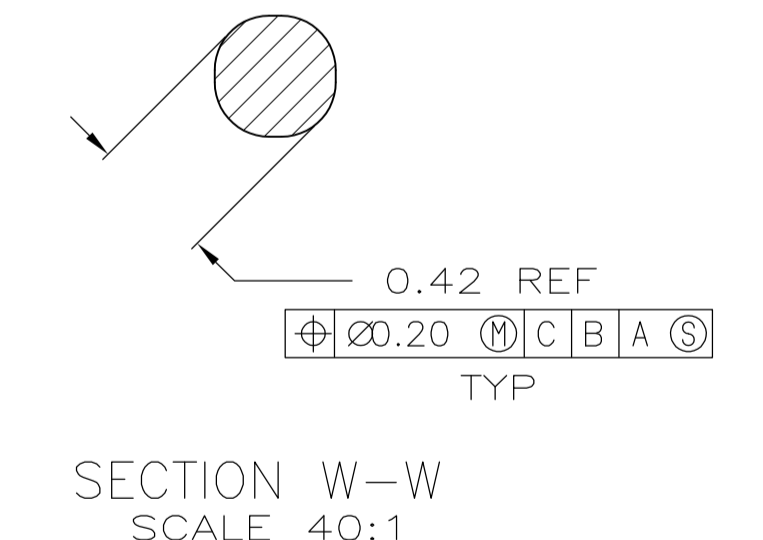
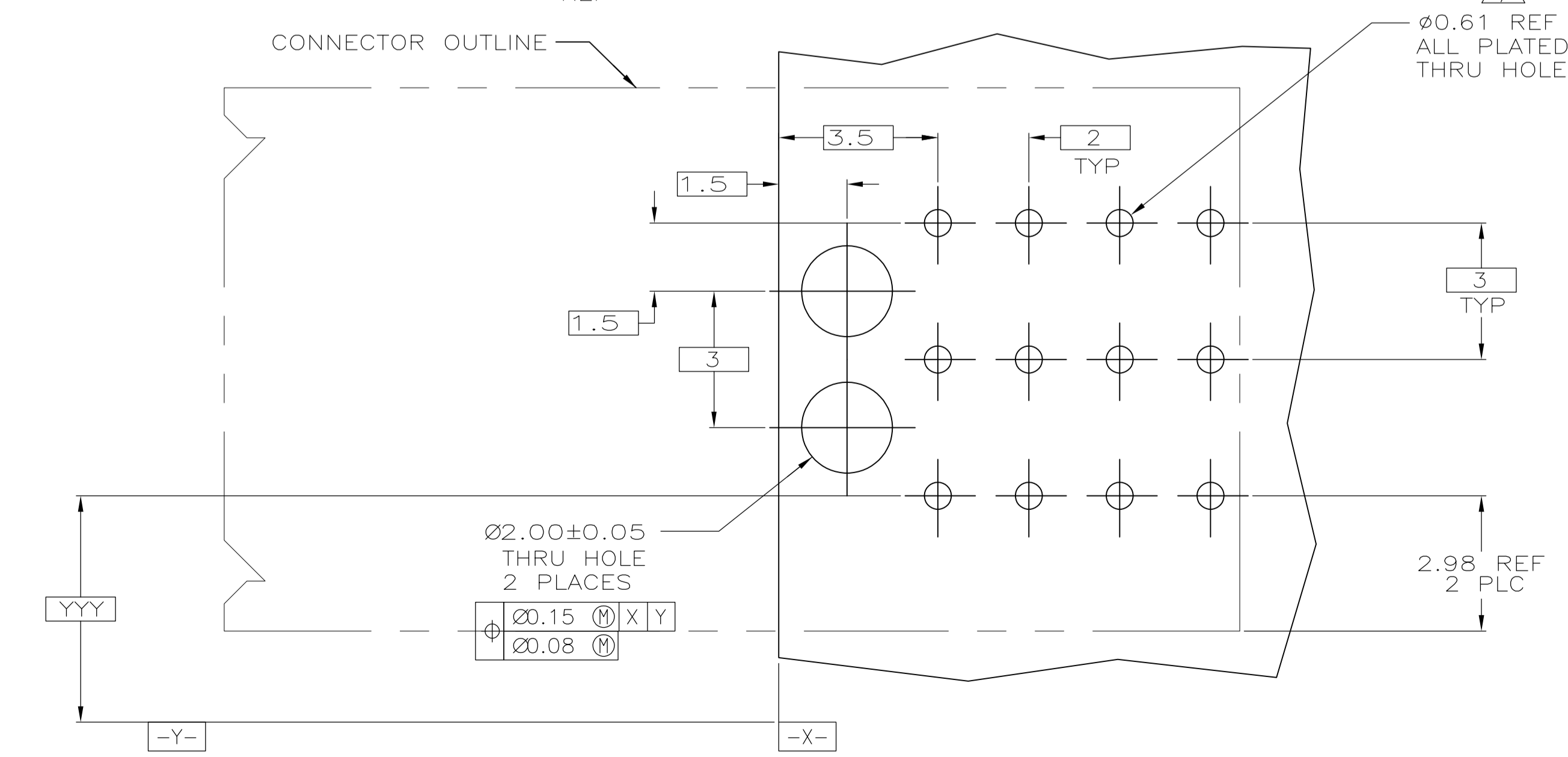
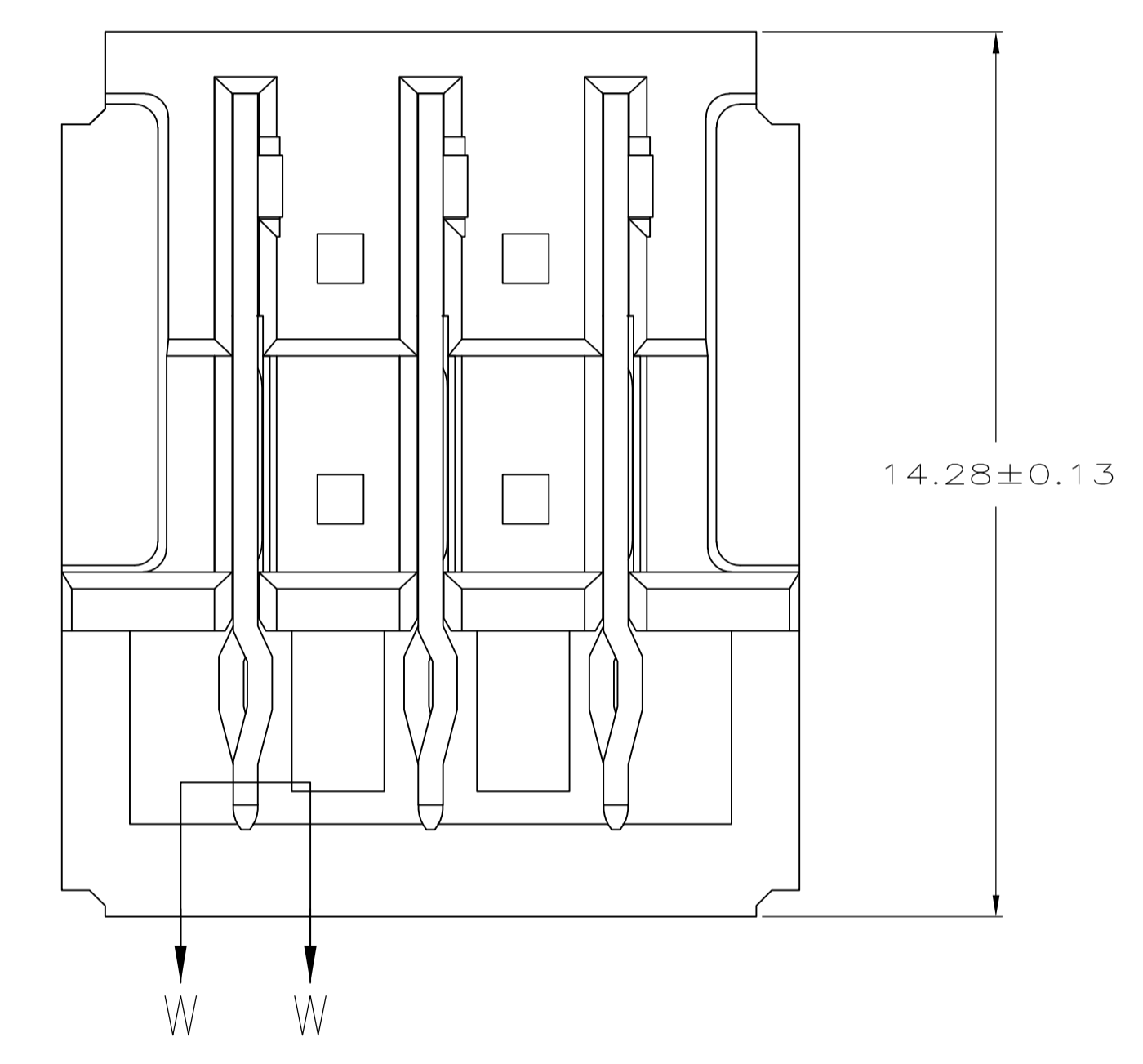
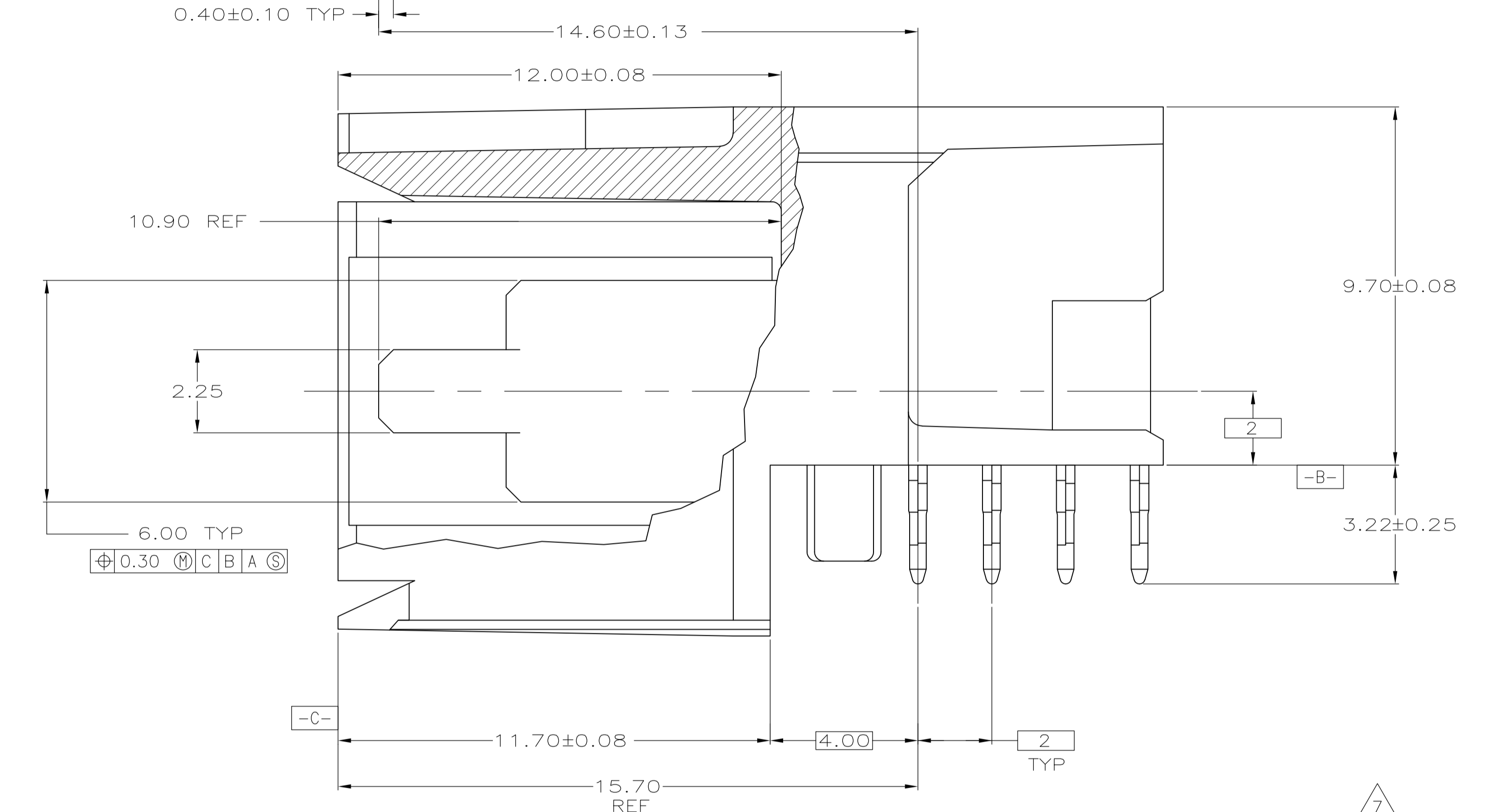
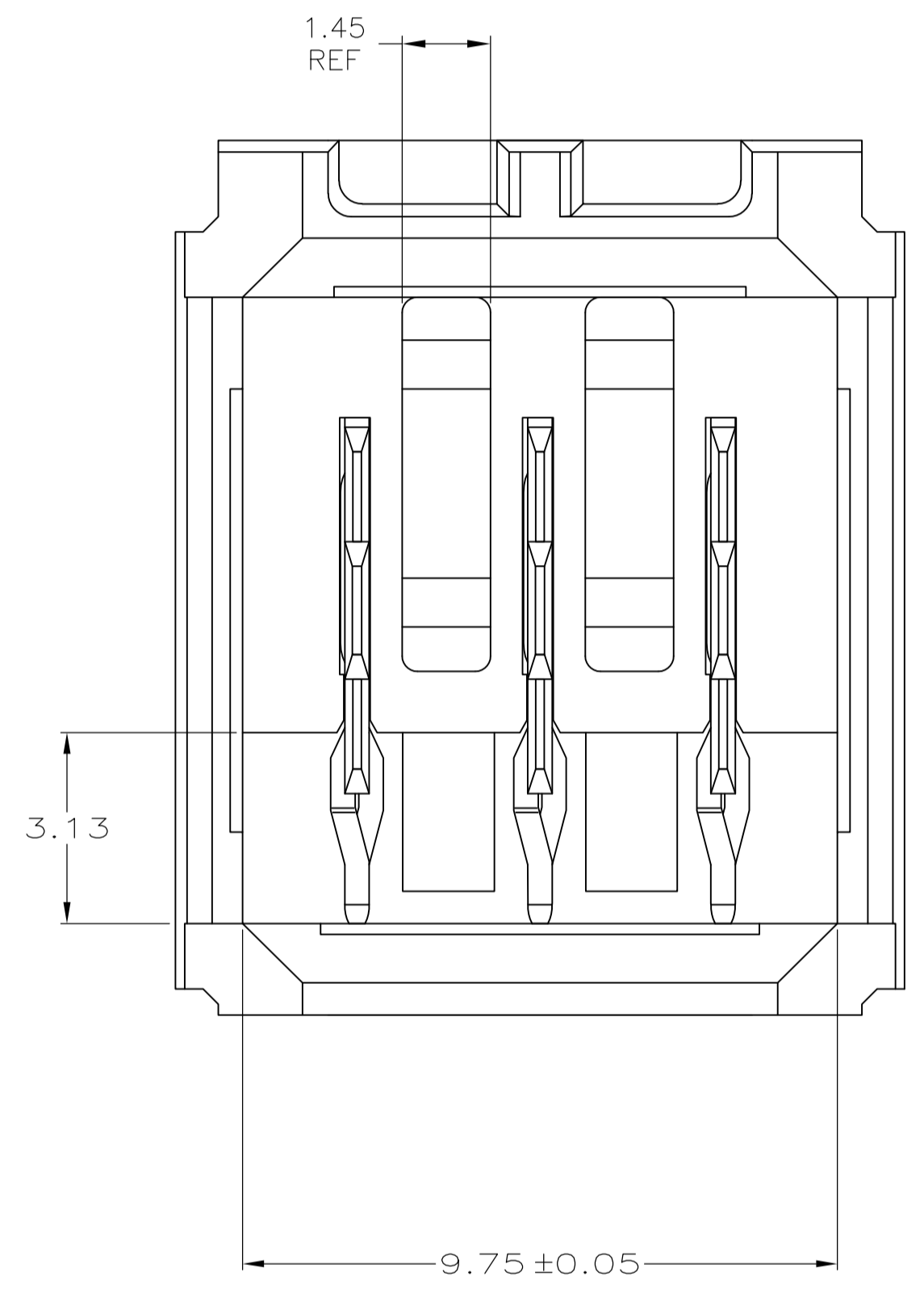


| LOC | | DIST | | REVISIONS | | | |
|-----|----|---------------------------|---------|-----------|-----|------|--|
| AD | 00 | REV | DATE | BY | CHK | APPV | |
| C | | REVISED PER ECO-11-015883 | 10OCT11 | KH | DY | | |



- 1 MATERIAL: HOUSING: POLYESTER. COLOR: GRAY. 94V-0
CONTACT: PHOSPHOR BRONZE.
- 2 FINISH: CONTACT MATING AREA: 1.27µm MIN GOLD OR 0.08µm MIN GOLD OVER
0.76µm MIN PALLADIUM-NICKEL
ACTION PIN AREA: 0.5µm MIN TIN PLATE,
ALL OVER 1.27µm MIN NICKEL UNDERPLATE.
- 3 FINISH: CONTACT LUBRICATION WITH BELLCORE APPROVED LUBRICANT,
TECHNICAL REFERENCE: TR-NWT-001217, ISSUE 1, SEPTEMBER 1992.
- 4 MATERIAL: HOUSING: LCP; COLOR: RED. 94V-0
CONTACT: PHOSPHOR BRONZE.
- 5 NUMBER "3" MARKED IN THIS AREA.
- 6 MATERIAL: HOUSING: POLYESTER. COLOR: GRAY. 94V-0
CONTACT: HIGH CURRENT COPPER ALLOY.
- 7 REFERENCE APPLICATION SPEC 114-1103 FOR
RECOMMENDED PLATED THRU HOLE DIAMETER AND
PLATING THICKNESS.
- 8 CURRENT RATING 10A/CONTACT FOR PHOS BRONZE CONTACTS
AND 16A/CONTACT FOR HIGH CURRENT COPPER ALLOY CONTACTS
PER PRODUCT SPEC 108-1651.



| | |
|-----------------|-------------|
| 2 3 6 | 5-5223961-1 |
| 1 2 3 5 | 5223961-8 |
| 1 2 3 | 5223961-1 |
| MATERIAL/FINISH | PART NUMBER |

THIS DRAWING IS A CONTROLLED DOCUMENT.

| | | | |
|--------------------|----------------------------------------|---------------------|---------------------|
| DIMENSIONS: mm | TOLERANCES UNLESS OTHERWISE SPECIFIED: | DIN B CARDO 10DEC04 | 10DEC04 |
| 0 PLC ± - | 1 PLC ± - | CHK R PATTERSON | 10DEC04 |
| 2 PLC ± 0.13 | 3 PLC ± - | APPV R PATTERSON | 10DEC04 |
| 4 PLC ± - | ANGLES ± - | NAME | |
| MATERIAL SEE TABLE | FINISH SEE TABLE | SIZE A1 | CAGE CODE 00779 |
| | | WEIGHT | DRAWING NO. 5223961 |
| | | CUSTOMER DRAWING | RESTRICTED TO |

SCALE 10:1 SHEET 1 OF 1 REV C

RECOMMENDED PCB HOLE LAYOUT