



**Have a Question?**  
 Chat with a Product Information Specialist

What can we help you find?

[Products](#) [Industries](#) [Resources](#) [About TE](#) [My Account](#) [Innovation](#) [Support Center](#)

## 552496-1 Product Details

[Share](#) [Print](#) [Email](#)



**552496-1**

TE Internal Number: 552496-1

Active

[View 3D PDF](#)

### 2.16 [.085] Accessories and Hardware

Always EU RoHS/ELV Compliant (Statement of Compliance)

**Product Highlights:**

- Accessory Type = Cover
- Cover Type = Strain Relief
- Snap-On Cover/Strain Relief Retention Method
- 90° Cable Exit Angle
- 64 Positions

[View all Features](#)

### Quick Links

- ▶ [Pricing & Availability](#)
- ▶ [Search for Tooling](#)
- ▶ [Product Feature Selector](#)
- ▶ [Contact Us About This Product](#)

[Add to My Part List](#) [Request Sample](#) [Find Similar Products](#) [Buy Product](#)

Documentation & Additional Information	
<p><b>Product Drawings:</b></p> <ul style="list-style-type: none"> <li>• <a href="#">COVER KIT, 90 DEGREE, 64 POSITION, CHAMP (PDF, English)</a></li> </ul> <p><b>Catalog Pages/Data Sheets:</b></p> <ul style="list-style-type: none"> <li>• None Available</li> </ul> <p><b>Product Specifications:</b></p> <ul style="list-style-type: none"> <li>• None Available</li> </ul> <p><b>Application Specifications:</b></p> <ul style="list-style-type: none"> <li>• None Available</li> </ul> <p><b>Instruction Sheets:</b></p> <ul style="list-style-type: none"> <li>• <a href="#">Strain Relief Hardware for CHAMP Connectors (PDF, English)</a></li> </ul> <p><b>CAD Files:</b> (<a href="#">CAD Format &amp; Compression Information</a>)</p> <ul style="list-style-type: none"> <li>• <a href="#">2D Drawing (DXF, Version L)</a></li> <li>• <a href="#">3D Model (IGES, Version L)</a></li> <li>• <a href="#">3D Model (STEP, Version L)</a></li> </ul>	<p><b>Additional Information:</b></p> <ul style="list-style-type: none"> <li>• <a href="#">Product Line Information</a></li> </ul> <p><b>Related Products:</b></p> <ul style="list-style-type: none"> <li>• <a href="#">Tooling</a></li> </ul>

[List all Documents](#)

Product Features (Please use the Product Drawing for all design activity)	
<p><b>Product Type Features:</b></p> <ul style="list-style-type: none"> <li>• Accessory Type = Cover</li> <li>• Cover Type = Strain Relief</li> <li>• Color = Black</li> </ul> <p><b>Mechanical Attachment:</b></p> <ul style="list-style-type: none"> <li>• <a href="#">Cover/Strain Relief Retention Method</a> = Snap-On</li> </ul> <p><b>Dimensions:</b></p> <ul style="list-style-type: none"> <li>• <a href="#">Cable Outer Diameter (mm [in])</a> = 10.41 – 12.07 [0.410 – 0.475]</li> </ul> <p><b>Body Features:</b></p> <ul style="list-style-type: none"> <li>• <a href="#">Cable Exit Angle</a> = 90°</li> </ul> <p><b>Configuration Features:</b></p> <ul style="list-style-type: none"> <li>• <a href="#">Number of Positions</a> = 64</li> </ul>	<p><b>Industry Standards:</b></p> <ul style="list-style-type: none"> <li>• <a href="#">RoHS/ELV Compliance</a> = RoHS compliant, ELV compliant</li> <li>• <a href="#">Lead Free Solder Processes</a> = Not relevant for lead free process</li> <li>• <a href="#">RoHS/ELV Compliance History</a> = Always was RoHS compliant</li> </ul> <p><b>Operation/Application:</b></p> <ul style="list-style-type: none"> <li>• <a href="#">Application Use</a> = Cable-to-Cable</li> </ul> <p><b>Packaging Features:</b></p> <ul style="list-style-type: none"> <li>• <a href="#">Packaging Quantity</a> = 100 Kits</li> <li>• <a href="#">Packaging Method</a> = Bulk</li> </ul> <p><b>Other:</b></p> <ul style="list-style-type: none"> <li>• <a href="#">Brand</a> = AMP</li> <li>• <a href="#">Comment</a> = Strain relief cover cable diameter range is a guideline. The appropriate strain relief cover depends on cable stiffness, cable packing and fillers.</li> </ul>

### Corporate Information

- [About TE](#)
- [Investors](#)
- [News Room](#)
- [Supplier Portal](#)
- [Careers](#)
- [Terms & Conditions](#)

### Quick Links

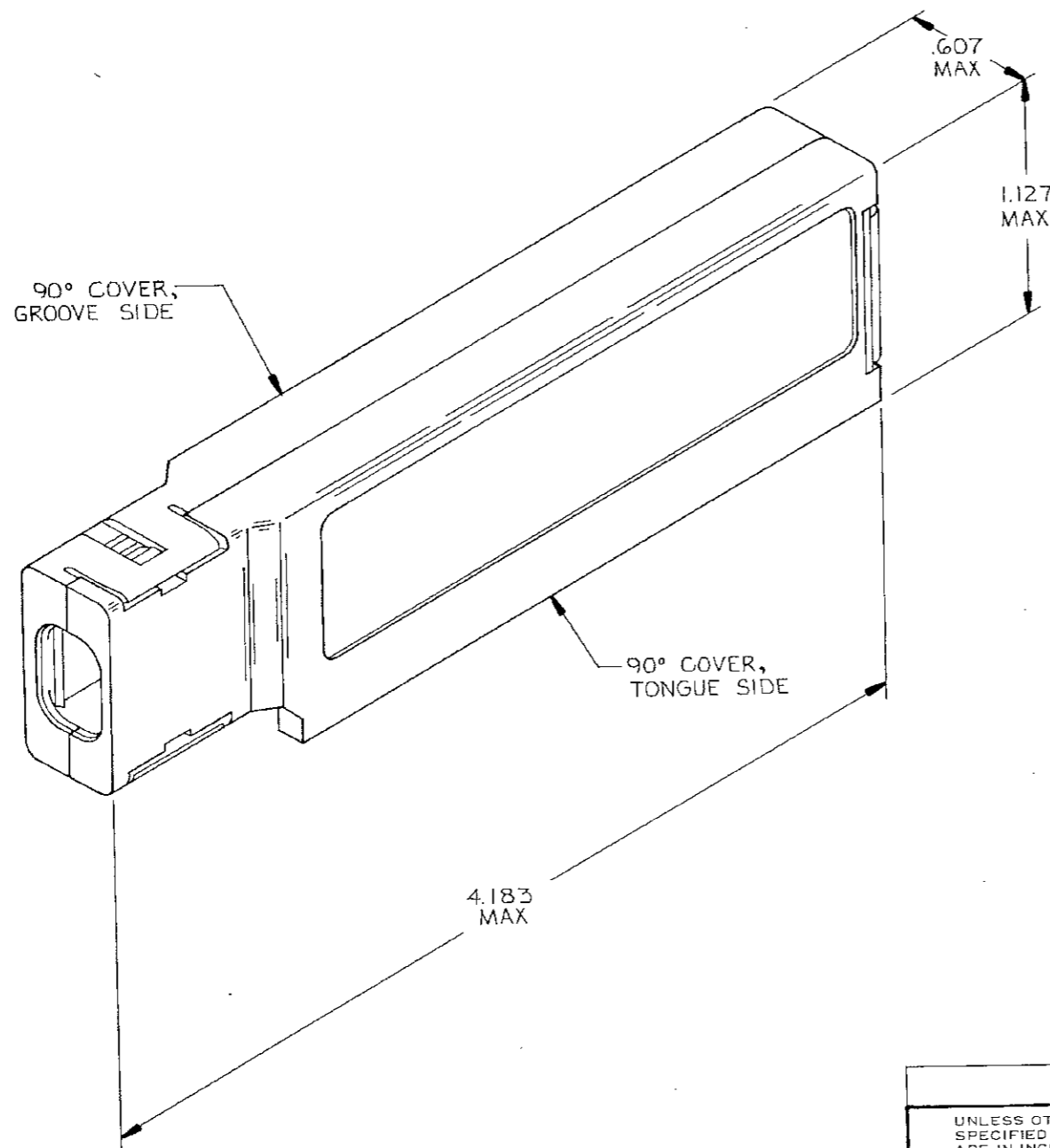
- [Distributor Inventory](#)
- [Product Cross Reference](#)
- [Documents & Drawings](#)
- [Product Compliance Support Center](#)
- [Site Map](#)

### Customer Support

- [Email or Chat With Us](#)
- [Find a Phone Number](#)
- [Knowledge Base](#)
- [Manage Your Account](#)

P		F		ZONE		LTR		REVISIONS		DATE	APPROVED
								J1	REVISED PER ECO-11-005297	08APR11	RK HMR

1. COVERS SHIPPED NOT ASSEMBLED.
2. 100 KITS BULK PACKED.



.540 - .605	BLACK	2-	-1	2-	-1	2-	-1
.475 - .540	BLACK	1-	-1	1-	-1	1-	-1
.410 - .475	BLACK						
CABLE RANGE DIAMETER	COLOR	GROOVE SIDE PART NO.		TONGUE SIDE PART NO.		KIT PART NO.	
		552494 -1	552495 -1	552496 -1			

UNLESS OTHERWISE SPECIFIED DIMENSIONS ARE IN INCHES. TOLERANCES ON: DECIMALS ± — ANGLES ± —	CONTRACT NO	<b>TE</b> TE Connectivity			
	DR S. Pozorsanckuk 1-29-85			NAME COVER KIT, 90 DEG 64 POSITION, CHAMP®	
	MATERIAL POLYPHENYLENE	CHK C. Gant 1-30-85	APPD W. J. Johnson 1-31-85		
	FINISH	APPD W. J. Johnson 1-31-85	DSGN APPD		
	OTHER APPD	SIZE C	FSCM NO 00779	DRAWING NO 552496	
		SCALE 2:1	SHEET 1 OF 1		

552496

CUSTOMER DRAWING