

Distributed by:

JAMECO[®]
ELECTRONICS

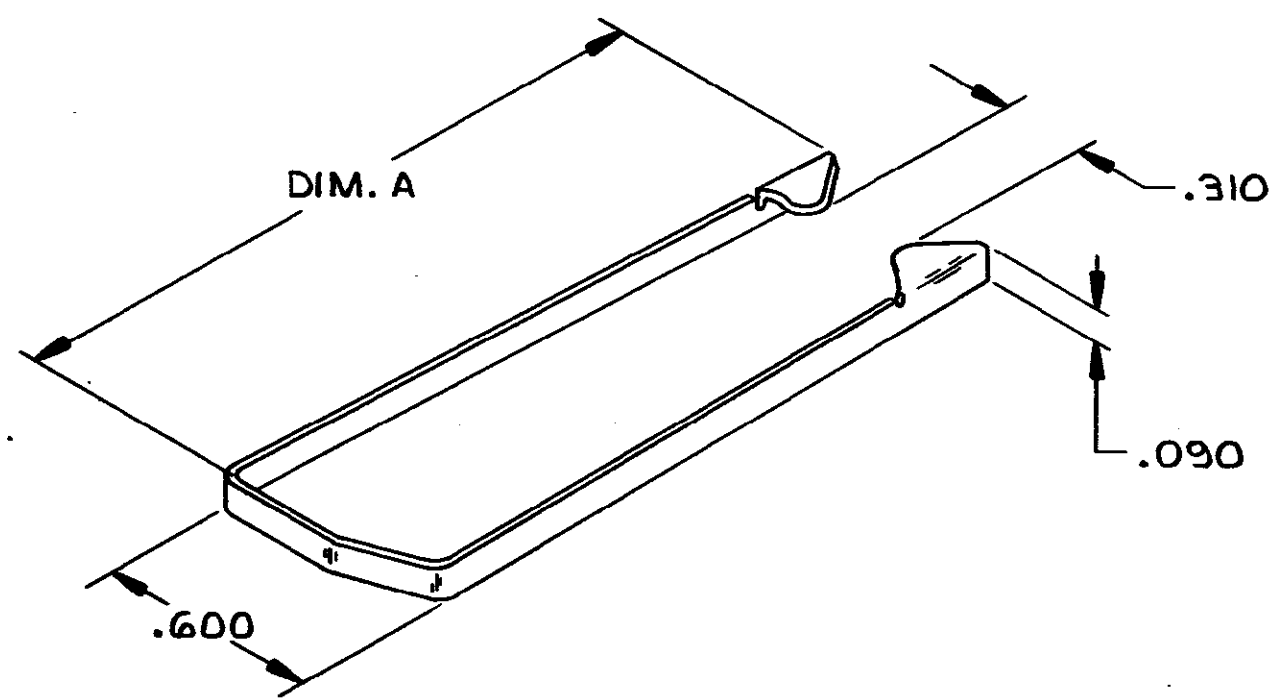
www.Jameco.com ♦ 1-800-831-4242

The content and copyrights of the attached
material are the property of its owner.

Jameco Part Number 754620

© COPYRIGHT 1977 BY AMP INCORPORATED, HARRISBURG, PA.
 ALL INTERNATIONAL RIGHTS RESERVED. AMP INCORPORATED PRODUCTS
 COVERED BY U. S. AND FOREIGN PATENTS AND/OR PATENTS PENDING.

				1		LOC AA	DIST 10/2
REVISIONS							
P	F	ZONE	LTR	DESCRIPTION	DATE	APPROVED	
A	✓		A	REDWN & ADD-3 PER NPI C80-50	6/26/80	GB	mz



1. ALL DIMENSIONS SHOWN ARE FOR REFERENCE ONLY UNLESS OTHERWISE SPECIFIED.

2. MATERIAL: PASSIVATED STAINLESS STEEL.

B WAS 1228-77-8-1420

64	1.820	552723-3
14 & 24	.857	552723-2
36 & 50	1.338	552723-1
POSITIONS	DIM. A	PART NO

UNLESS OTHERWISE SPECIFIED DIMENSIONS ARE IN INCHES. TOLERANCES ON: DECIMALS ± # ANGLES ± #	CONTRACT NO	AMP INCORPORATED Harrisburg, Pa.	
	DR <i>A. Bourne</i> 6-26-80	NAME	
MATERIAL	CHK <i>MD/mw</i> 6-27-80	LATCH, LOCKING, CHAMP-LOK	
FINISH	APPD <i>B. G. White</i> 7/9/80	SIZE	CODE IDENT NO
	APPD <i>W. J. Somerville</i> 7/9/80	B	00779
	DSGN APPD	DRAWING NO	
	OTHER APPD	552723	
		SCALE	SHEET
		2/1	1 OF 1