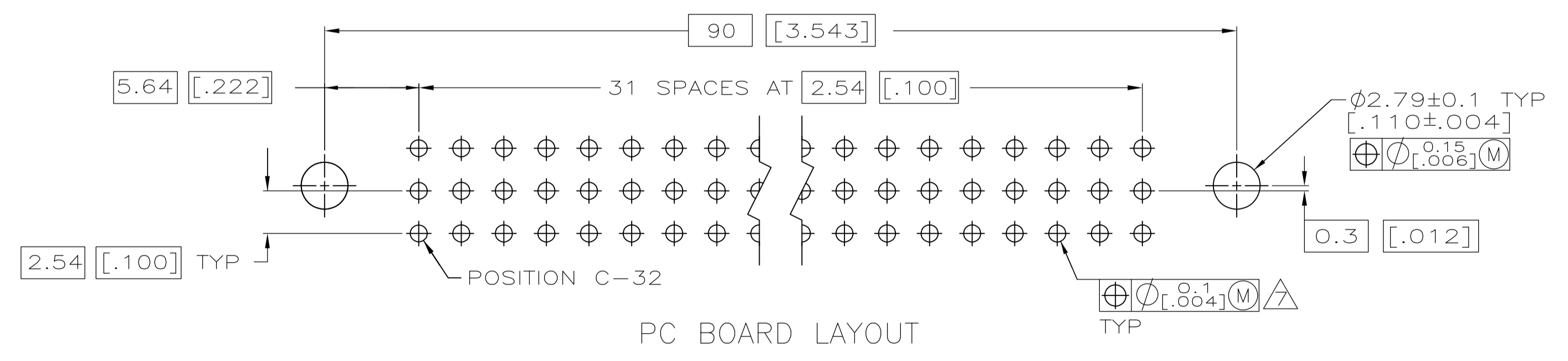
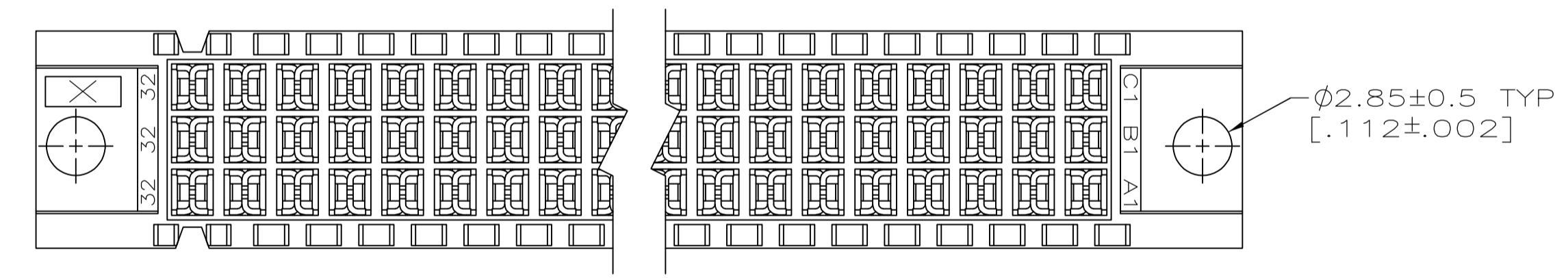
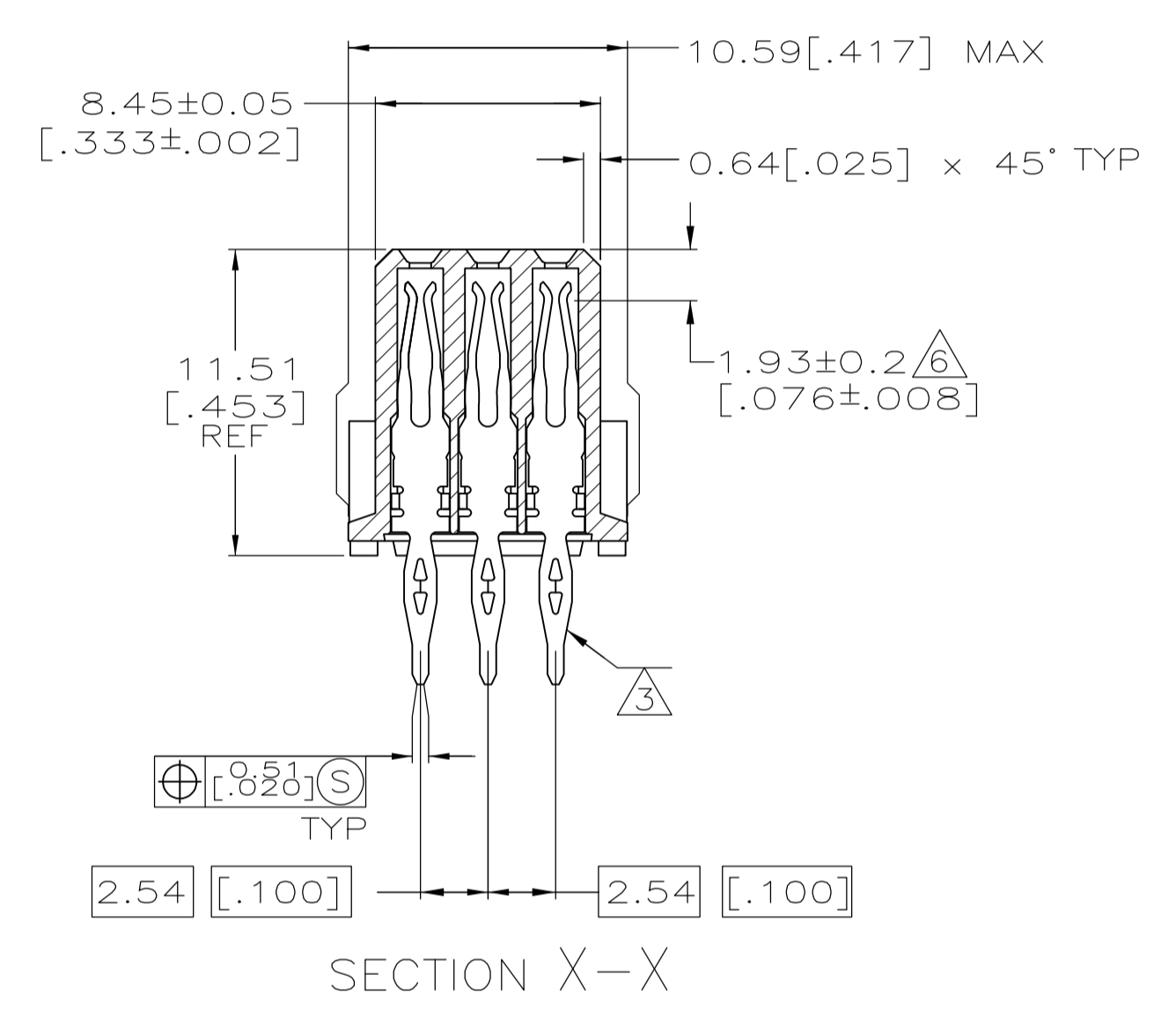
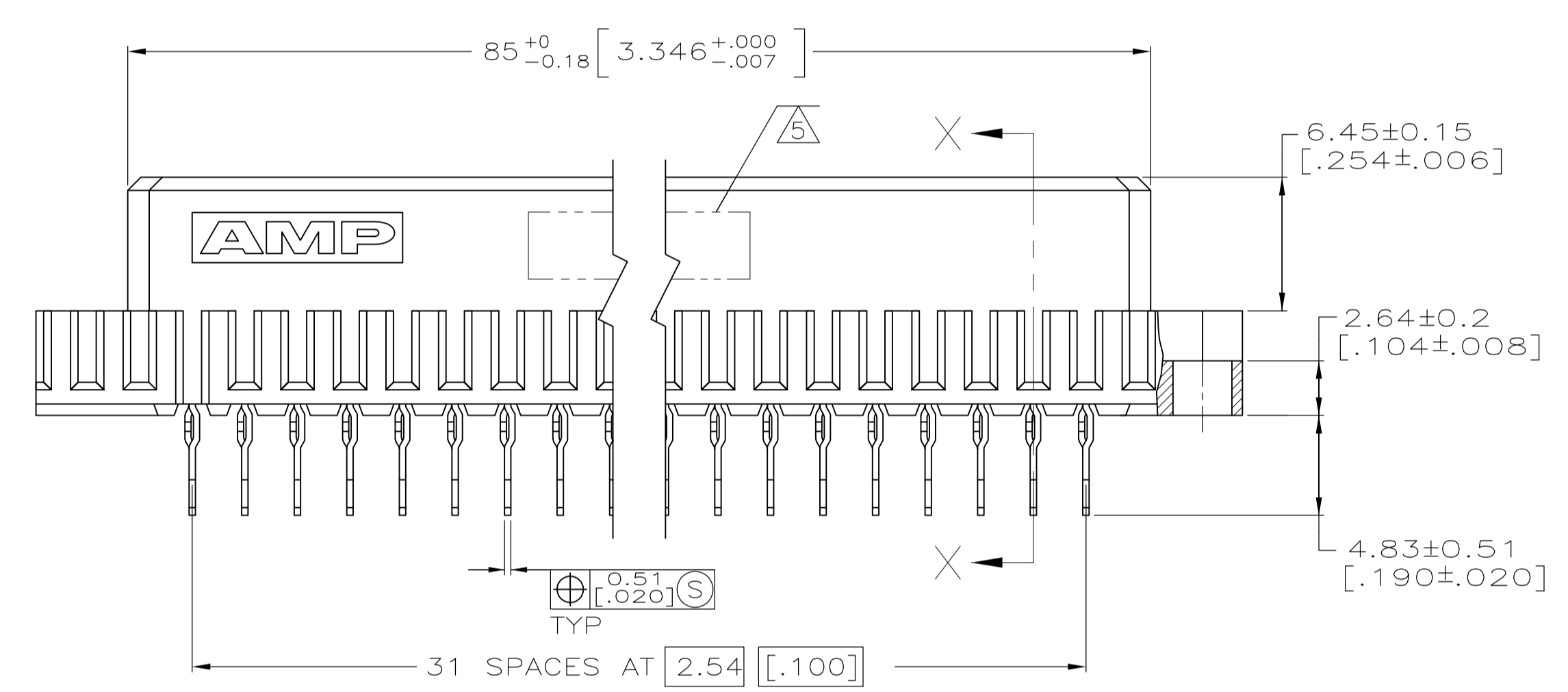


- △ HOUSING MATERIAL: GLASS-FILLED POLYMER. COLOR: GRAY.
- △ CONTACT MATERIAL: COPPER ALLOY.
- △ CONTACT FINISH: DIN 41612 CLASS 2 IN CONTACT AREA. TIN PLATE ON POSTS.
- △ CONTACT FINISH: DIN 41612 CLASS 3 IN CONTACT AREA. TIN PLATE ON POSTS.
- △ PART NUMBER, DATE CODE IDENTIFICATION, CSA LOGO IN THIS APPROXIMATE AREA.
- △ POINT OF MEASUREMENT FOR FINISH.
- △ ACTION PIN POSTS REQUIRE 1.57 [.062] MINIMUM THICK PC BOARD. RECOMMENDED PC BOARD HOLES ARE $\phi .151 \pm 0.2$ [.0453 ± .001] DRILLED HOLE WITH 0.02-0.07 [.001-.003] COPPER AND 0.008 [.0003] MINIMUM TIN-LEAD PLATING. FINISHED HOLE AFTER PLATING, $\phi 0.94-1.09$ [.037-.043].



FINISH	POSITIONS LOADED	1 THRU 32	X	X	X	96	5535032-9
		1 THRU 32	X	X	X	96	5535032-5
		1 THRU 32	X	X	X	96	5535032-4
		C	B	A		NO. OF LOADED POSITIONS	ASSY PART NUMBER

THIS DRAWING IS A CONTROLLED DOCUMENT.

DIMENSIONS: mm [INCHES]	TOLERANCES UNLESS OTHERWISE SPECIFIED:	DIN J. POLIGNONE 25MAY05	TE Connectivity
0 PLC ± -	1 PLC ± -	25MAY05	ASSEMBLY, RECEPTACLE, EUROCARD, TYPE C, LEAD-FREE, 96 POSITION, 4.83 [.190] TOOLLESS, PRESS-FIT
2 PLC ± 0.13 [.005]	3 PLC ± -	APVD A. SHARPE 25MAY05	SIZE: A1 00779 C=5535032
4 PLC ± -	ANGLES ± -	APVD A. SHARPE 25MAY05	WEIGHT: -
MATERIAL	FINISH	SCALE: 4:1	SHEET 1 OF 1 REV P