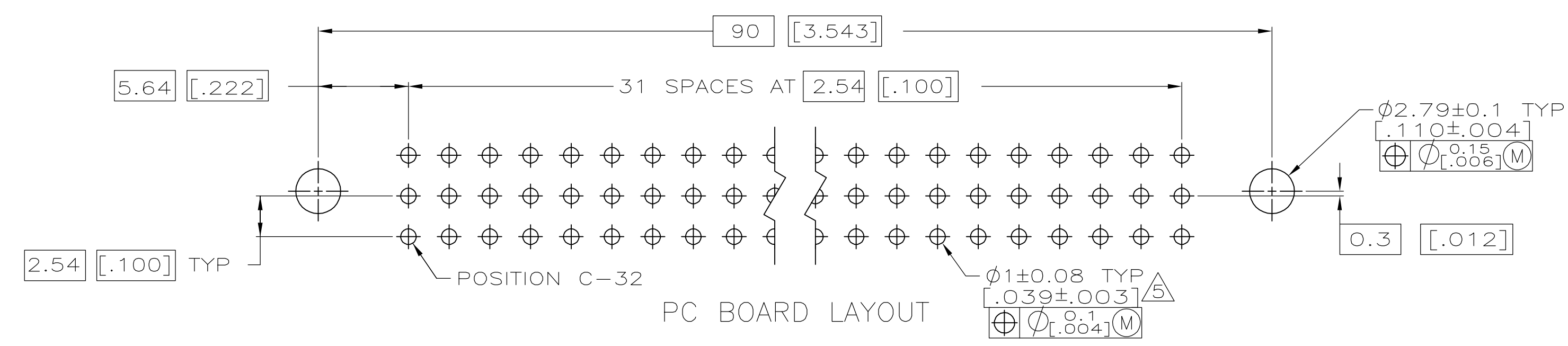
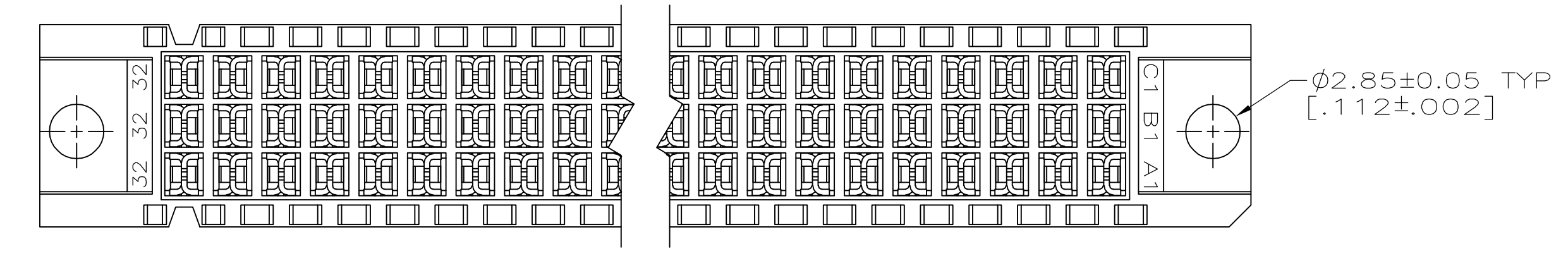
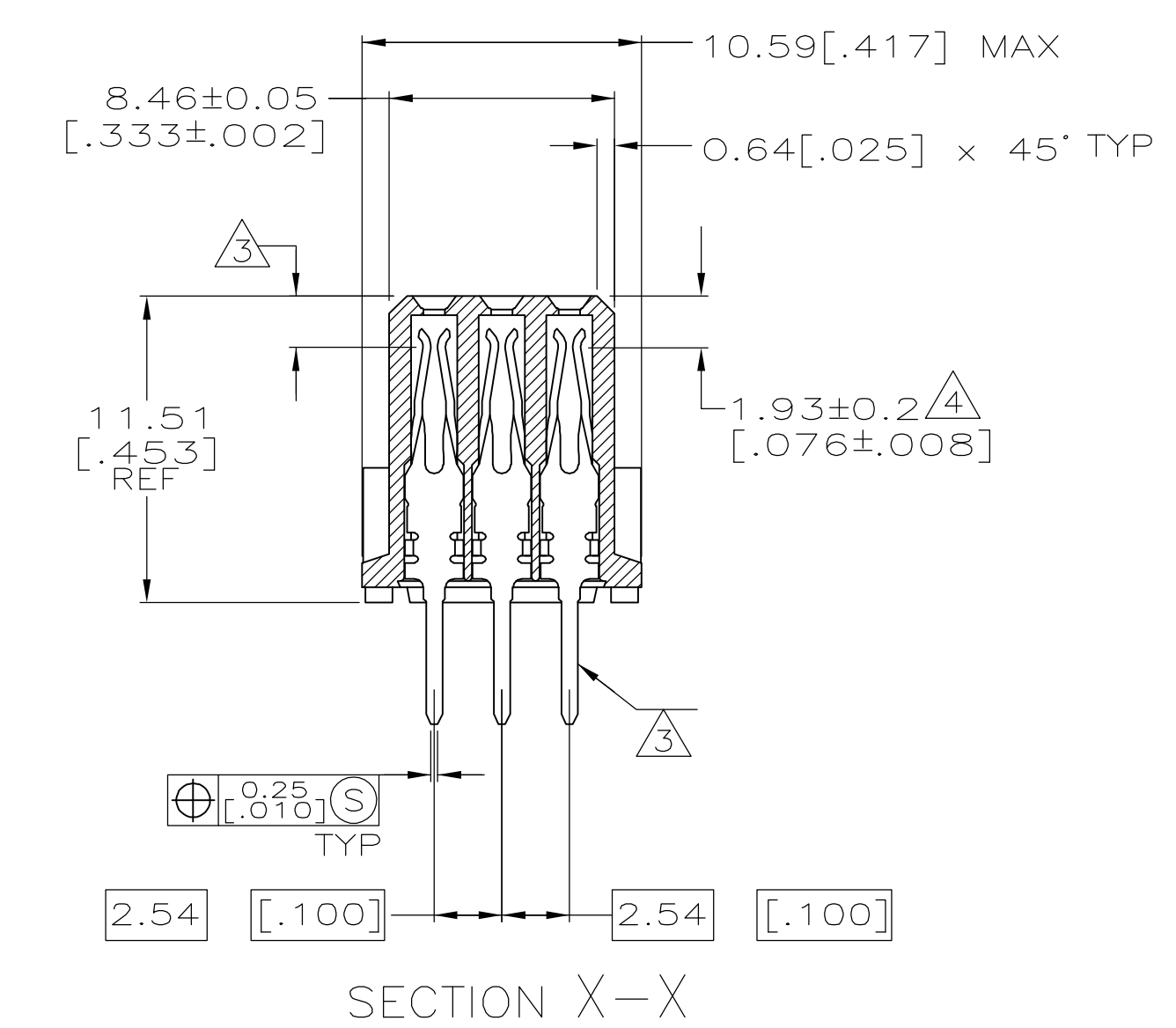
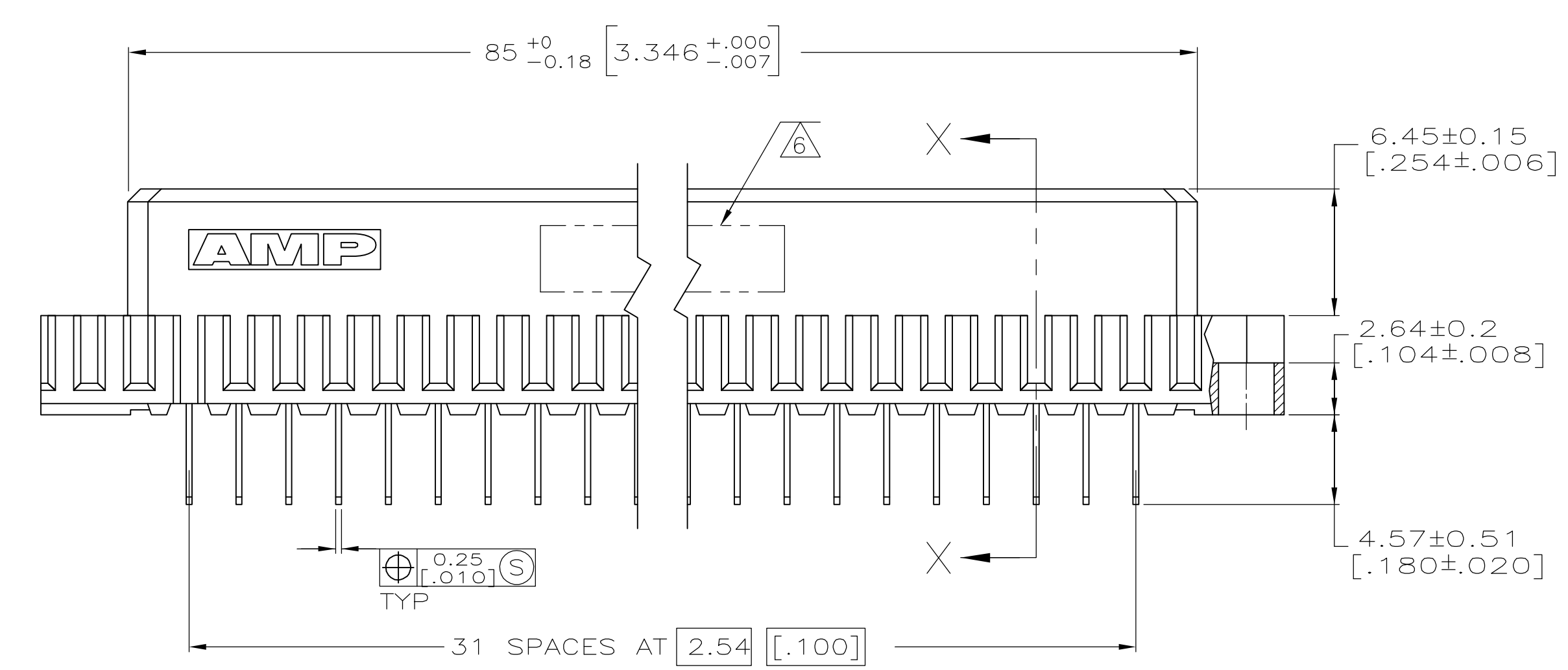
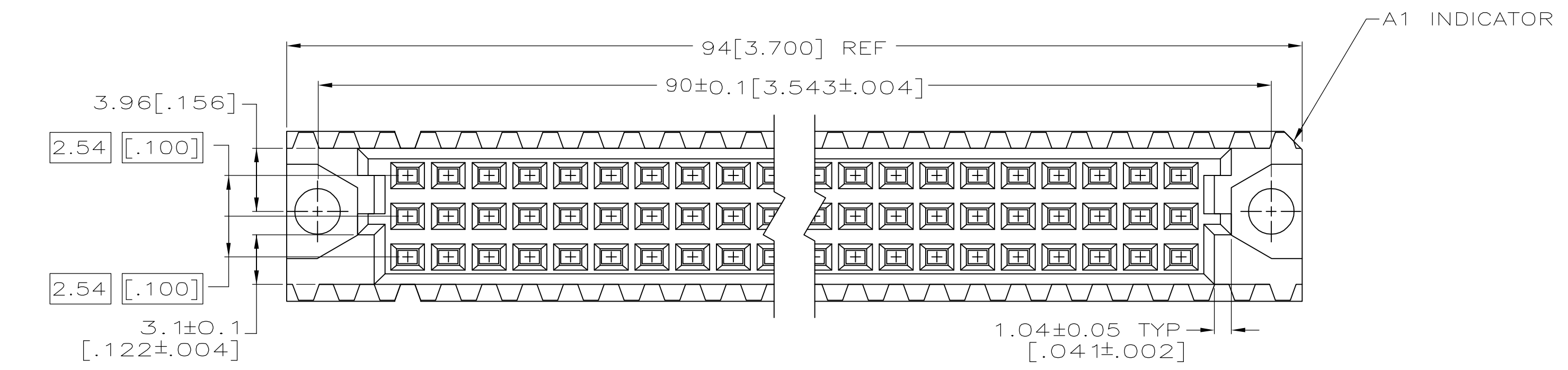


- ① HOUSING MATERIAL: GLASS-FILLED POLYMER.
- ② CONTACT MATERIAL: COPPER ALLOY.
- ③ CONTACT FINISH: DIN 41612 CLASS 2 IN CONTACT AREA. TIN PLATE ON POSTS.
- ④ CONTACT POINT.
- ⑤ RECOMMENDED HOLE SIZE FOR MANUAL APPLICATION OF CONNECTOR ONTO PC BOARD.
- ⑥ PART NUMBER, DATE CODE IDENTIFICATION, CSA LOGO IN THIS APPROXIMATE AREA, ON REVERSE SIDE.



③	1 THRU 32	X	X	X	96	5535043-5
③	1 THRU 32	X	X	X	96	5535043-4
NOTE	POSITIONS LOADED	C	B	A	NO. OF LOADED POSITION	ASSY PART NUMBER

THIS DRAWING IS A CONTROLLED DOCUMENT.		DIN J. POLIGNONE 27MAY05	Tyco Electronics Corporation Harrisburg, Pa 17105-3608
DIMENSIONS: mm [INCHES]		CIK A. SHARPE 27MAY05	
TOLERANCES UNLESS OTHERWISE SPECIFIED:		APVD A. SHARPE 27MAY05	NAME ASSEMBLY, RECEPTACLE, EUROCARD, TYPE C, LEAD-FREE, 96 POSITION, 4.57 [1.180] SOLDER POSTS
0 PLC ± -	1 PLC ± -	2 PLC ± -	APPLICATION SPEC
3 PLC ± 0.13 [0.005]	4 PLC ± -	ANGLES ± -	SIZE A1
MATERIAL	FINISH	WEIGHT	CAGE CODE 00779
CUSTOMER DRAWING		SCALE 4:1	DRAWING NO. 5535043
		SHEET 1 OF 1	REV 0