

Distributed by:

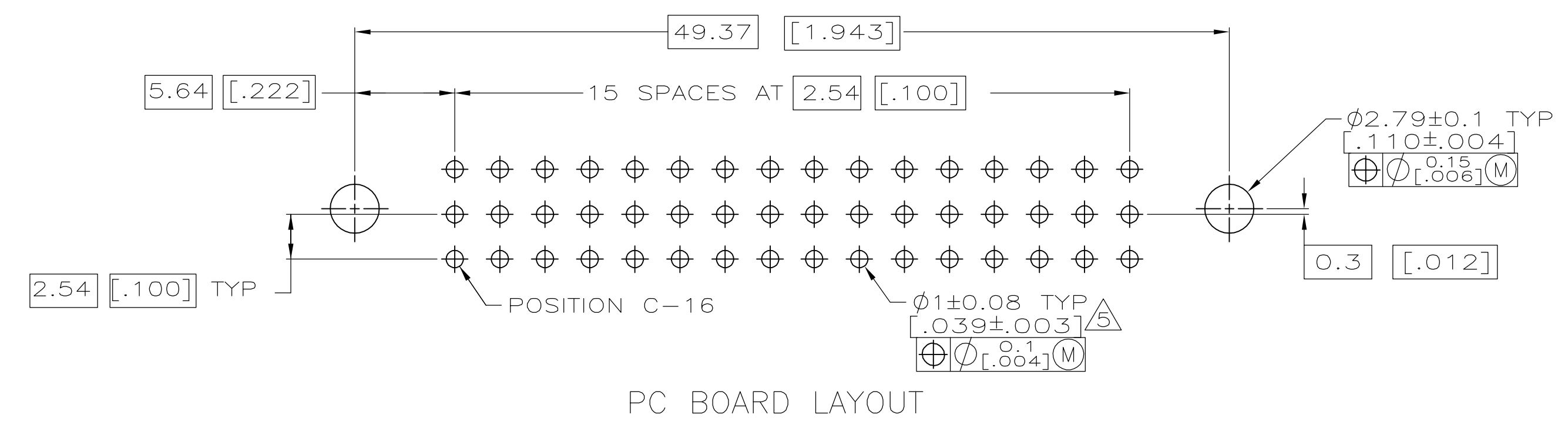
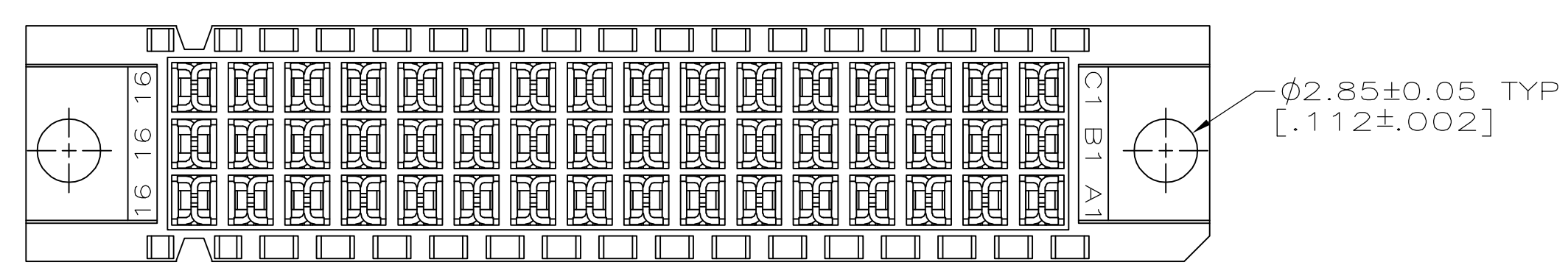
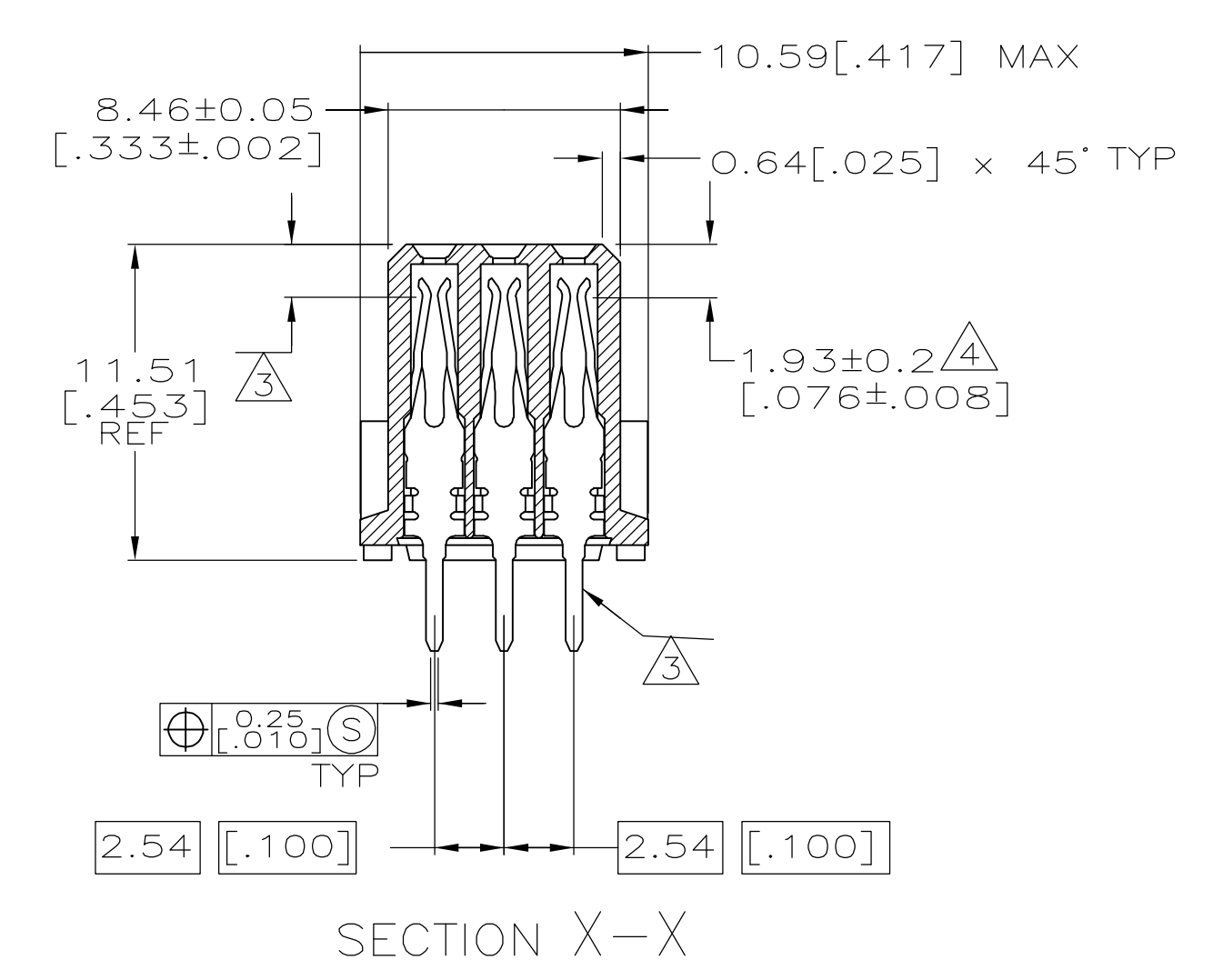
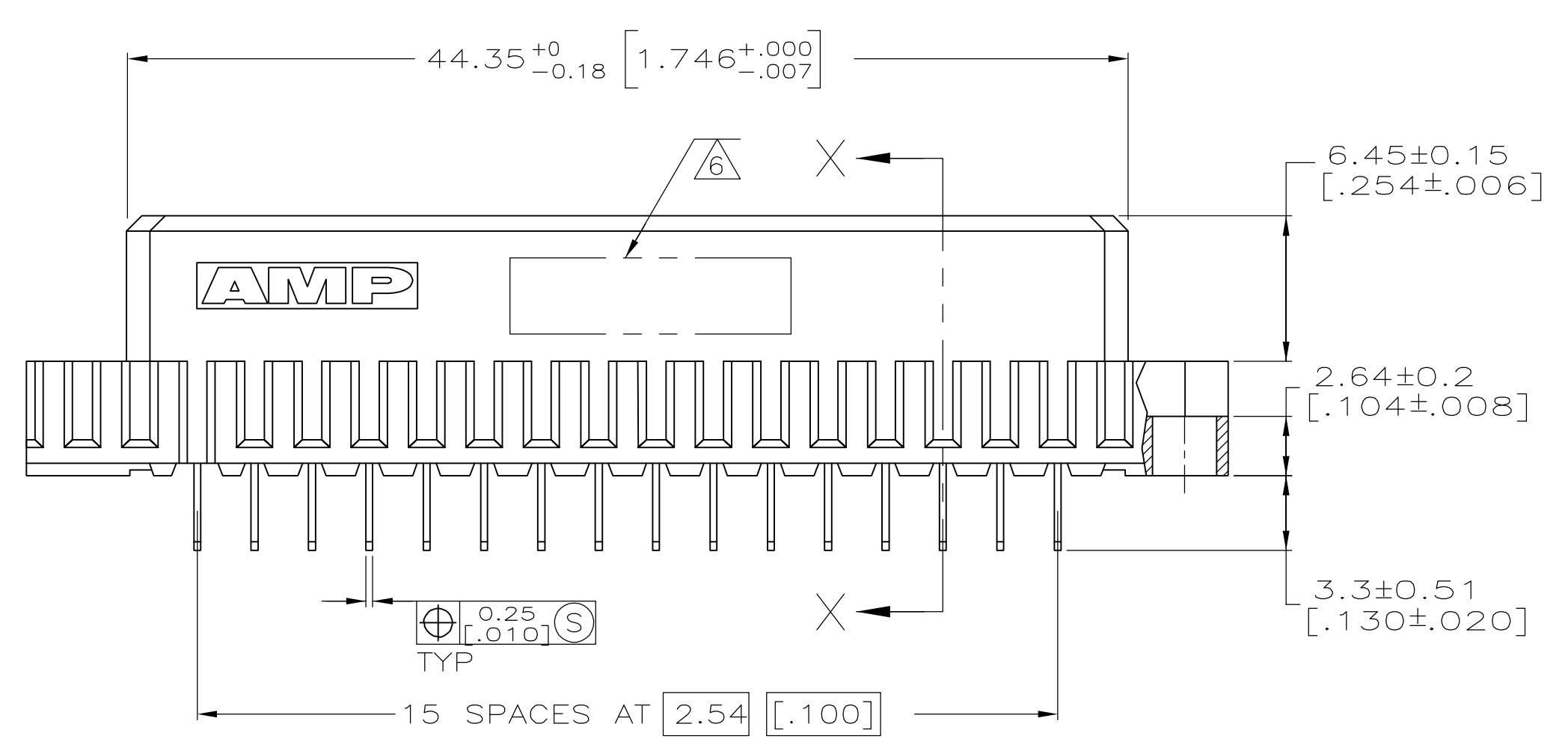
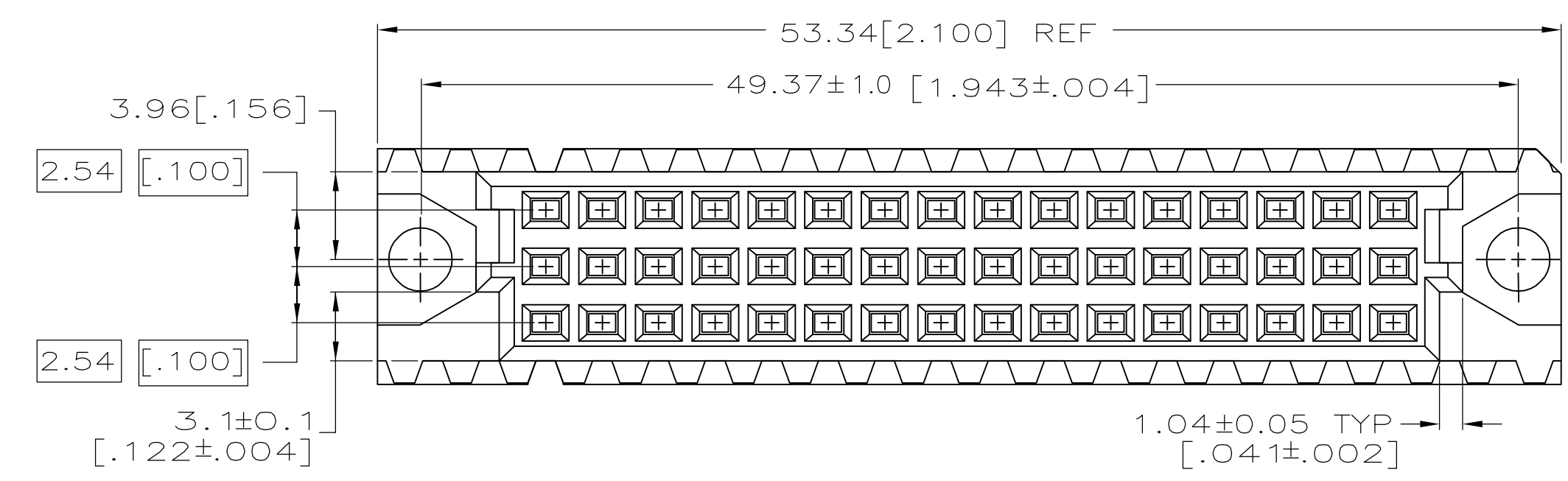
JAMECO[®]
ELECTRONICS

www.Jameco.com ♦ 1-800-831-4242

The content and copyrights of the attached
material are the property of its owner.

Jameco Part Number 1974472

- 1 HOUSING MATERIAL: GLASS-FILLED POLYMER.
- 2 CONTACT MATERIAL: COPPER ALLOY.
- 3 CONTACT FINISH: DIN 41612 CLASS 2 IN CONTACT AREA. TIN PLATE ON POSTS.
- 4 CONTACT POINT.
- 5 RECOMMENDED HOLE SIZE FOR MANUAL APPLICATION OF CONNECTOR ONTO PC BOARD.
- 6 PART NUMBER, DATE CODE IDENTIFICATION, CSA LOGO IN THIS APPROXIMATE AREA, ON REVERSE SIDE.



1 THRU 16	X	X	X	48	5535070-5
1 THRU 16	X	X	X	48	5535070-4
POSITIONS LOADED	C	B	A	NO. OF LOADED POSITIONS	PART NUMBER

THIS DRAWING IS A CONTROLLED DOCUMENT.		DWN: J. POLIGNONE	27MAY05	Tyco Electronics Corporation Harrisburg, Pa 17105-3608
DIMENSIONS: mm [INCHES]		CHK: A. SHARPE	27MAY05	
TOLERANCES UNLESS OTHERWISE SPECIFIED:		APP'D: A. SHARPE	27MAY05	NAME: ASSEMBLY, RECEPTACLE, EUROCARD, 1/2C, LEAD-FREE, 48 POSITION, 3.30 [0.130] SOLDER POSTS
0 PLC	± -	APPLICATION SPEC		RESTRICTED TO
1 PLC	± -	SIZE: A1		000779
2 PLC	± 0.15 [0.005]	CAGE CODE		5535070
3 PLC	± -	DRAWING NO		1 OF 1
4 PLC	± -	WEIGHT		REV 0
ANGLES	± -	CUSTOMER DRAWING		SCALE 4:1
FINISH	± -	SHEET		1 OF 1