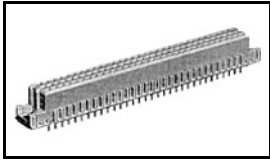


5535071-5 Product Details

[Share](#) [Print](#) [Email](#)




5535071-5

TE Internal Number: 5535071-5

 Active

[View 3D PDF](#)

Eurocard Type C

 Always EU RoHS/ELV Compliant
(Statement of Compliance)

Product Highlights:

- Eurocard Product Line
- Product Series = Type C
- Connector Assembly
- Connector Style = Receptacle
- Board-to-Board

[View all Features](#)

Quick Links

- ▶ [Pricing & Availability](#)
- ▶ [Search for Tooling](#)
- ▶ [View Mating Products \(10\)](#)
- ▶ [Product Feature Selector](#)
- ▶ [Contact Us About This Product](#)

[Add to My Part List](#)

[Request Sample](#)

[Find Similar Products](#)

[Buy Product](#)

Documentation & Additional Information

Product Drawings:

- [ASSEMBLY, RECEPTACLE, EUROCARD, TYPE 1/2C, 48 POSIT... \(PDF, English\)](#)

Catalog Pages/Data Sheets:

- None Available

Product Specifications:

- None Available

Application Specifications:

- [Eurocard Connectors Types B,C,M,Q,R, & Enhanced Typ... \(PDF, English\)](#)

Instruction Sheets:

- None Available

CAD Files: (CAD Format & Compression Information)

- [2D Drawing \(DXF, Version 0\)](#)
- [3D Model \(IGES, Version 0\)](#)
- [3D Model \(STEP, Version 0\)](#)

[List all Documents](#)

Additional Information:

- [Product Line Information](#)

Related Products:

- [Tooling](#)
- [Mating Products \(10\)](#)

Product Features (Please use the Product Drawing for all design activity)

Product Type Features:

- Product Line = Eurocard
- Product Series = Type C
- Connector Type = Connector Assembly
- [PCB Mount Retention](#) = Without
- [PCB Mounting Orientation](#) = Vertical
- Size = Half
- [Make First / Break Last](#) = No
- [DIN Level](#) = II

Electrical Characteristics:

- Contact - Rated Current (A) = 1.5

Termination Features:

- [Termination Post Length \(mm \[in\]\)](#) = 4.57 [0.180]
- Termination Method to PC Board = Through Hole - Solder

Configuration Features:

- Number of Rows = 3
- [Number of Positions](#) = 48
- [Rows Loaded](#) = A, B, C

Industry Standards:

- [RoHS/ELV Compliance](#) = RoHS compliant, ELV compliant
- [Lead Free Solder Processes](#) = Wave solder capable to 260°C, Wave solder capable to 240°C, Wave solder capable to 265°C
- [RoHS/ELV Compliance History](#) = Always was RoHS compliant

Conditions for Usage:

- [Applies To](#) = Printed Circuit Board

Contact Features:

- Contact Type = Socket
- Contact Base Material = Copper Alloy
- Contact Plating, Mating Area, Material = DIN 41612 Class 2
- Contact Plating, Termination Area, Material = Tin
- [Contact Cross Section \(mm \[in\]\)](#) = 0.30 x 0.61 [.012 x .024]

Housing Features:

- Connector Style = Receptacle
- Centerline (mm [in]) = 2.54 [0.100]
- Mating Alignment = With
- Mating Alignment Type = Polarization
- Housing Material = Glass Filled Polyester
- UL Flammability Rating = UL 94V-0

Operation/Application:

- Application Use = Board-to-Board
- Contact Transmits (Typical Application) = Signal (Data)

Other:

- Brand = AMP

Corporate Information

[About TE](#)
[Investors](#)
[News Room](#)
[Supplier Portal](#)
[Careers](#)
[Terms & Conditions](#)
[Privacy Policy](#)

Quick Links

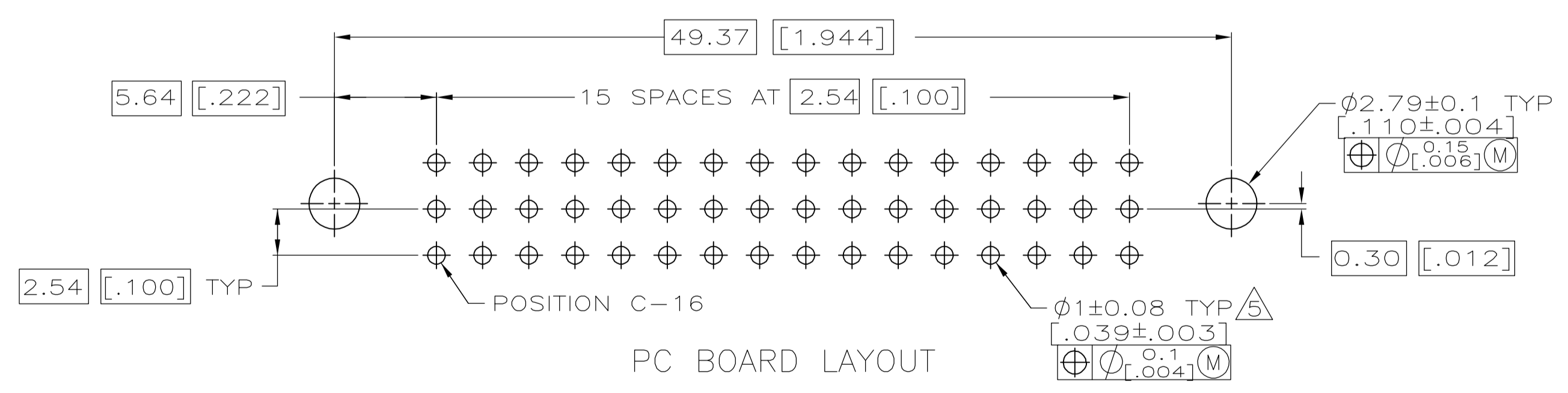
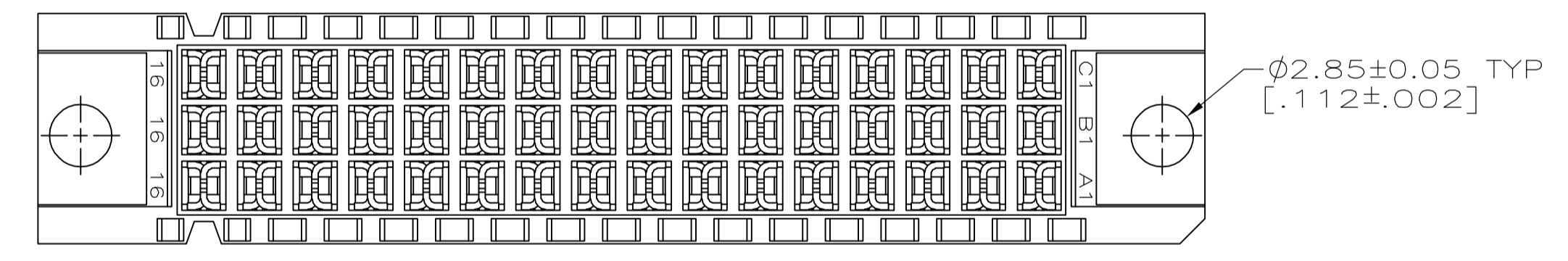
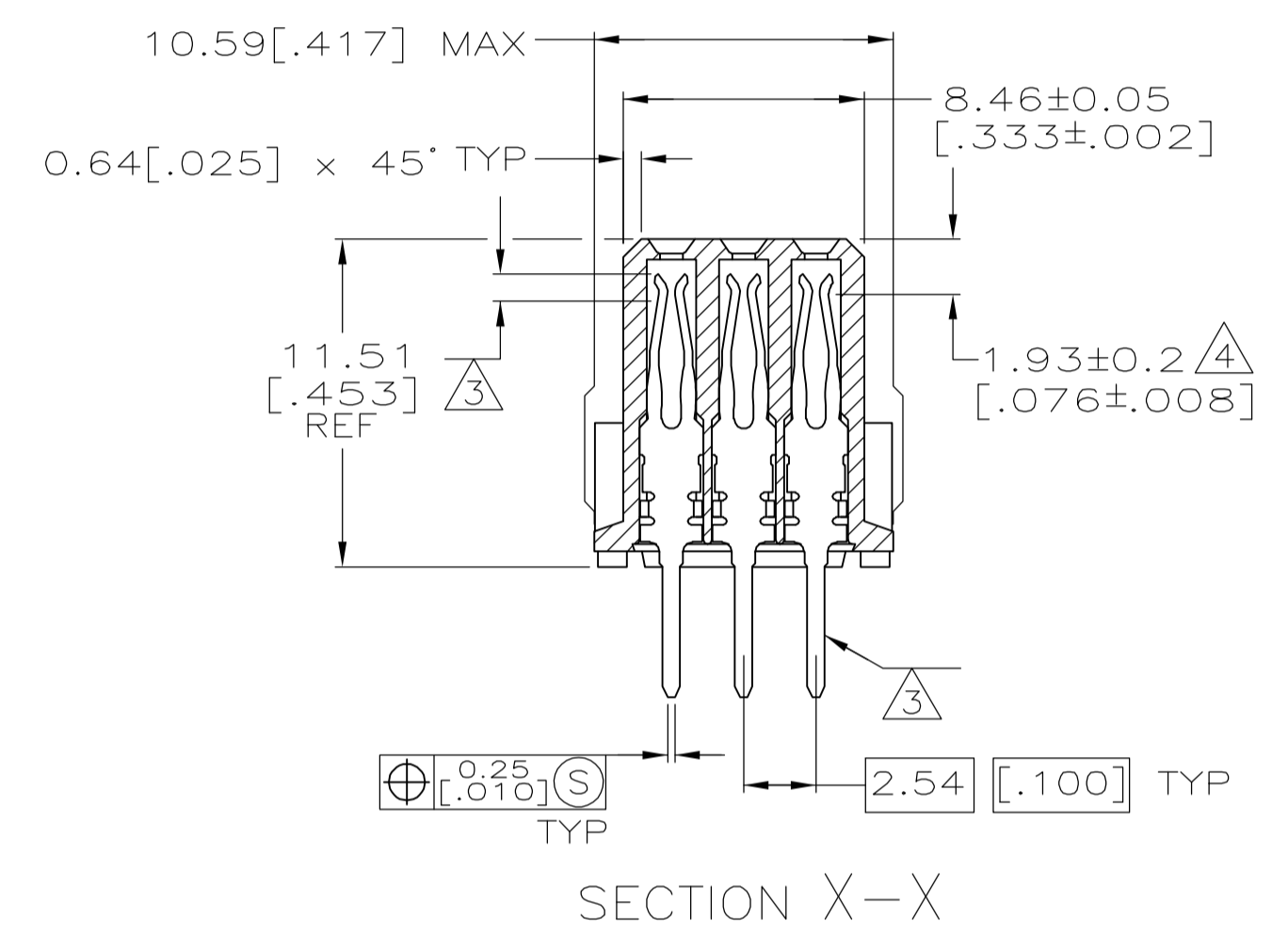
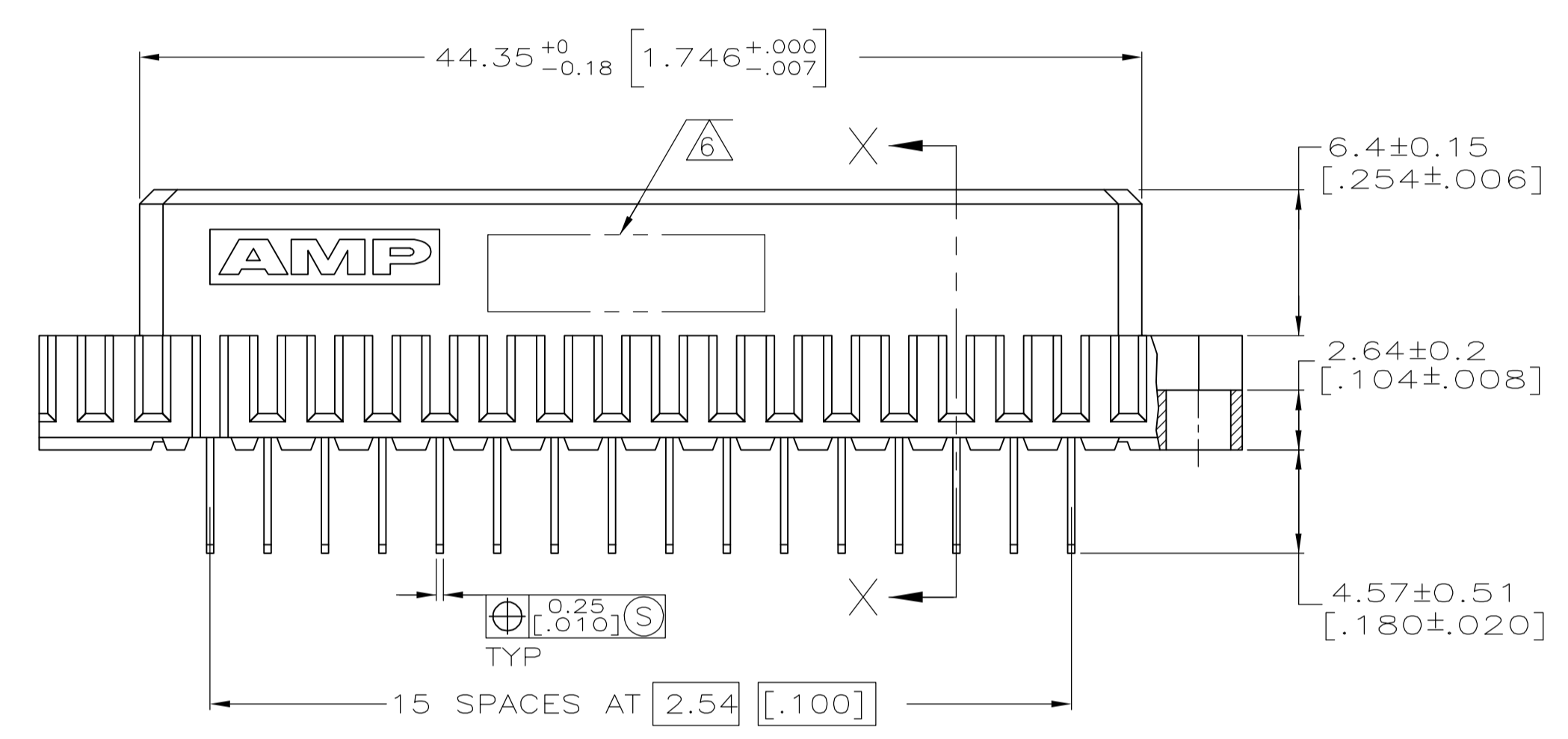
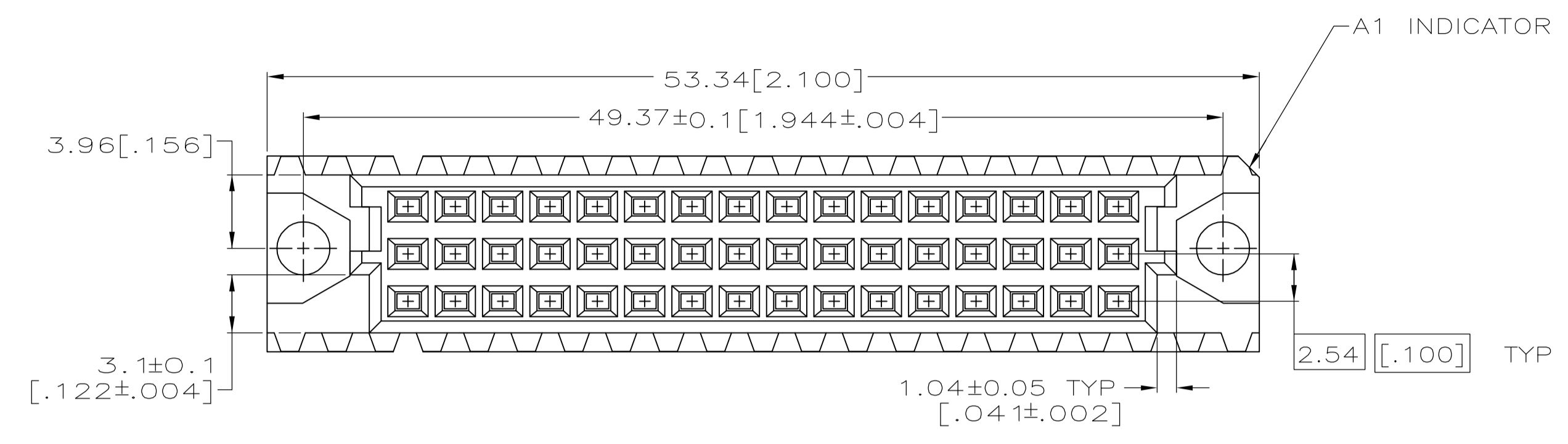
[Distributor Inventory](#)
[Product Cross Reference](#)
[Documents & Drawings](#)
[Product Compliance Support Center](#)
[Site Map](#)

Customer Support

[Email or Chat With Us](#)
[Find a Phone Number](#)
[Knowledge Base](#)
[Manage Your Account](#)

Keep Me Informed

- ① HOUSING MATERIAL: GLASS-FILLED POLYMER.
- ② CONTACT MATERIAL: COPPER ALLOY.
- ③ CONTACT FINISH: DIN 41612 CLASS 2 IN CONTACT AREA. TIN PLATE ON POSTS.
- ④ CONTACT POINT.
- ⑤ RECOMMENDED HOLE SIZE FOR MANUAL APPLICATION OF CONNECTOR ONTO PC BOARD.
- ⑥ PART NUMBER, DATE CODE IDENTIFICATION, CSA LOGO IN THIS APPROXIMATE AREA, ON REVERSE SIDE.



③	1 THRU 16	X	X	X	48	5535071-5
③	1 THRU 16	X	X	X	48	5535071-4
NOTES	POSITIONS LOADED	C	B	A	NO. OF LOADED POSITIONS	ASSY PART NUMBER

THIS DRAWING IS A CONTROLLED DOCUMENT.		DWN	J. POLIGNONE	27MAY05	Tyco Electronics Corporation Harrisburg, PA 17105-3608	
DIMENSIONS: mm [INCHES]		CHK	A. SHARPE	27MAY05	ASSEMBLY, RECEPTACLE, EUROCARD, TYPE 1/2C, 48 POSITION, 4.57[.180] SOLDER POSTS	
TOLERANCES UNLESS OTHERWISE SPECIFIED:		APVD	A. SHARPE	27MAY05	SIZE	CAGE CODE
0 PLC	± -	PRODUCT SPEC			A1	00779
1 PLC	± -	APPLICATION SPEC			DRAWING NO	5535071
2 PLC	± -				WEIGHT	
3 PLC	± 0.13[.005]				CUSTOMER DRAWING	
4 PLC	± -				SCALE	4:1
ANGLES	± -				SHEET	1 OF 1
					REV	0