



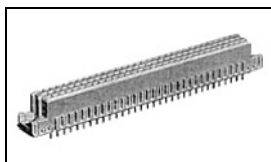
Have a Question?
 Chat with a Product Information Specialist

What can we help you find?

[Products](#) [Industries](#) [Resources](#) [About TE](#) [My Account](#) [Innovation](#) [Support Center](#)

5535089-5 Product Details

[Share](#) [Print](#) [Email](#)



5535089-5

TE Internal Number: 5535089-5

Active

[View 3D PDF](#)

Eurocard Type C

Always EU RoHS/ELV Compliant (Statement of Compliance)

Product Highlights:

- Eurocard Product Line
- Product Series = Type C
- Connector Assembly
- Connector Style = Receptacle
- Board-to-Board

[View all Features](#)

Quick Links

- ▶ [Pricing & Availability](#)
- ▶ [Search for Tooling](#)
- ▶ [View Mating Products \(7\)](#)
- ▶ [Product Feature Selector](#)
- ▶ [Contact Us About This Product](#)

[Add to My Part List](#) [Request Sample](#) [Find Similar Products](#) [Buy Product](#)

Documentation & Additional Information

Product Drawings:

- [ASSEMBLY, RECEPTACLE, EUROCARD, TYPE C, LEAD-FREE, 9...](#) (PDF, English)

Catalog Pages/Data Sheets:

- None Available

Product Specifications:

- None Available

Application Specifications:

- [Eurocard Connectors Types B,C,M,Q,R, & Enhanced Typ...](#) (PDF, English)

Instruction Sheets:

- None Available

CAD Files: [\(CAD Format & Compression Information\)](#)

- [2D Drawing](#) (DXF, Version 0)
- [3D Model](#) (IGES, Version 0)
- [3D Model](#) (STEP, Version 0)

[List all Documents](#)

Additional Information:

- [Product Line Information](#)

Related Products:

- [Tooling](#)
- [Mating Products \(7\)](#)

Product Features (Please use the Product Drawing for all design activity)

Product Type Features:

- Product Line = Eurocard
- Product Series = Type C
- Connector Type = Connector Assembly
- [PCB Mount Retention](#) = Without
- [PCB Mounting Orientation](#) = Vertical
- Termination Method to PC Board = Through Hole - Solder
- Size = Standard
- Make First / Break Last = No
- Bus Type = FUTUREBUS, MULTIBUS (II), NUBUS, VMEbus, VXIBus
- DIN Level = II

Electrical Characteristics:

- Contact - Rated Current (A) = 1.5

Termination Features:

- [Termination Post Length \(mm \[in\]\)](#) = 2.49 [0.098]

Contact Features:

- Contact Type = Socket
- Contact Base Material = Copper Alloy
- Contact Plating, Mating Area, Material = DIN 41612 Class 2
- Contact Plating, Termination Area, Material = Tin
- [Contact Cross Section \(mm \[in\]\)](#) = 0.30 x 0.61 [.012 x .024]

Housing Features:

- Connector Style = Receptacle
- Centerline (mm [in]) = 2.54 [0.100]
- Mating Alignment = With
- Mating Alignment Type = Polarization
- Housing Material = Glass Filled Polyester
- UL Flammability Rating = UL 94V-0

Configuration Features:

- Number of Rows = 3
- [Number of Positions](#) = 96
- [Rows Loaded](#) = A, B, C

Industry Standards:

- [RoHS/ELV Compliance](#) = RoHS compliant, ELV compliant
- [Lead Free Solder Processes](#) = Wave solder capable to 260°C, Wave solder capable to 240°C, Wave solder capable to 265°C
- RoHS/ELV Compliance History = Always was RoHS compliant

Conditions for Usage:

- [Applies To](#) = Printed Circuit Board

Operation/Application:

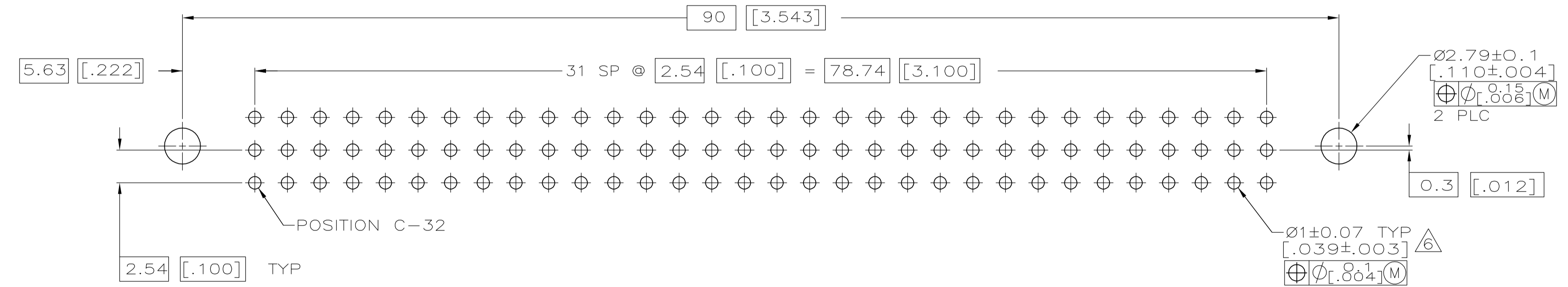
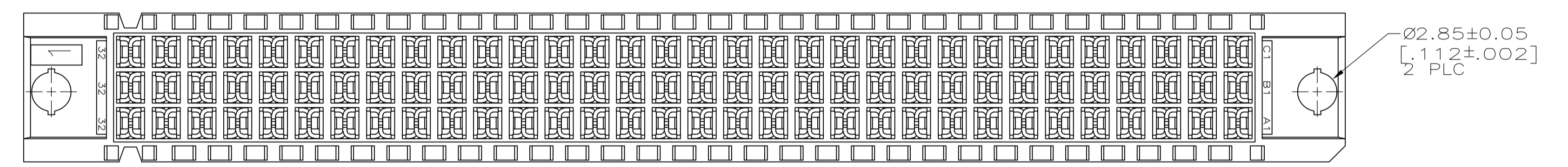
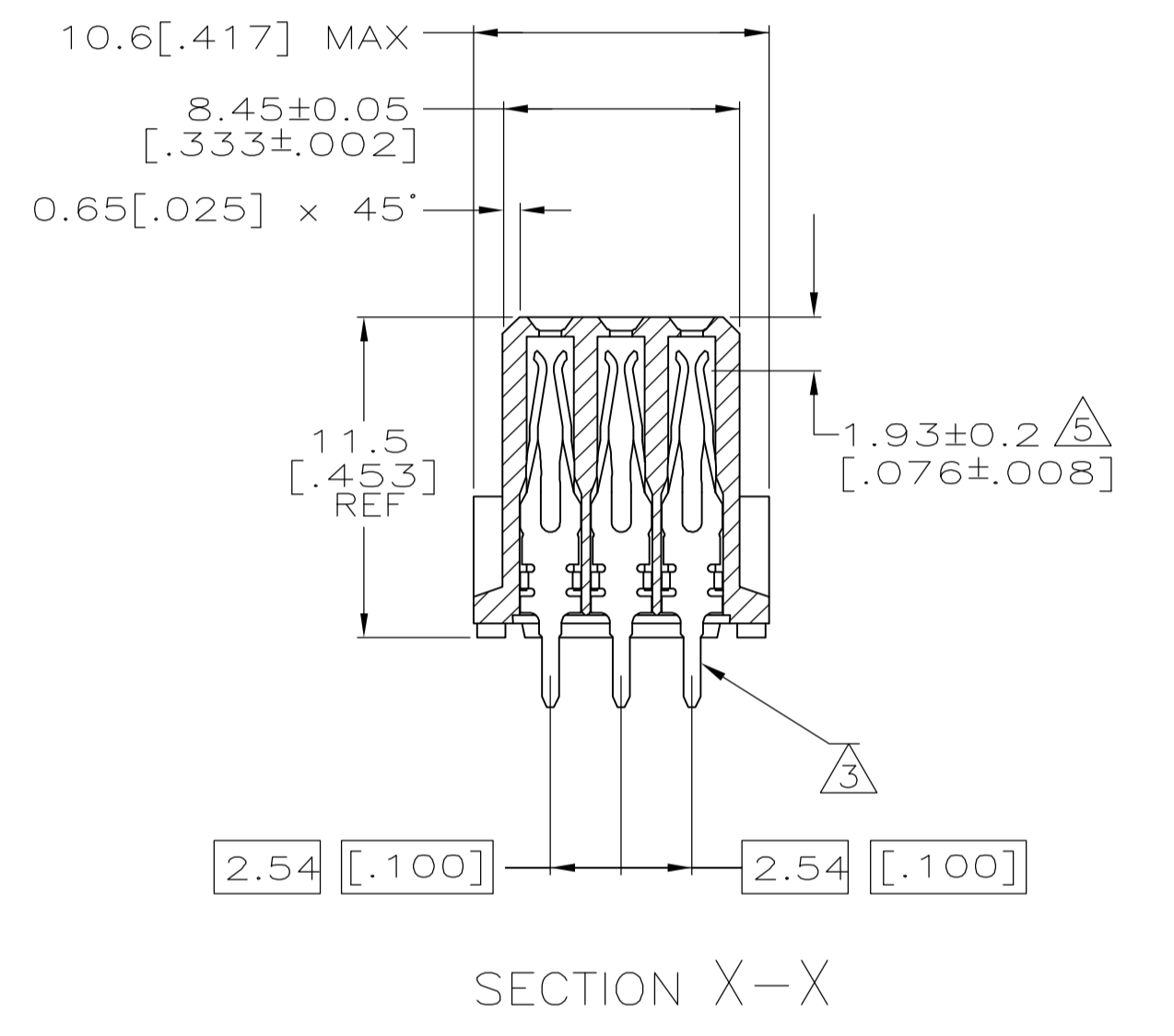
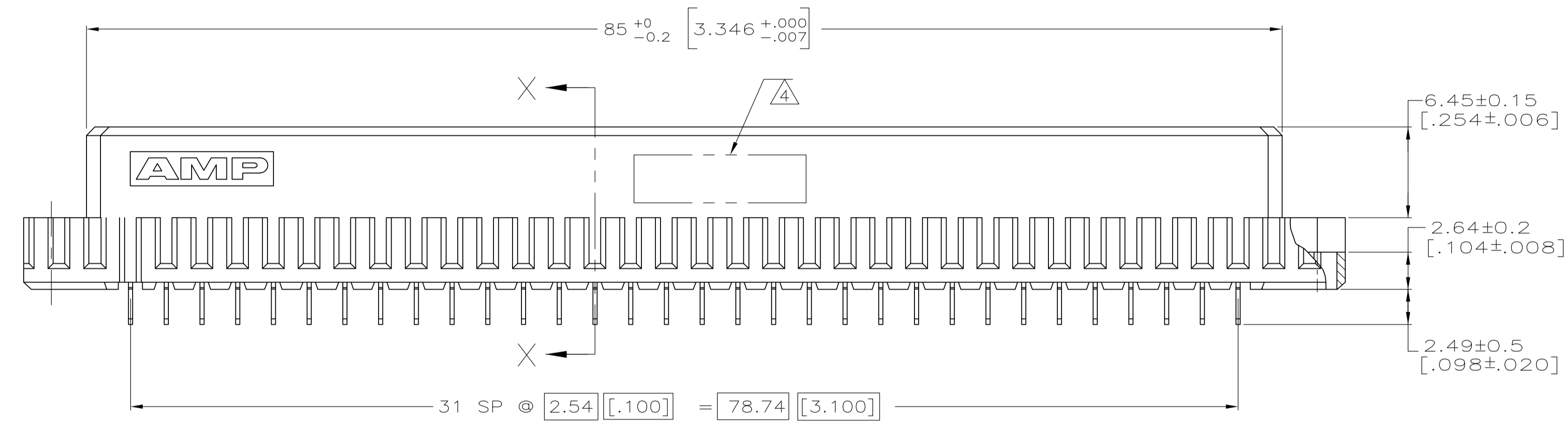
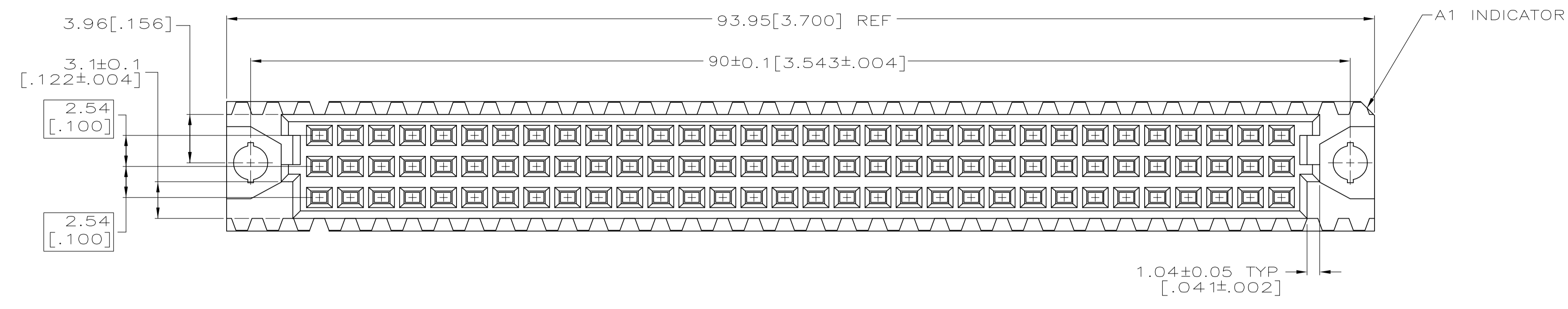
- Application Use = Board-to-Board
- Contact Transmits (Typical Application) = Signal (Data)

Other:

- Brand = AMP

LOC		DIST		REVISIONS			
AD	25	REV	DATE	BY	APP'D	DATE	BY
0		RELEASED PER EC	0512-0082-05	27MAY05	JDP	AMS	

- 1 HOUSING MATERIAL: GLASS-FILLED POLYMER.
- 2 CONTACT MATERIAL: COPPER ALLOY.
- 3 CONTACT FINISH: DIN 41612 CLASS 2 IN CONTACT AREA. TIN PLATE ON POSTS.
- 4 PART NUMBER, DATE CODE IDENTIFICATION, CSA LOGO IN THIS APPROXIMATE AREA, ON REVERSE SIDE.
- 5 CONTACT POINT.
- 6 RECOMMENDED HOLE SIZE FOR MANUAL APPLICATION OF CONNECTOR ONTO PC BOARD.



1 THRU 32	X	X	X	96	535089-5
POSITIONS LOADED	C	B	A	NO. OF LOADED POSITIONS	ASSY PART NUMBER
	ROWS LOADED				

THIS DRAWING IS A CONTROLLED DOCUMENT.		DWG J. POLIGNONE 27MAY05	Tyco Electronics Corporation	
DIMENSIONS: mm [INCHES]		CHK A. SHARPE 27MAY05	Harrisburg, Pa 17105-3608	
TOLERANCES UNLESS OTHERWISE SPECIFIED:		APP'D A. SHARPE 27MAY05	ASSEMBLY, RECEPTACLE, EUROCARD, TYPE C, LEAD-FREE, 96 POSITION, 2.49 [.089] SOLDER POSTS	
0 PLC ± -	1 PLC ± -	PRODUCT SPEC	SIZE	CAGE CODE
2 PLC ± -	3 PLC ± 0.13 [.005]	APPLICATION SPEC	A1	00779
4 PLC ± -	ANGLES ± -	FINISH	SCALE	DRAWING NO
			4:1	5535089
MATERIAL	FINISH	WEIGHT	CUSTOMER DRAWING	RESTRICTED TO
			SCALE 4:1	SHEET 1 OF 1
				REV 0