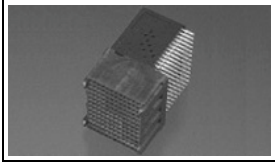


5120637-1 Product Details



5120637-1

TE Internal Number: 5120637-1



2mm Hard Metric PCB Mount Connectors (Z-PACK 2mm HM)

 Always EU RoHS/ELV Compliant (Statement of Compliance)

Product Highlights:

- Connector
- Connector Assembly
- Connector Style = Receptacle
- Type = Type B, 12 Column
- Interface Type = 2mm HM

Documentation & Additional Information

Product Drawings:

- [RECEPTACLE ASSEMBLY, 144 POSITION, 12 ROW, Z-PACK HM](#) (PDF, English)

Catalog Pages/Data Sheets:

- None Available

Product Specifications:

- None Available

Application Specifications:

- [Z-PACK 12-Row Backplane Connectors](#) (PDF, English)

Instruction Sheets:

- None Available

CAD Files: (CAD Format & Compression Information)

- [2D Drawing](#) (DXF, Version 0)
- [3D Model](#) (IGES, Version 0)
- [3D Model](#) (STEP, Version 0)

Additional Information:

- [Product Line Information](#)

Related Products:

- [Tooling](#)
- [Mating Products \(2\)](#)

Product Features (Please use the Product Drawing for all design activity)

Product Type Features:

- Product Type = Connector
- Connector Type = Connector Assembly
- [PCB Mounting Orientation](#) = Right Angle

Mechanical Attachment:

- [Board Mount](#) = Fixed Board
- Front Mating Level = Level 1

Electrical Characteristics:

- [Shielded](#) = No

Termination Features:

- [Interface Type](#) = 2mm HM
- Termination End Plating = Tin over Nickel

Dimensions:

- Module Length (mm [in]) = 23.90 [0.942]

Body Features:

- Type = Type B, 12 Column

Contact Features:

- [Contact Configuration](#) = Signal
- [Feedthrough Post Length \(mm \[in\]\)](#) = 3.70 [0.145]
- [CompactPCI](#) = No
- [Contact Plating, Mating Area, Material](#) = Performance-Based
- [Grounding Contact](#) = Without
- Contact Style = Short Tail
- Contact Mating Area Length (mm [in]) = 3.33 [0.131]
- Contact Base Material = Phosphor Bronze

Housing Features:

- Connector Style = Receptacle
- [Mating Alignment](#) = Without
- Housing Color = Gray
- Housing Material = Polyester GF
- UL Flammability Rating = UL 94V-0

Configuration Features:

- [Number of Rows](#) = 12
- [Number of Positions](#) = 144
- [Crosstalk Version](#) = Standard
- Rows Loaded = Fully Loaded

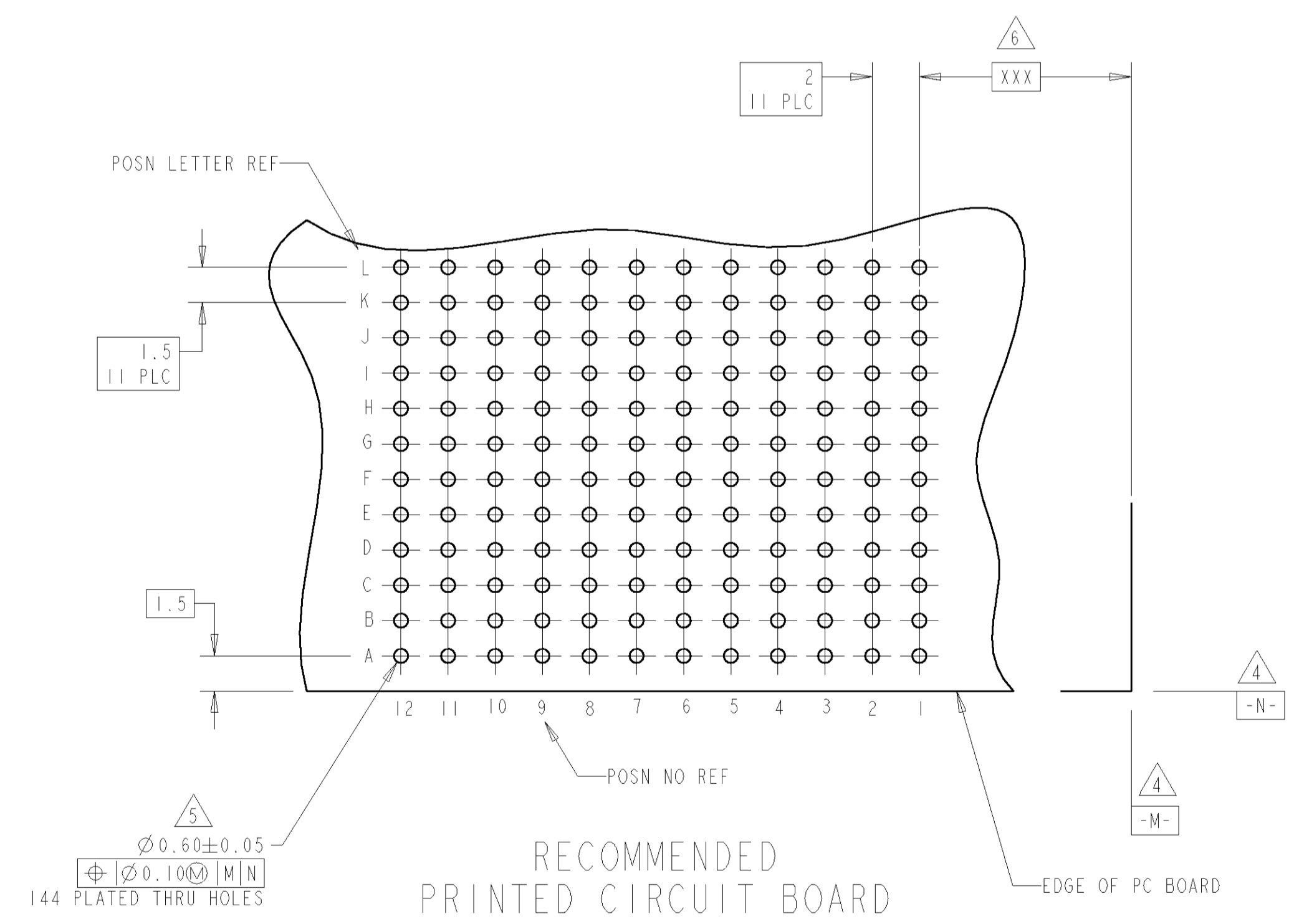
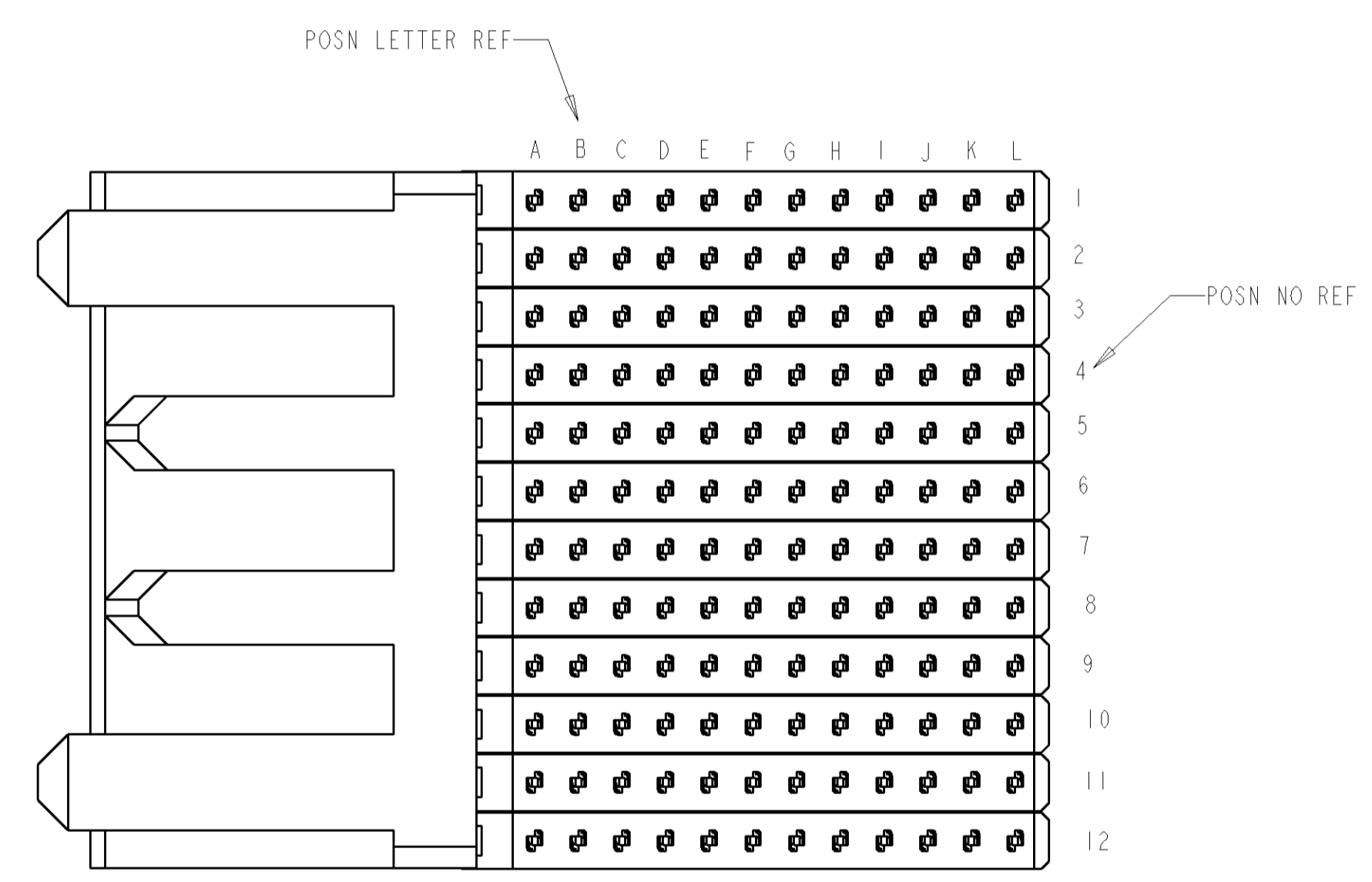
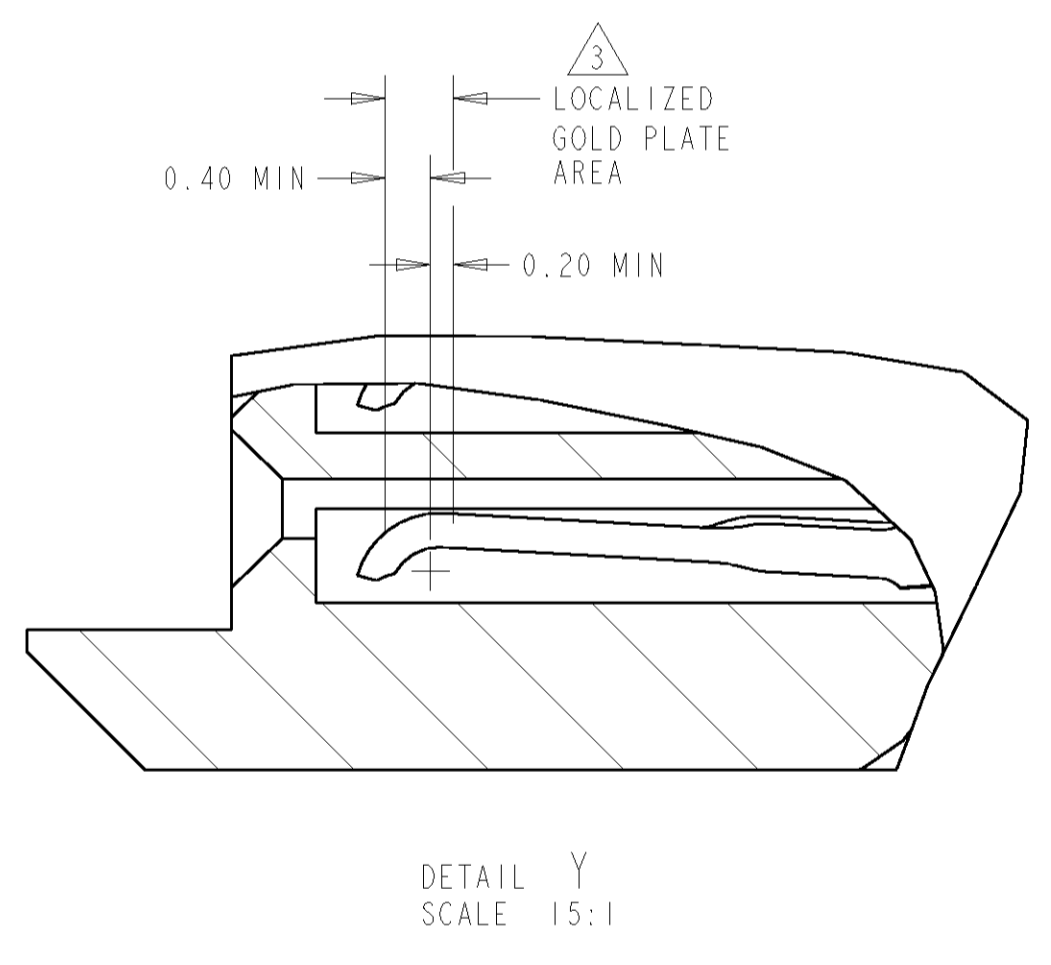
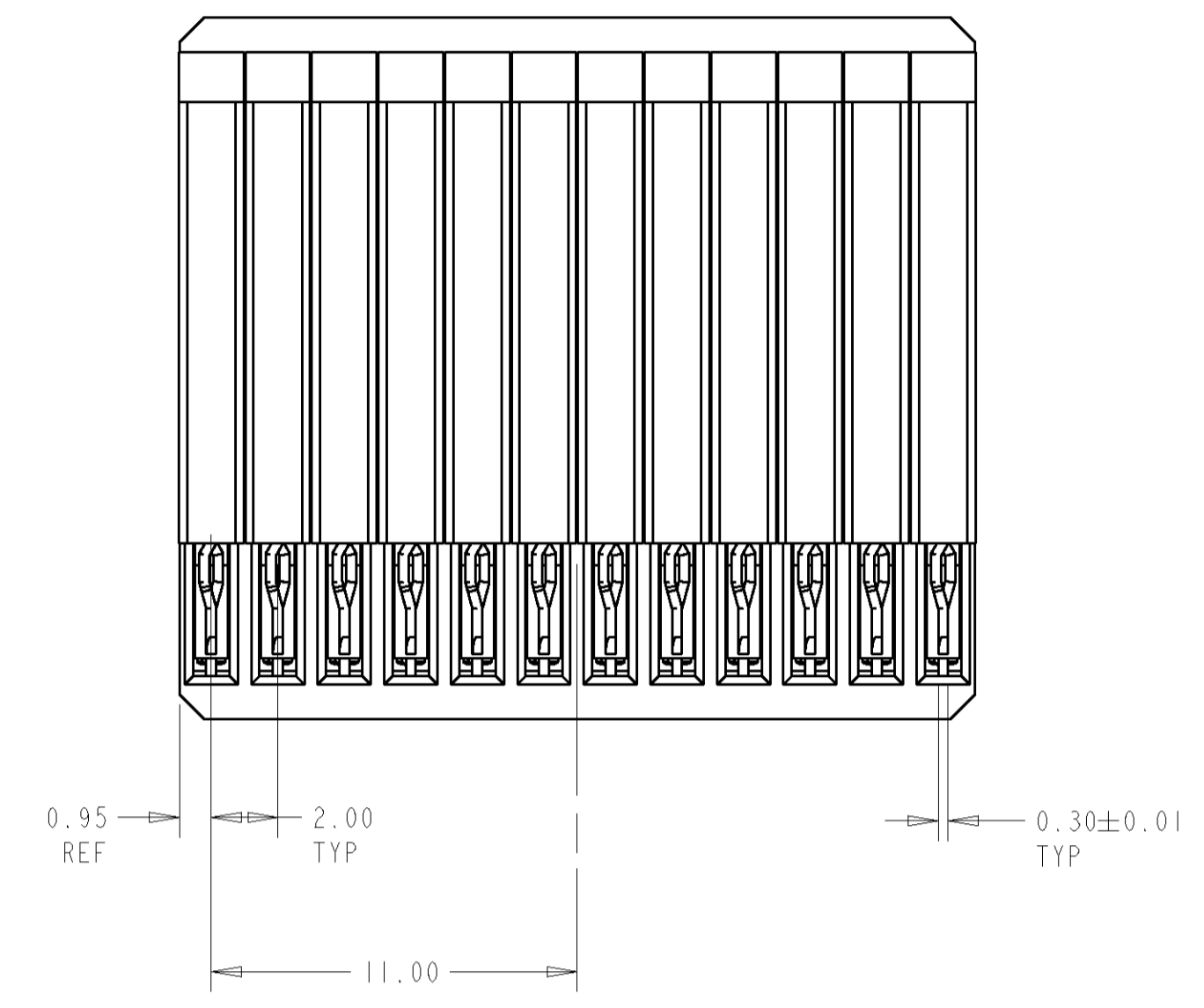
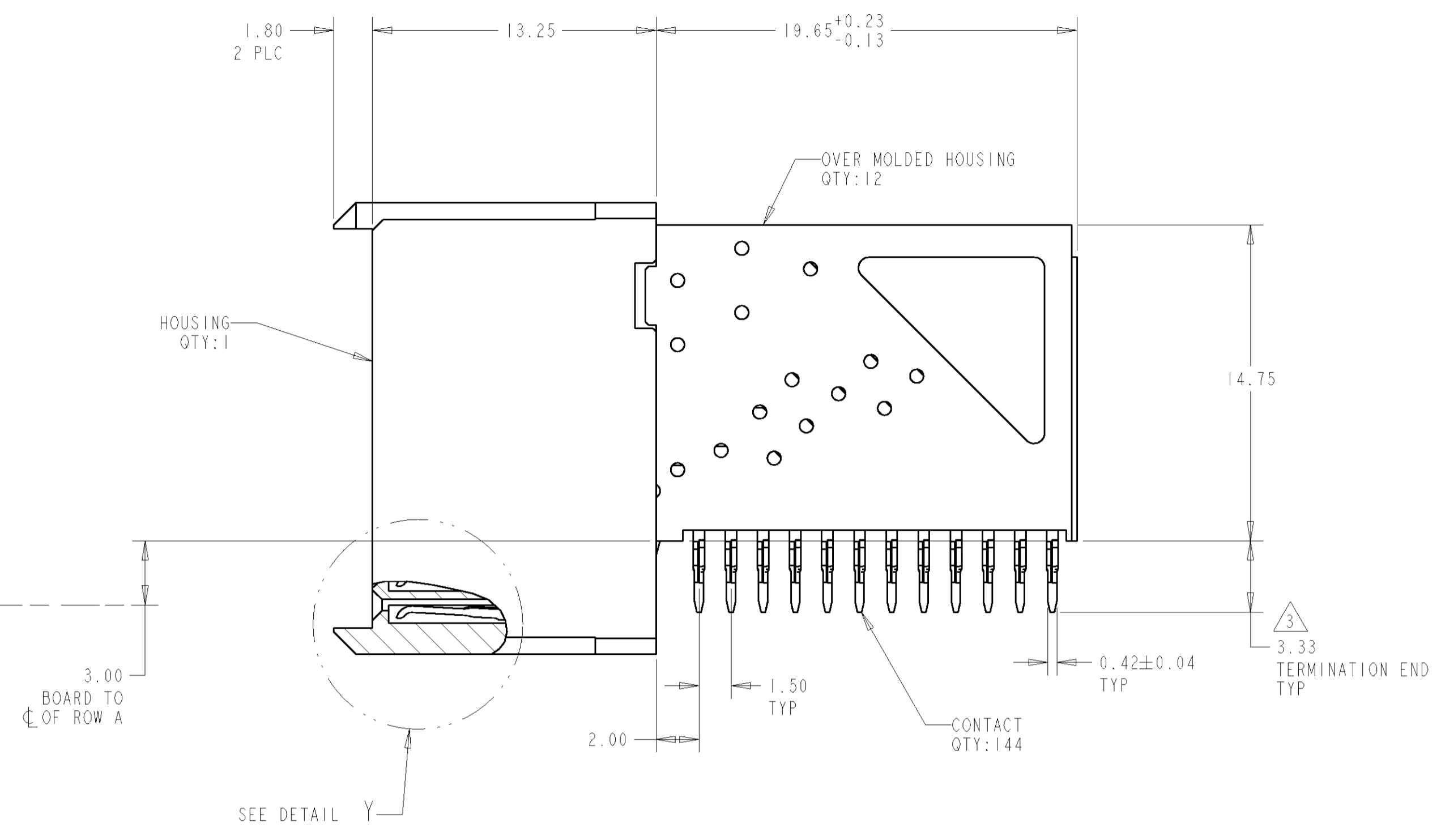
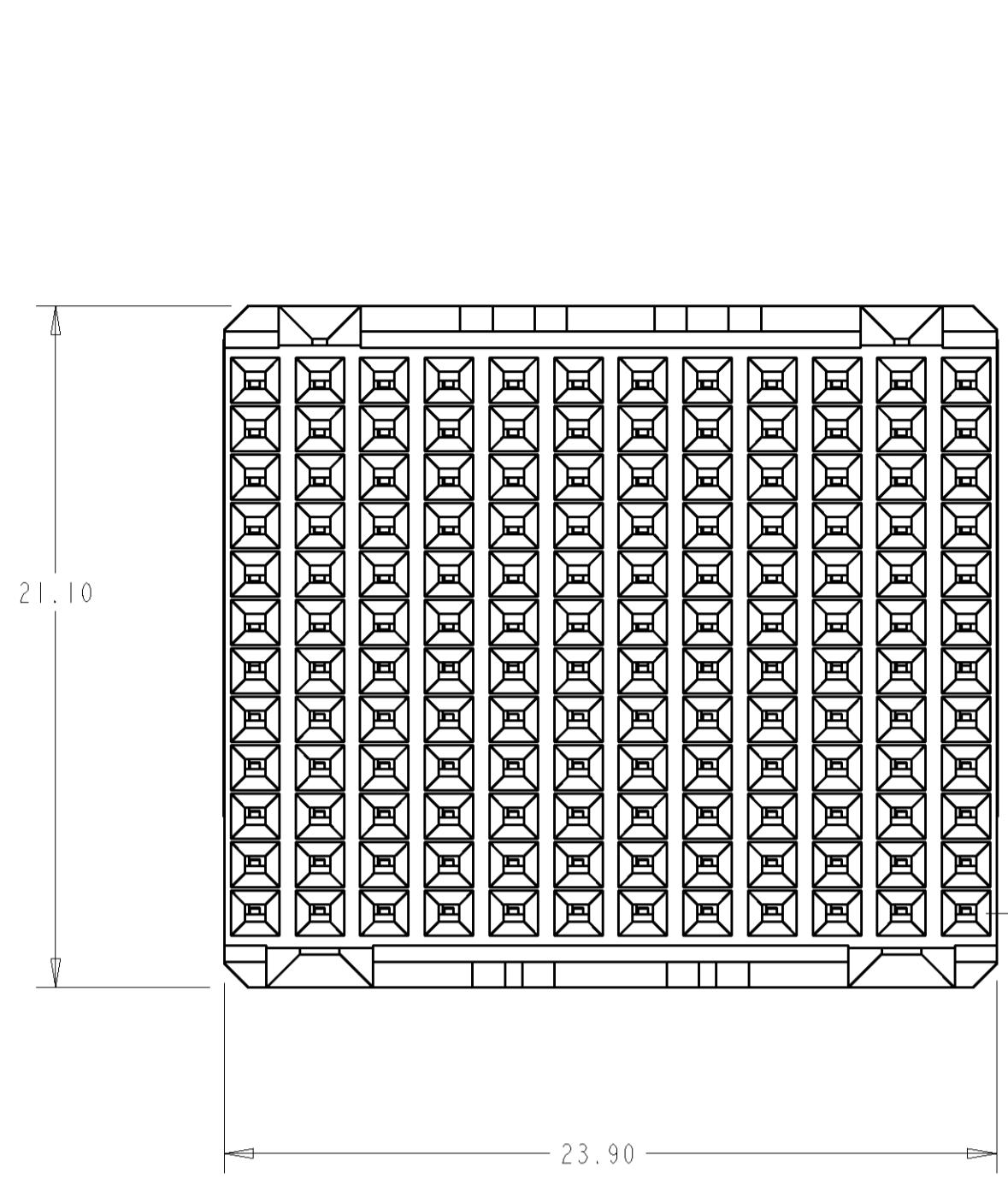
Industry Standards:

- [RoHS/ELV Compliance](#) = RoHS compliant, ELV compliant
- [Lead Free Solder Processes](#) = Not relevant for lead free process
- RoHS/ELV Compliance History = Always was RoHS compliant

Other:

- Brand = AMP

LOC		DIST		REVISIONS			
AD	00	P	LTR	DESCRIPTION	DATE	DWN	APVD
		0		REV PER EC 0512-0319-04	01JUN2005	BC	GS
		A		REV PER EC 0512-0302-05	13DEC2005	BC	GS



- 1 GLASS FILLED POLYESTER, BLACK
- 2 PHOSPHOR BRONZE
- 3 CONFORMS TO ALL TESTING ACCORDING TO IEC 61076-4-101 PERFORMANCE LEVEL 2.
- 4 DATUMS ESTABLISHED BY CUSTOMER.
- 5 DRILLED HOLE DIAMETER 0.700 ± 0.025
COPPER THK 0.025-0.05
TIN THICKNESS 0.004-0.01
- 6 DIMENSION ESTABLISHED BY CUSTOMER.
- 7 GENERAL PLATING SPECIFICATION: UNDERPLATING (ENTIRE CONTACT): 1.27µm MIN NICKEL AND ACTION PIN: 0.5µm MIN TIN.
FOR PLATING OF MATING SURFACES SEE APPLICABLE SPECIFICATION REFERENCE FOR EACH DASH NUMBER.

DIMENSIONS:		TOLERANCES UNLESS OTHERWISE SPECIFIED:		DWN: B CARBO 01JUN2005		ELECTRONICS		Tyco Electronics Harrisburg, PA 17105-3608	
mm	0 PLC ±	1 PLC ±	2 PLC ±	3 PLC ±0.13	4 PLC ±	5 PLC ±	6 SKIPPER 01JUN2005	NAME: RECEPTACLE ASSEMBLY, 144 POSITION, 12 ROW, Z-PACK HM	
MATERIAL HOUSING: 1		FINISH CONTACTS: 2		WEIGHT		SIZE: CAGE CODE: DRAWING NO: A1 00779 C=5120637		RESTRICTED TO: -	
CONTACTS: 2		CONTACTS: 3		CUSTOMER DRAWING		SCALE: 5:1		SHEET 1 OF 1 REV A	