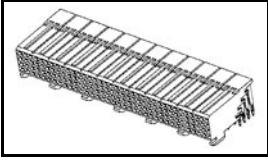


5536507-1 Product Details

[Share](#) [Print](#) [Email](#)



5536507-1

TE Internal Number: 5536507-1

Active

[View 3D PDF](#)

2mm Centerline Futurebus+ Connectors

Always EU RoHS/ELV Compliant
(Statement of Compliance)

Product Highlights:

- Module Type = Signal
- 24 Signal Positions
- Connector
- Connector Assembly
- Free-Board Application

[View all Features](#)

Quick Links

- ▶ [Pricing & Availability](#)
- ▶ [Search for Tooling](#)
- ▶ [View Mating Products \(9\)](#)
- ▶ [Product Feature Selector](#)
- ▶ [Contact Us About This Product](#)

[Add to My Part List](#)

[Request Sample](#)

[Find Similar Products](#)

[Buy Product](#)

Documentation & Additional Information

Product Drawings:

- [RECEPTACLE ASSEMBLY, SIGNAL MODULE, Z-PACK, 2mm FB, ... \(PDF, English\)](#)

Catalog Pages/Data Sheets:

- None Available

Product Specifications:

- [Connector, Z-PACK*, 2 mm FB, Signal and Power \(PDF, English\)](#)

Application Specifications:

- [Z-PACK 2 mm FB \(Futurebus+\) Receptacle and Pin Heade... \(PDF, English\)](#)

Instruction Sheets:

- None Available

CAD Files: (CAD Format & Compression Information)

- [2D Drawing \(DXF, Version 0\)](#)
- [3D Model \(IGES, Version 0\)](#)
- [3D Model \(STEP, Version 0\)](#)

[List all Documents](#)

Additional Information:

- [Product Line Information](#)

Additional Product Images:

- [Line Drawing](#)

Related Products:

- [Tooling](#)
- [Mating Products \(9\)](#)

Product Features (Please use the Product Drawing for all design activity)

Product Type Features:

- [Module Type](#) = Signal
- [Product Type](#) = Connector
- [Connector Type](#) = Connector Assembly
- [PCB Mounting Orientation](#) = Right Angle
- [Post Type](#) = Solder Post

Electrical Characteristics:

- [Voltage Rating \(VAC\)](#) = 30

Termination Features:

- [Termination Post Length \(mm \[in\]\)](#) = 2.73 [0.107]

Body Features:

- [Sequencing](#) = No
- [Post Plating](#) = Tin

Housing Features:

- [Connector Style](#) = Receptacle
- [Centerline, Matrix \(mm \[in\]\)](#) = 2.00 x 2.00 [.079 x .079]
- [Housing Material](#) = Liquid Crystal Polymer (LCP)

Configuration Features:

- [Number of Signal Positions](#) = 24
- [Number of Rows](#) = 4

Industry Standards:

- [RoHS/ELV Compliance](#) = RoHS compliant, ELV compliant
- [Lead Free Solder Processes](#) = Wave solder capable to 260°C, Wave solder capable to 240°C, Wave solder capable to 265°C, Reflow solder capable to 245°C, Reflow solder capable to 260°C, Pin-in-Paste

Contact Features:

- Contact Type = Socket
- Contact Base Material = Phosphor Bronze
- Contact Plating, Mating Area, Material = Gold (30)

capable to 245°C, Pin-in-Paste capable to 260°C

- RoHS/ELV Compliance History = Always was RoHS compliant

Conditions for Usage:

- Applies To = Printed Circuit Board

Operation/Application:

- Application = Free-Board

Other:

- Brand = AMP

Corporate Information

[About TE](#)
[Investors](#)
[News Room](#)
[Supplier Portal](#)
[Careers](#)
[Terms & Conditions](#)
[Privacy Policy](#)
[AODA Accessibility Policy](#)
[AODA Multi-Year Accessibility Plan](#)

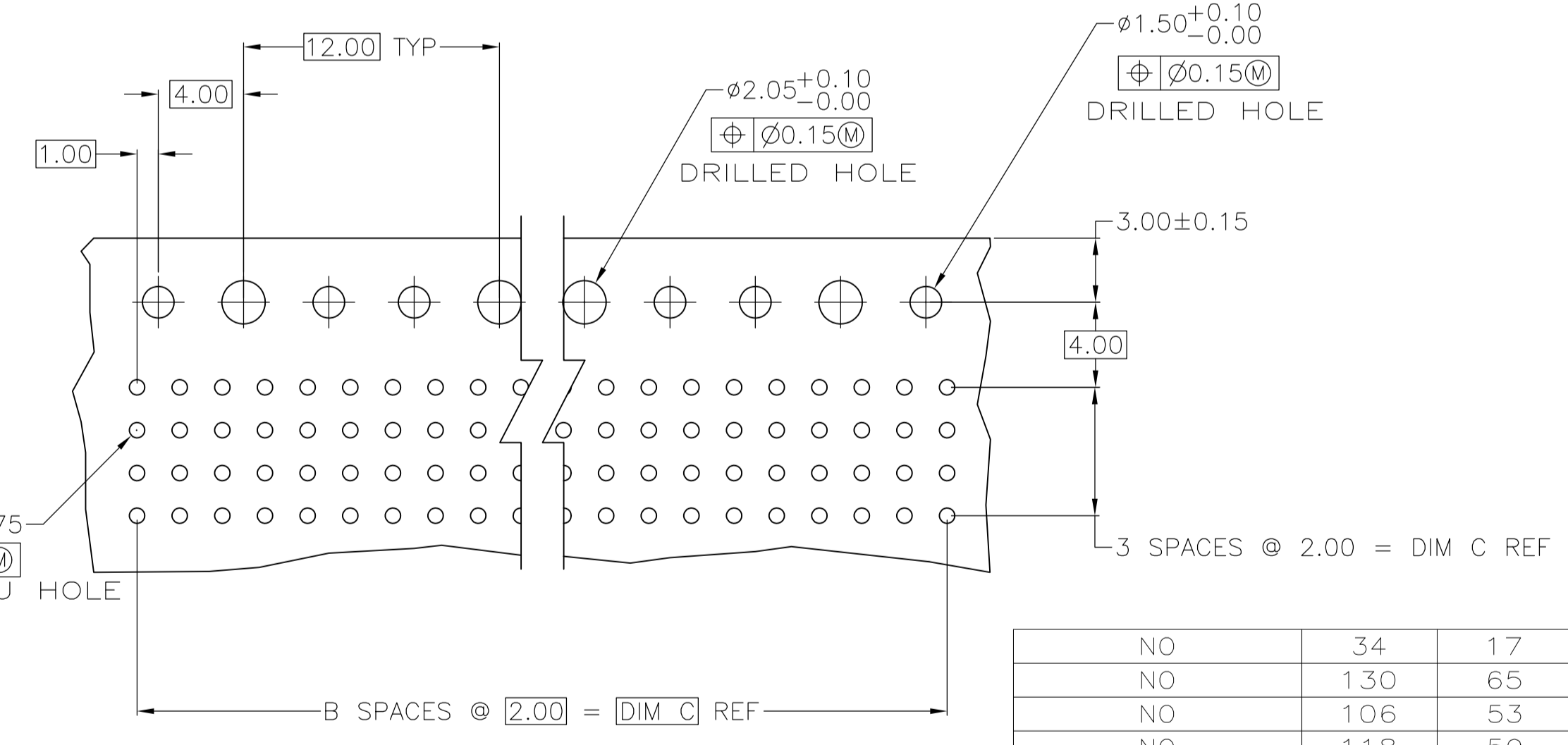
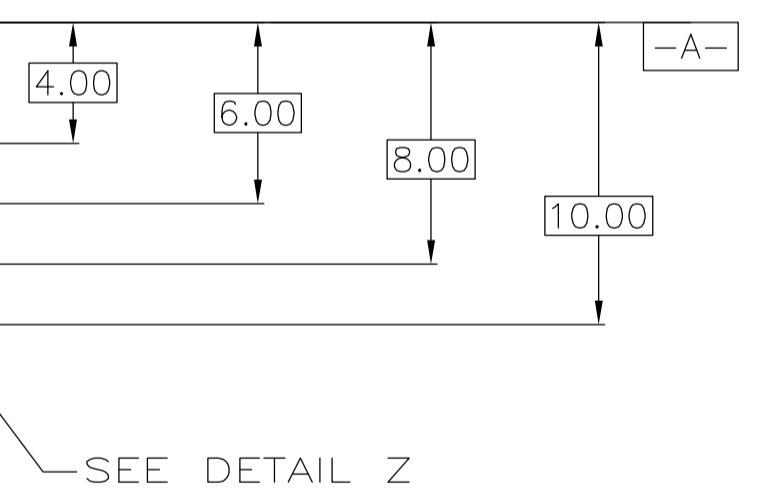
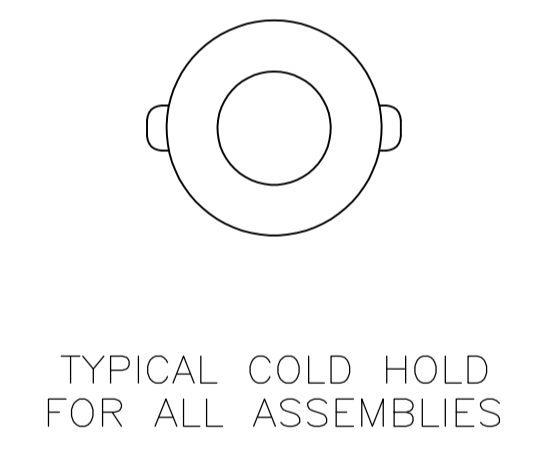
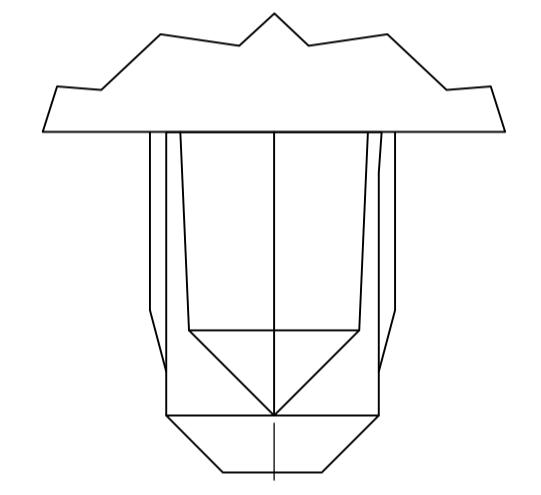
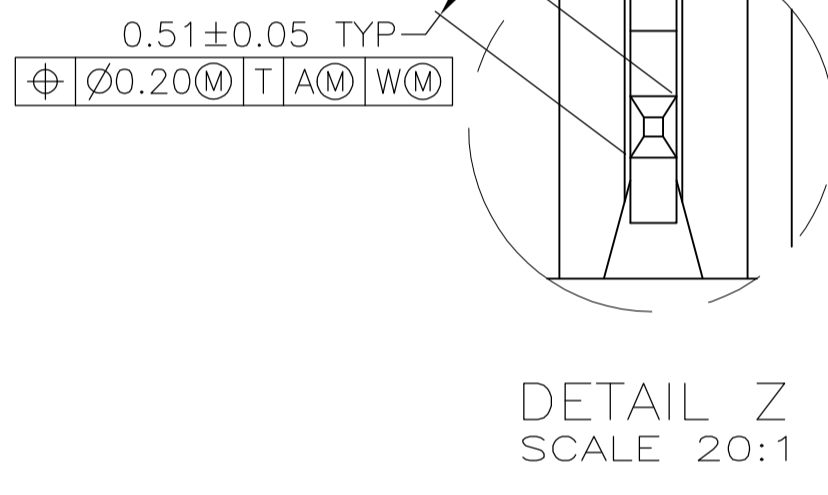
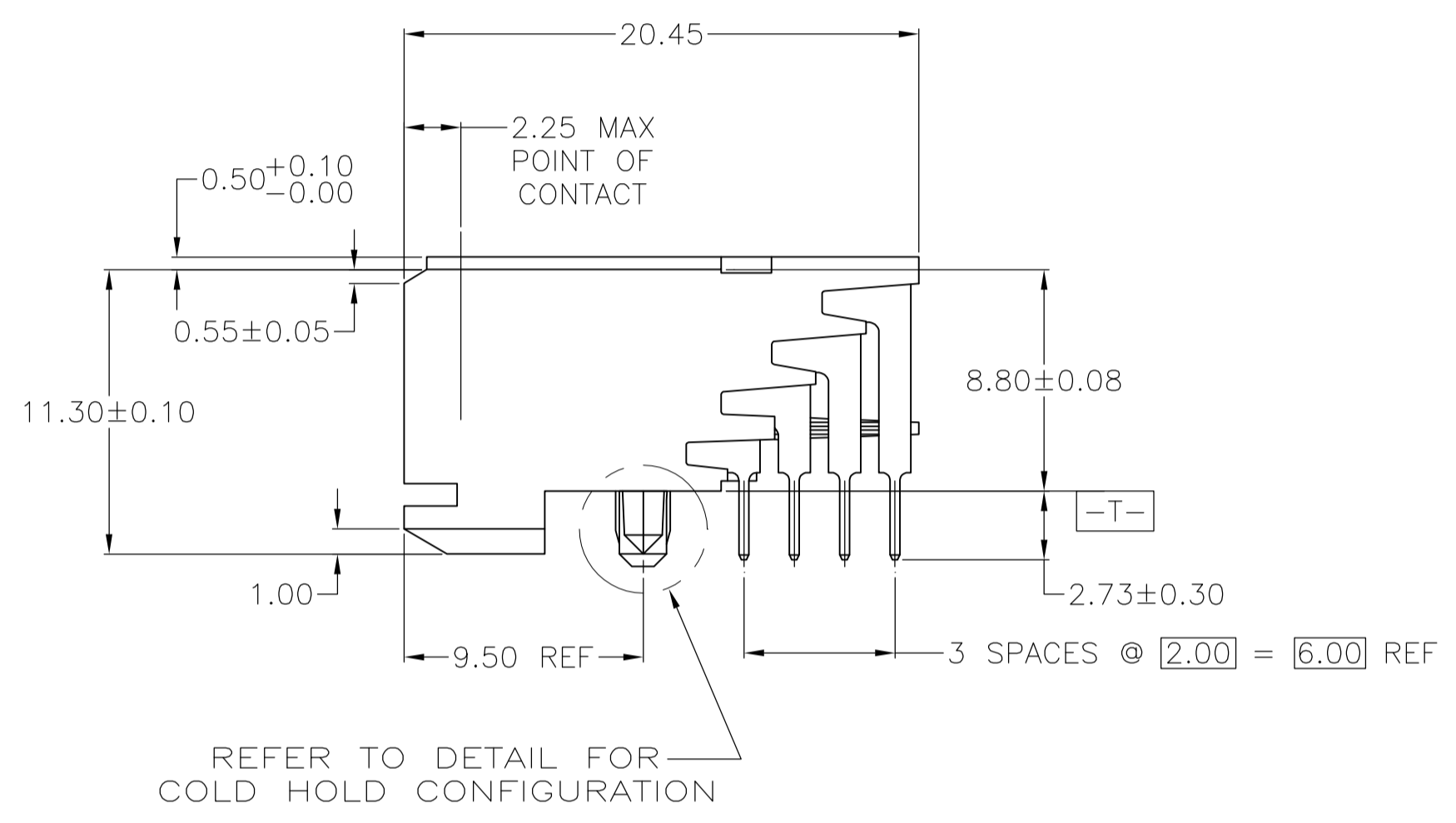
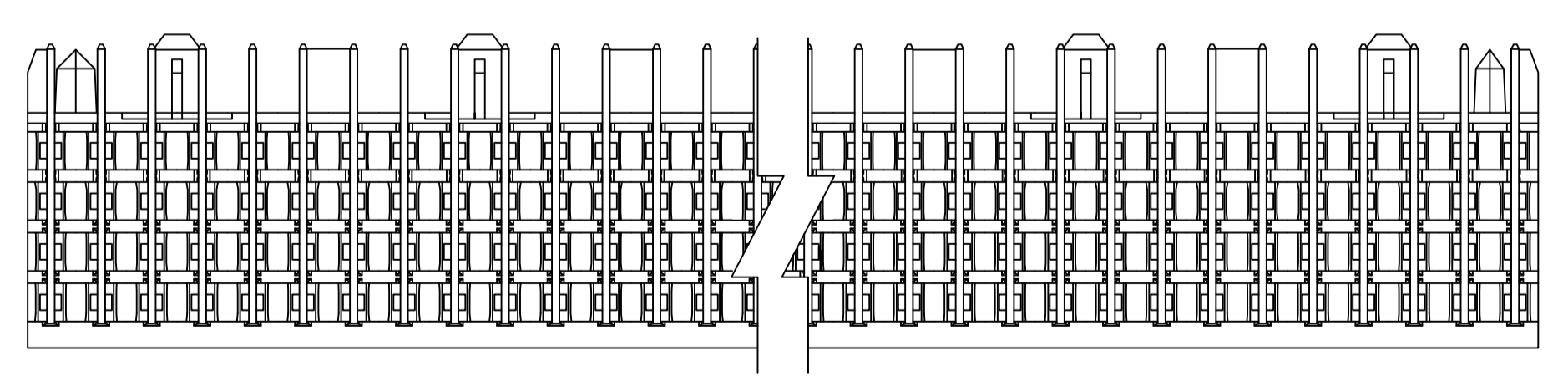
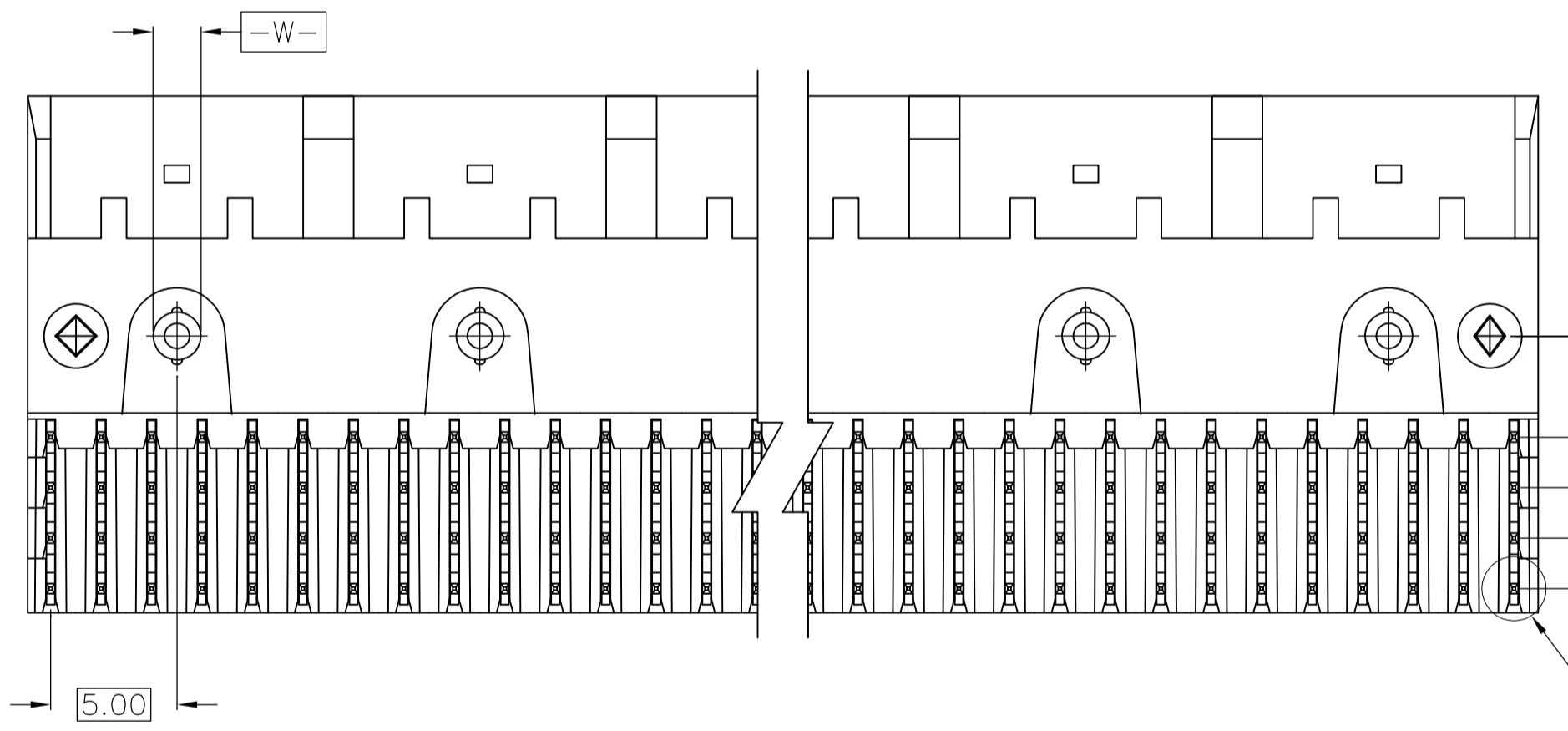
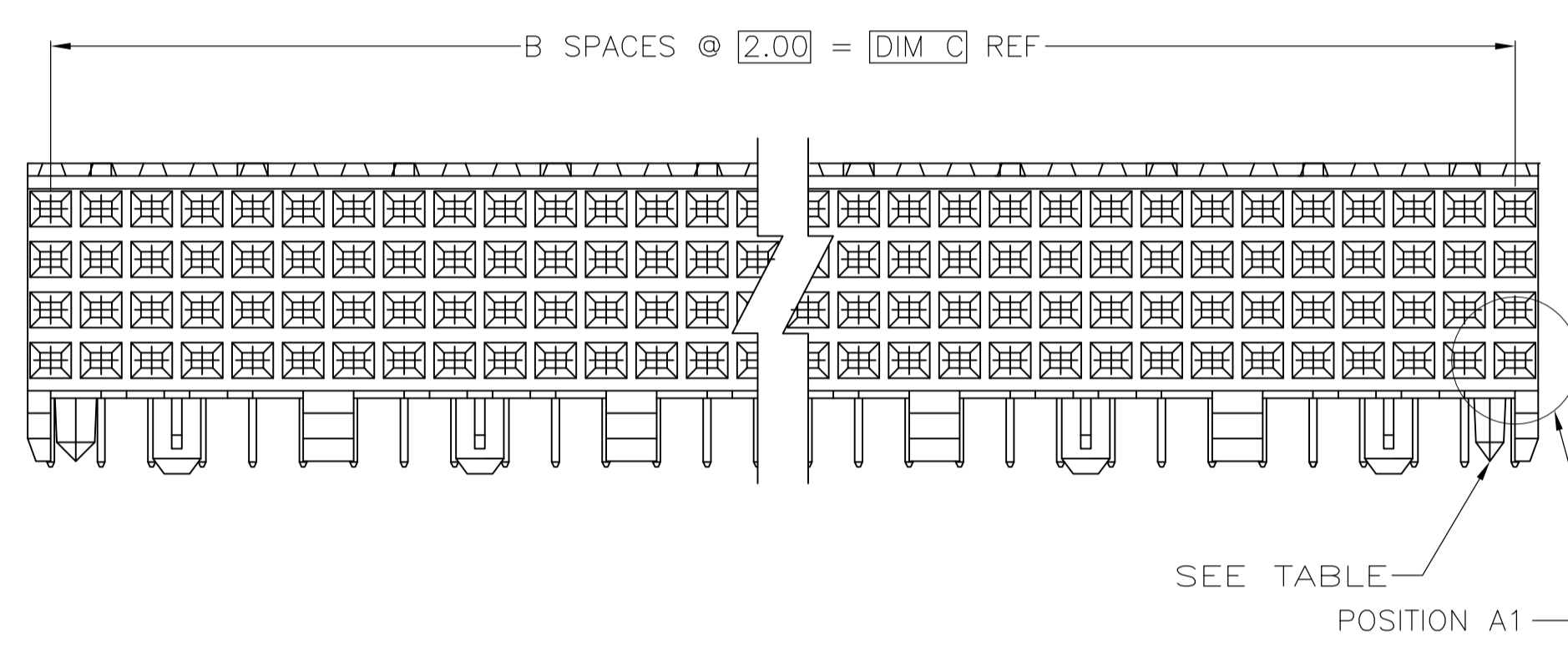
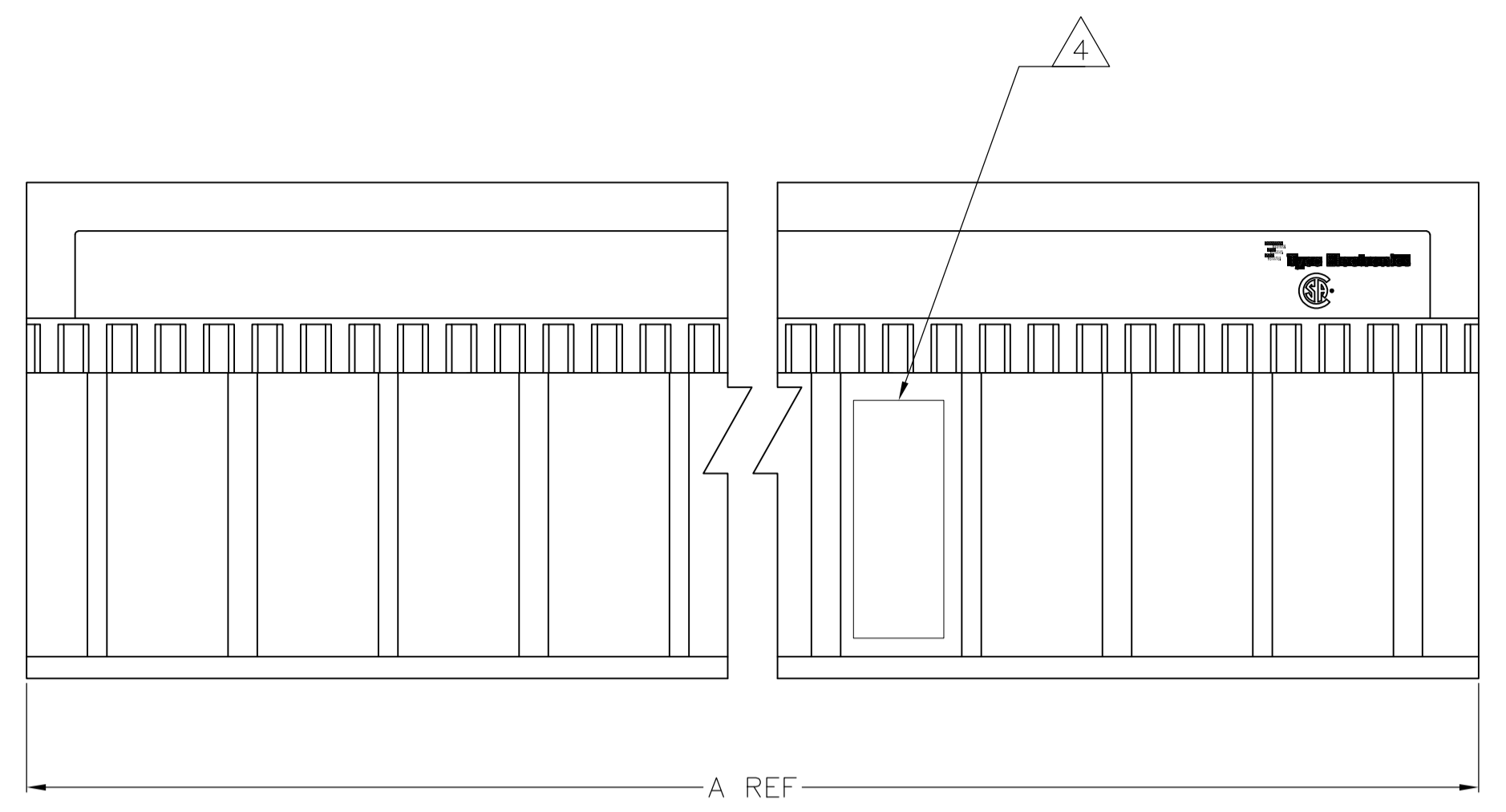
Quick Links

[Distributor Inventory](#)
[Product Cross Reference](#)
[Documents & Drawings](#)
[Product Compliance Support Center](#)
[Site Map](#)

Customer Support

[Email or Chat With Us](#)
[Find a Phone Number](#)
[Knowledge Base](#)
[Manage Your Account](#)

Keep Me Informed



RECOMMENDED CIRCUIT PATTERN
PER IPC-D300 TYPE II, CLASS C
(COMPONENT SIDE)

NO	34	17	35.88	3	72	1-5536507-1
NO	130	65	131.88	3	264	1-5536507-6
NO	106	53	107.88	3	216	5536507-9
NO	118	59	119.88	3	240	5536507-8
NO	70	35	71.88	3	144	5536507-7
NO	58	29	59.88	3	120	5536507-6
NO	82	41	83.88	3	168	5536507-5
NO	94	47	95.88	3	192	5536507-4
NO	46	23	47.88	3	96	5536507-3
NO	22	11	23.88	3	48	5536507-2
YES	10	5	11.88	3	24	5536507-1
POSITIONING PEGS	C	B	A	FINISH	NO OF POSN	PART NUMBER

- 1 HOUSING MATERIAL: LIQUID CRYSTAL POLYMER
COLOR: NATURAL.
- 2 CONTACT MATERIAL: PHOSPHOR-BRONZE.
- 3 CONTACT FINISH:
UNDERPLATE (ENTIRE CONTACT) -
0.00127 MIN NICKEL PER SAE-AMS-QQ-N-290.
ON MATING SURFACES -
CONFORMS TO ALL TESTING SPECIFIED FOR TELCORDIA
UNCONTROLLED ENVIRONMENT
ON LEADS -
0.00381 MIN TIN PER ASTM B 545, OVER UNDERPLATE
LUBRICATION (MIN MATING SURFACES)
SURFACE CONDITIONER PER AMP SPEC. 112-1002 AFTER PLATING.
- 4 PART MARKING, LOCATED APPROXIMATELY AS SHOWN.
- 5 OBSOLETE PARTS: OBSOLETE CIS STREAMLINING PER D.RENAUD/D.SINISI

THIS DRAWING IS A CONTROLLED DOCUMENT.

DIN B MCMASTER 30AUG04
CIRK R WERTZ 30AUG04
APVD R WERTZ 30AUG04
PRODUCT SPEC

STE TE Connectivity

NAME: RECEPTACLE ASSEMBLY, SIGNAL MODULE, Z-PACK, 2mm FB, 4 ROW, 2.73mm LEAD LENGTH

APPLICATION SPEC

SIZE: A1 CAGE CODE: 00779 DRAWING NO: 5536507

RESTRICTED TO

WEIGHT: -

CUSTOMER DRAWING SCALE: 4:1 SHEET: 1 OF 1 REV: P