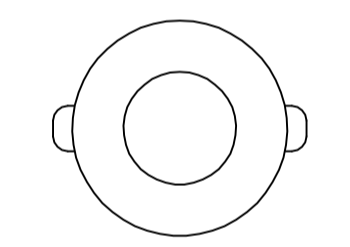
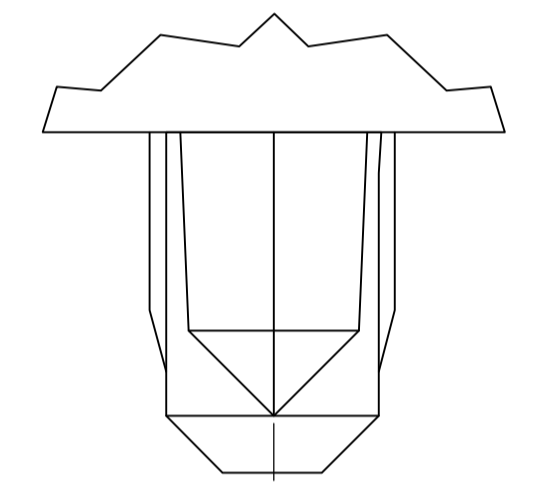
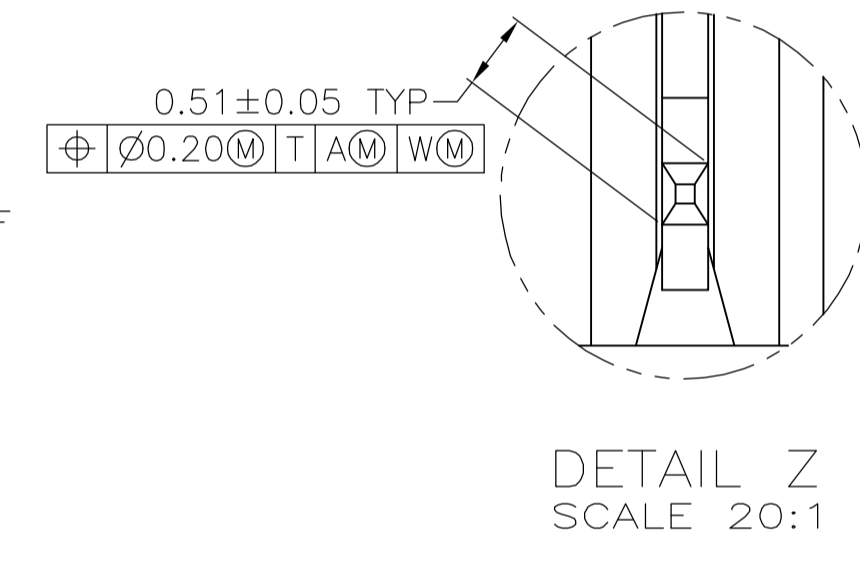
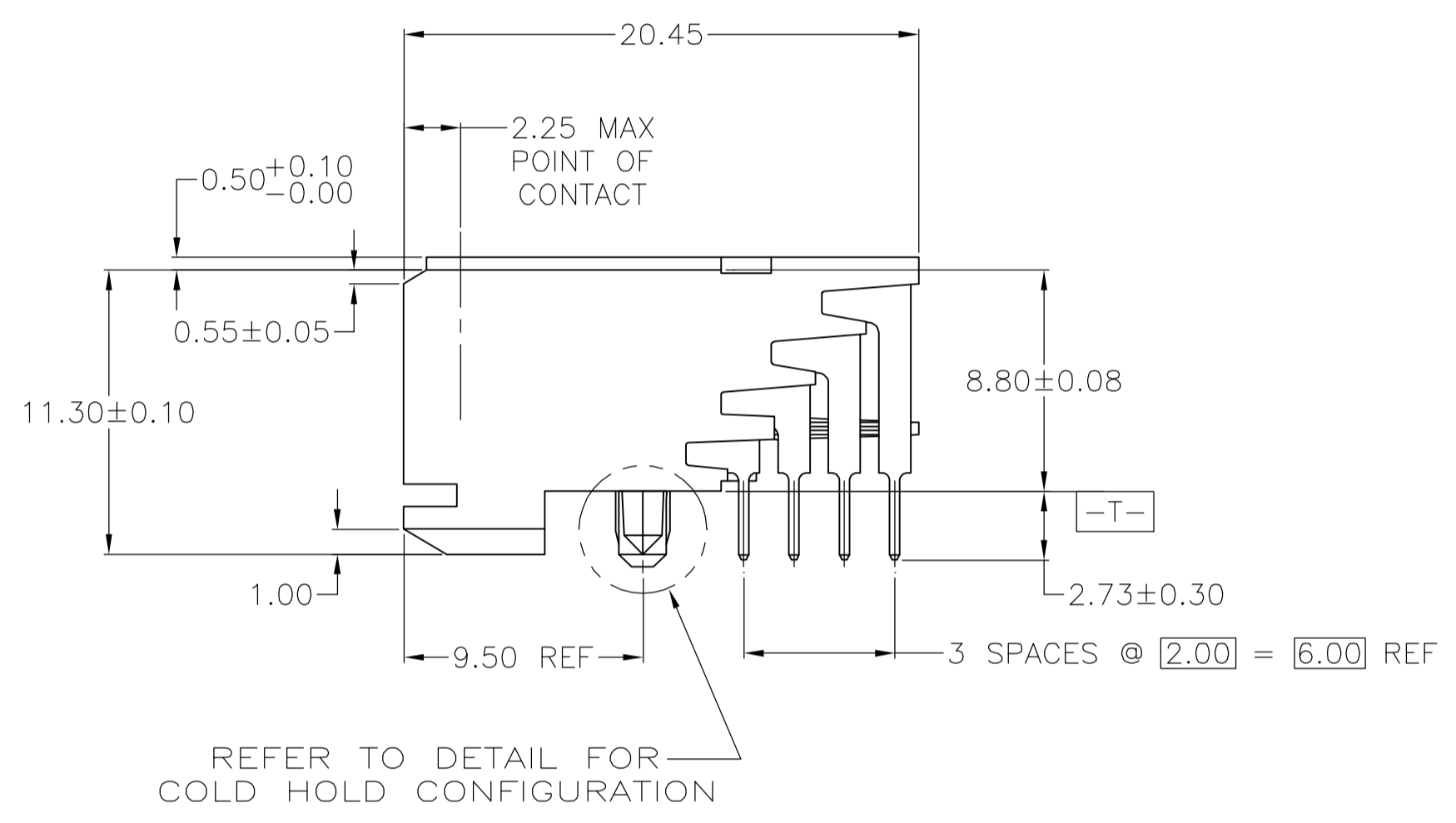
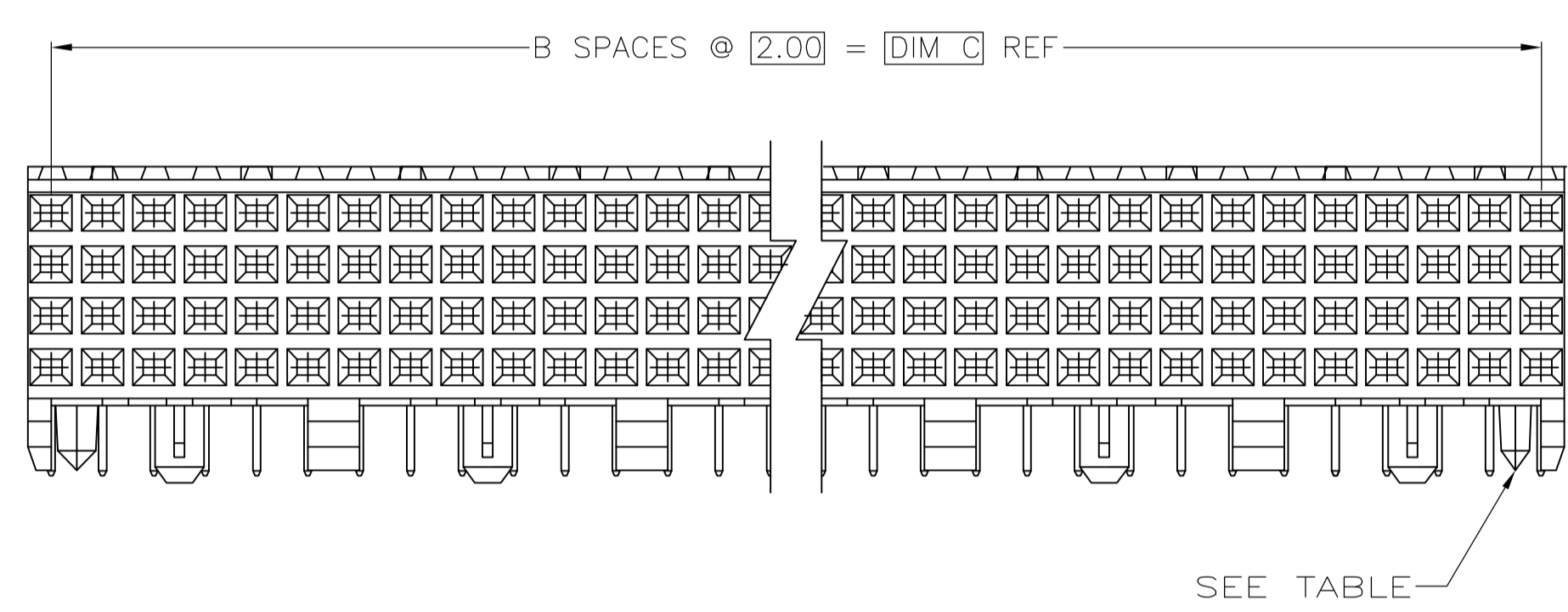
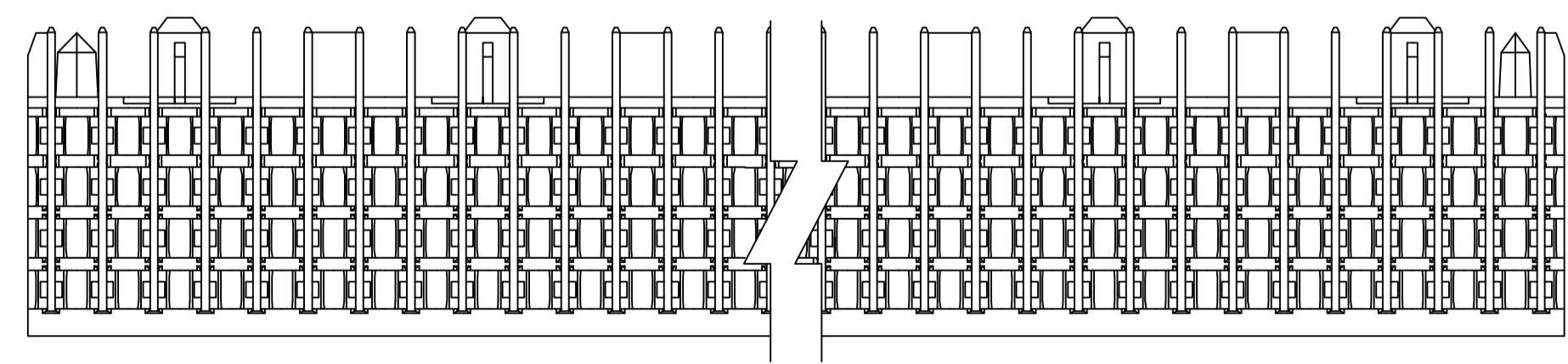
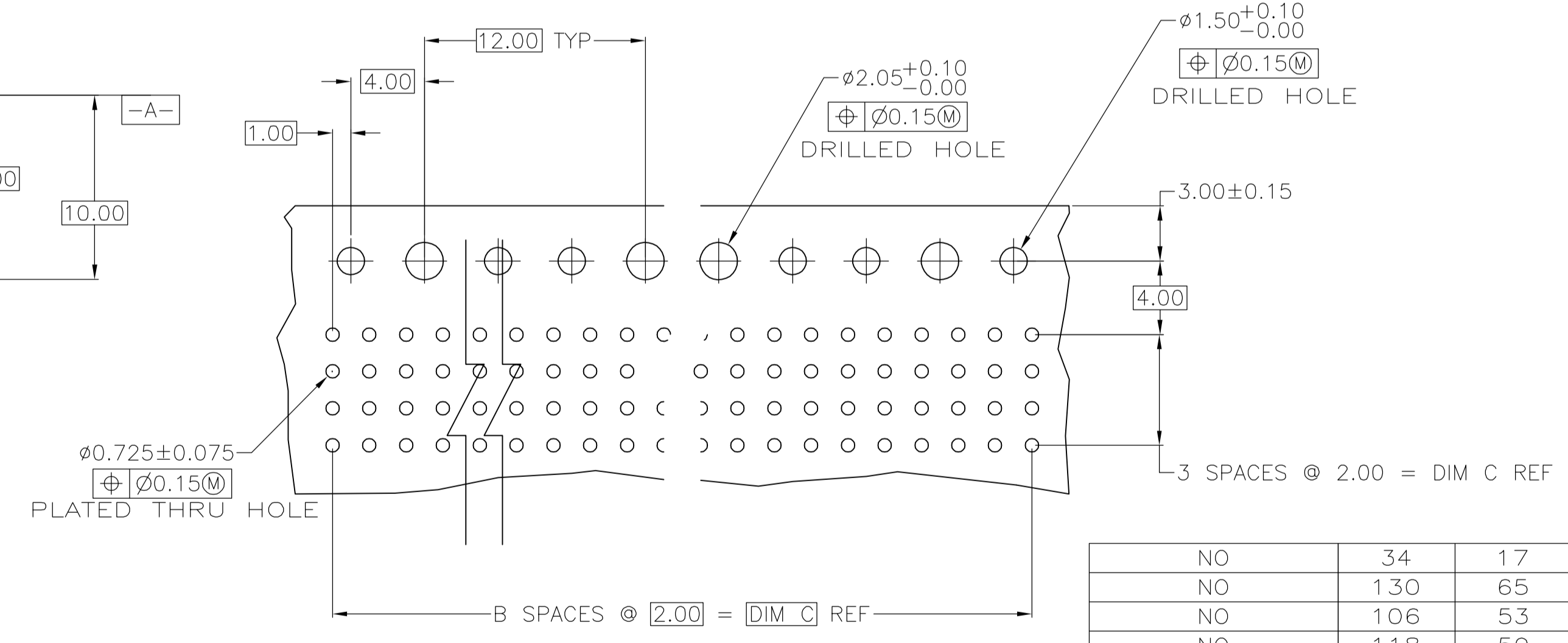
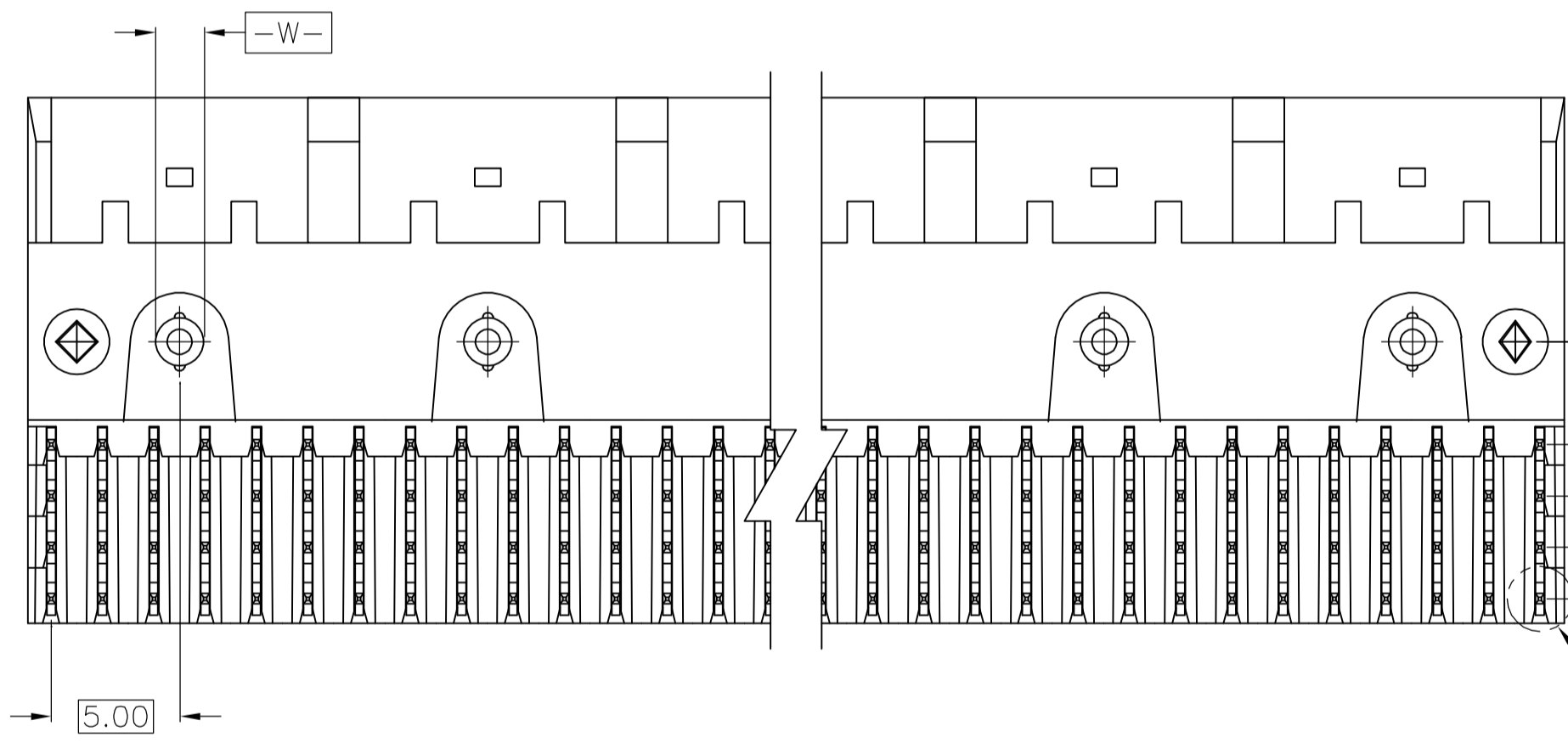


- ① HOUSING MATERIAL: LIQUID CRYSTAL POLYMER
COLOR: NATURAL.
- ② CONTACT MATERIAL: PHOSPHOR-BRONZE.
- ③ CONTACT FINISH:
UNDERPLATE (ENTIRE CONTACT) -
0.00127 MIN NICKEL PER SAE-AMS-QQ-N-290.
ON MATING SURFACES -
CONFORMS TO ALL TESTING SPECIFIED FOR TELCORDIA
UNCONTROLLED ENVIRONMENT
ON LEADS -
0.00381 MIN TIN PER ASTM B 545, OVER UNDERPLATE
LUBRICATION (MIN MATING SURFACES)
SURFACE CONDITIONER PER AMP SPEC. 112-1002 AFTER PLATING.
- ④ PART MARKING, LOCATED APPROXIMATELY AS SHOWN.



TYPICAL COLD HOLD FOR ALL ASSEMBLIES



NO	34	17	35.88	③	72	1-5536507-1
NO	130	65	131.88	③ ③	264	1-5536507-0
NO	106	53	107.88	③	216	5536507-9
NO	118	59	119.88	③ ③	240	5536507-8
NO	70	35	71.88	③	144	5536507-7
NO	58	29	59.88	③ ③	120	5536507-6
NO	82	41	83.88	③	168	5536507-5
NO	94	47	95.88	③ ③	192	5536507-4
NO	46	23	47.88	③	96	5536507-3
NO	22	11	23.88	③ ③	48	5536507-2
YES	10	5	11.88	③	24	5536507-1
POSITIONING PEGS	C	B	A	FINISH	NO OF POSN	PART NUMBER

RECOMMENDED CIRCUIT PATTERN PER IPC-D300 TYPE II, CLASS C (COMPONENT SIDE)

THIS DRAWING IS A CONTROLLED DOCUMENT. DIM B MCMASTER 30AUG04 Tyco Electronics Corporation
 CHK R WERTZ 30AUG04 Harrisburg, Pa 17105-3608
 APVD R WERTZ 30AUG04 NAME RECEPTACLE ASSEMBLY, SIGNAL MODULE, Z-PACK, 2mm FB, 4 ROW, 2.73mm LEAD LENGTH
 PRODUCT SPEC
 APPLICATION SPEC
 SIZE CAGE CODE DRAWING NO RESTRICTED TO
 WEIGHT A1 00779 C=5536507
 CUSTOMER DRAWING SCALE 4:1 SHEET 1 OF 1 REV 0