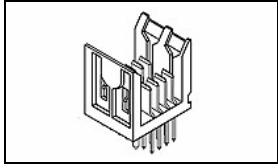


5536600-1 Product Details



5536600-1

TE Internal Number: 5536600-1



Active

2mm Centerline Futurebus+ Connectors

 Always EU RoHS/ELV Compliant (Statement of Compliance)

Product Highlights:

- Module Type = Power
- 8 Power Positions
- Connector
- Header
- Fixed-Board Application

Documentation & Additional Information

Product Drawings:

- [Z-PACK 2mm FB, POWER MODULE, PIN ASSEMBLY 2mm CL, 4 ...](#) (PDF, English)

Catalog Pages/Data Sheets:

- [POWER_CONNECTORS_CATALOG_SEC01_BOARD_TO_BOARD](#) (PDF, English)

Product Specifications:

- None Available

Application Specifications:

- None Available

Instruction Sheets:

- None Available

CAD Files: (CAD Format & Compression Information)

- [2D Drawing](#) (DXF, Version 0)
- [3D Model](#) (IGES, Version 0)
- [3D Model](#) (STEP, Version 0)

Additional Information:

- [Product Line Information](#)

Related Products:

- [Tooling](#)

Product Features (Please use the Product Drawing for all design activity)

Product Type Features:

- [Module Type](#) = Power
- [Product Type](#) = Connector
- [Connector Type](#) = Header
- [PCB Mounting Orientation](#) = Vertical
- [Post Type](#) = Solder Post
- [Make First / Break Last](#) = No

Electrical Characteristics:

- [Voltage Rating \(VAC\)](#) = 30

Termination Features:

- [Termination Post Length \(mm \[in\]\)](#) = 4.25 [0.167]

Dimensions:

- [Mating Post Length \(mm \[in\]\)](#) = 6.50 [0.256]
- [Pin Header Width \(mm \[in\]\)](#) = 16.00 [0.622]

Body Features:

- [Sequencing](#) = No
- [Post Plating](#) = Tin

Contact Features:

- [Contact Type](#) = Pin
- [Contact Base Material](#) = Phosphor Bronze
- [Contact Plating, Mating Area, Material](#) = Gold (30)

Housing Features:

- [Connector Style](#) = Plug
- [Centerline, Matrix \(mm \[in\]\)](#) = 2.00 x 2.00 [.079 x .079]
- [Housing Material](#) = Liquid Crystal Polymer (LCP)

Configuration Features:

- [Number of Power Positions](#) = 8
- [Number of Rows](#) = 4

Industry Standards:

- [RoHS/ELV Compliance](#) = RoHS compliant, ELV compliant
- [Lead Free Solder Processes](#) = Wave solder capable to 240°C, Wave solder capable to 260°C, Wave solder capable to 265°C, Reflow solder capable to 245°C, Reflow solder capable to 260°C, Pin-in-Paste capable to 245°C, Pin-in-Paste capable to 260°C
- [RoHS/ELV Compliance History](#) = Always was RoHS compliant

Conditions for Usage:

- [Applies To](#) = Printed Circuit Board

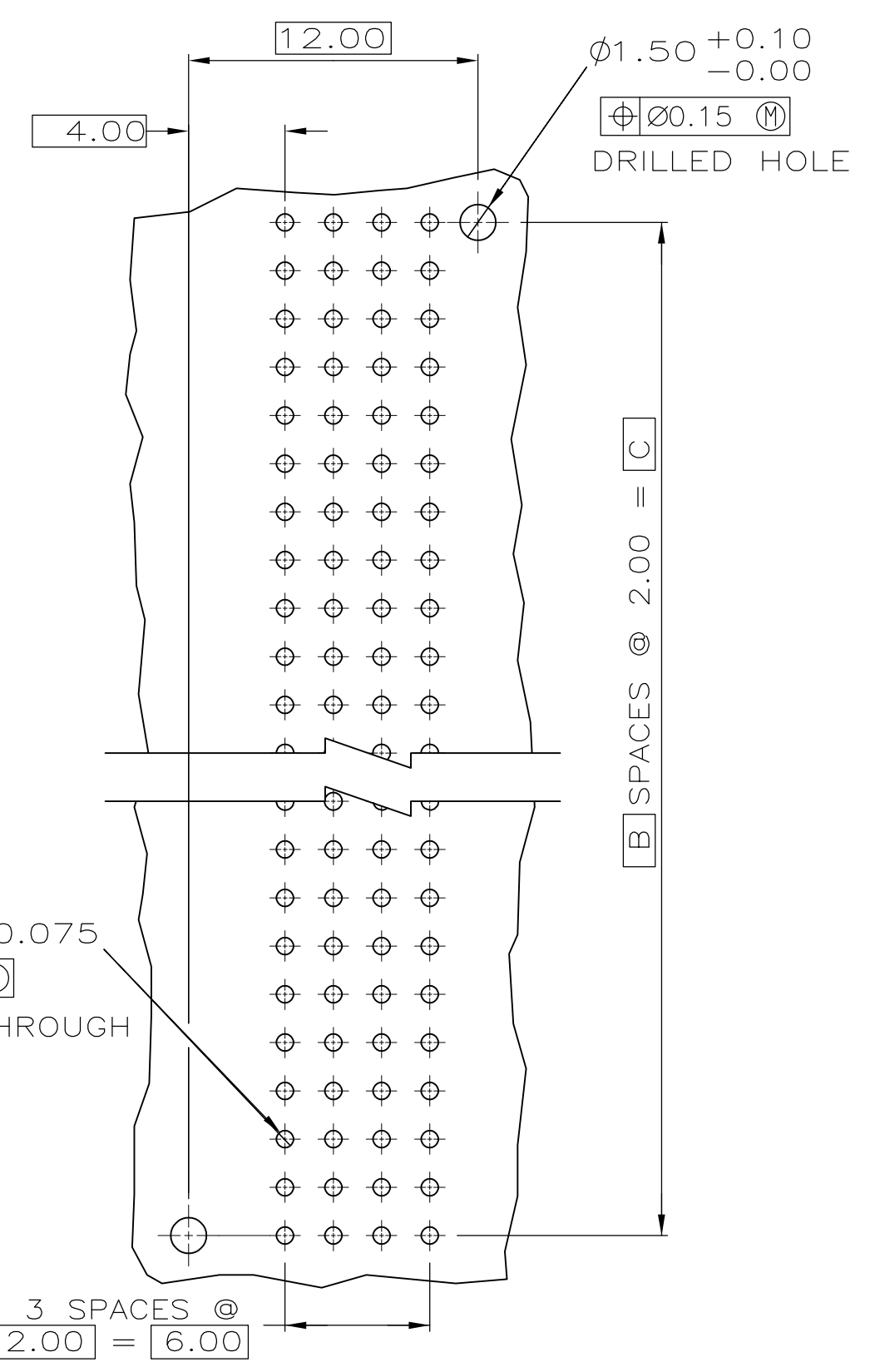
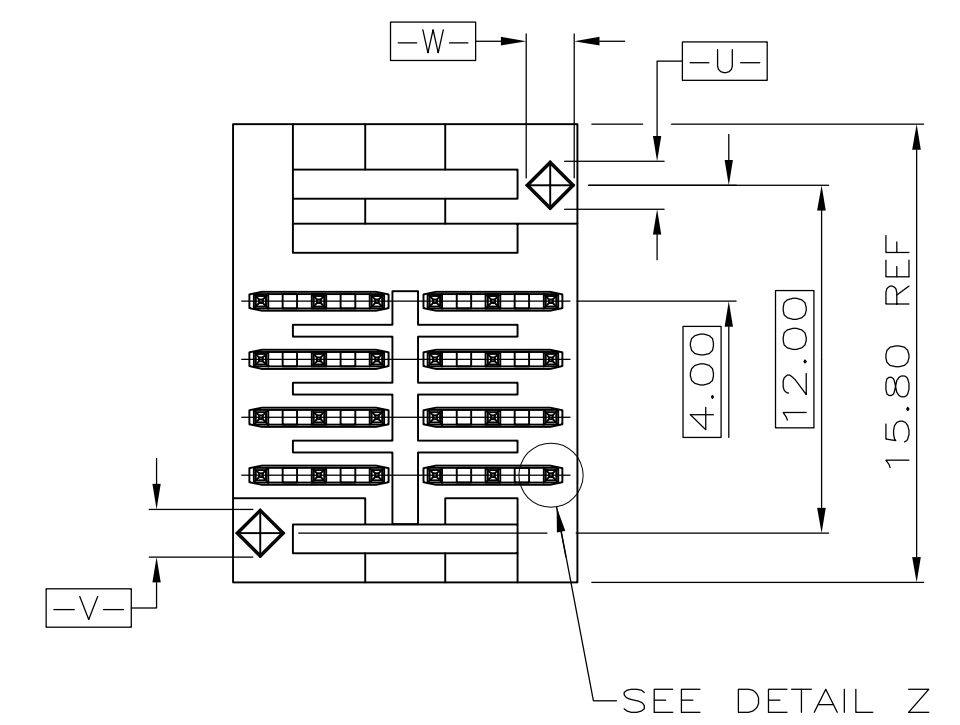
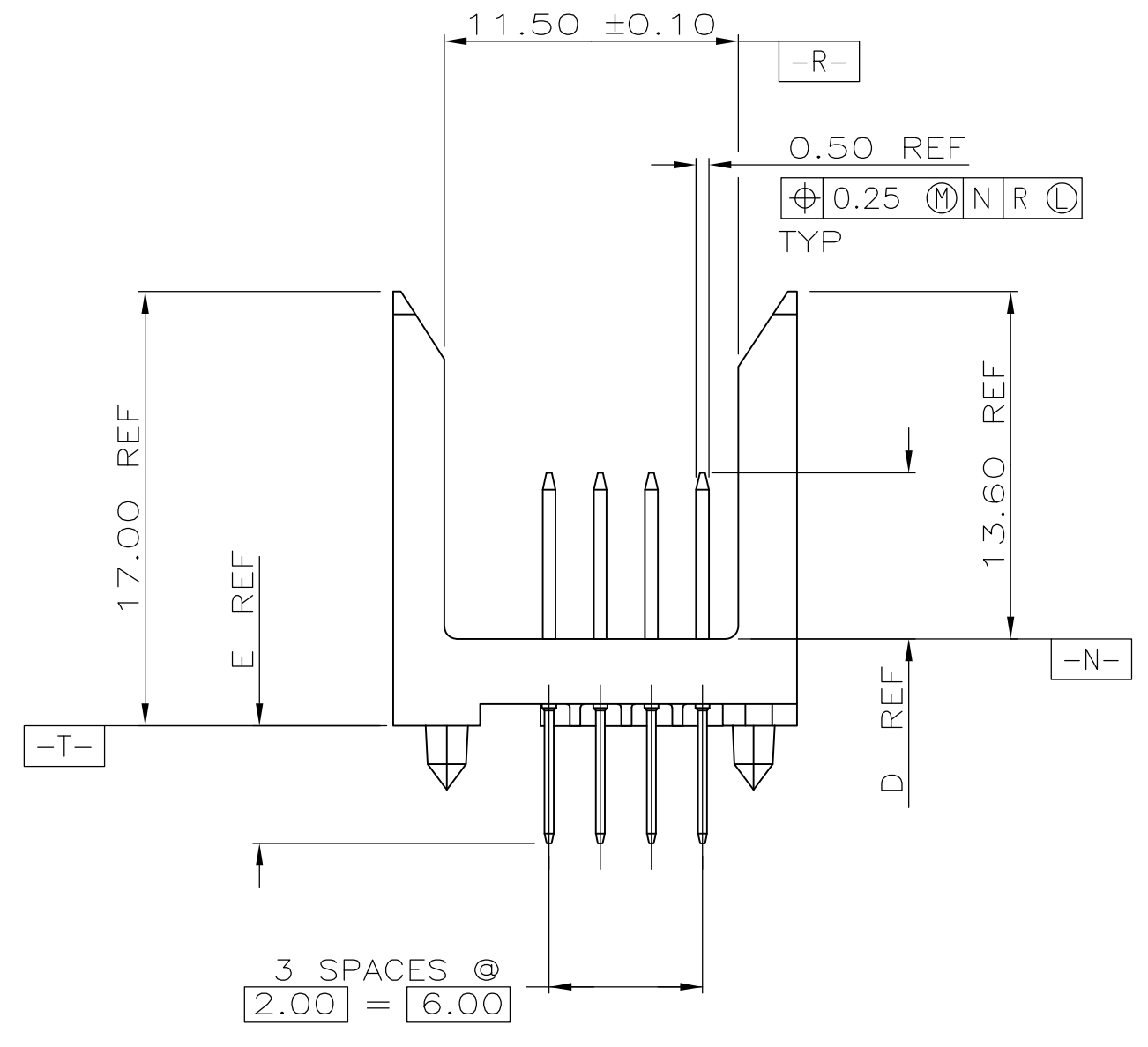
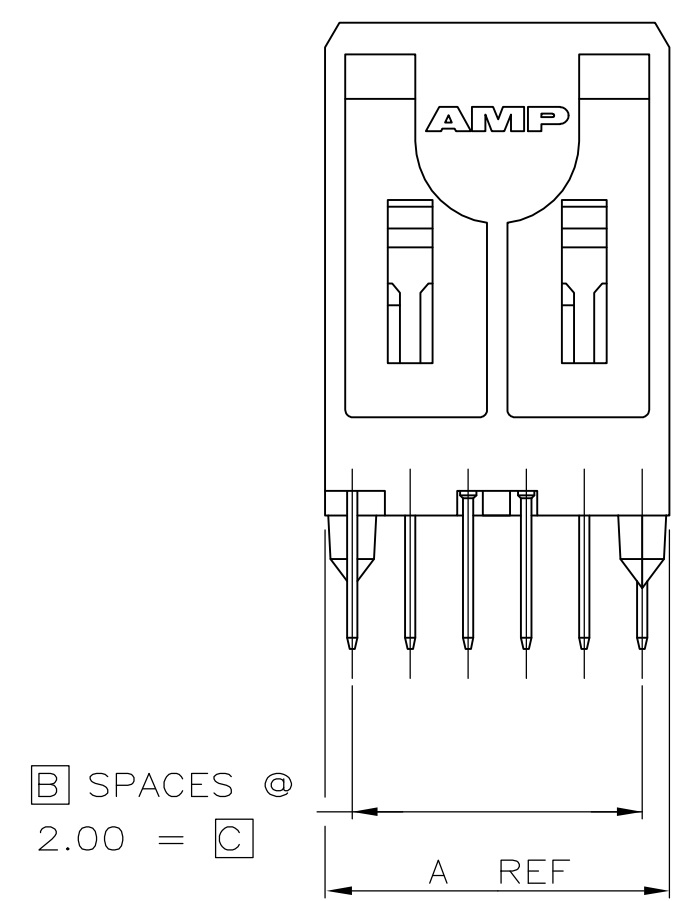
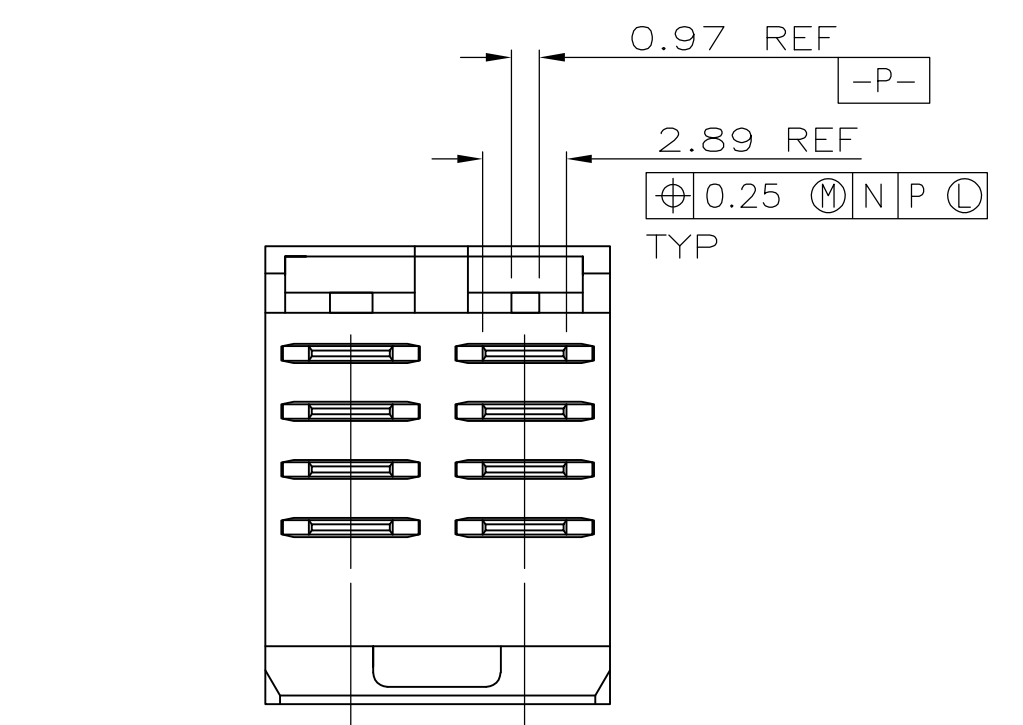
Operation/Application:

- [Application](#) = Fixed-Board

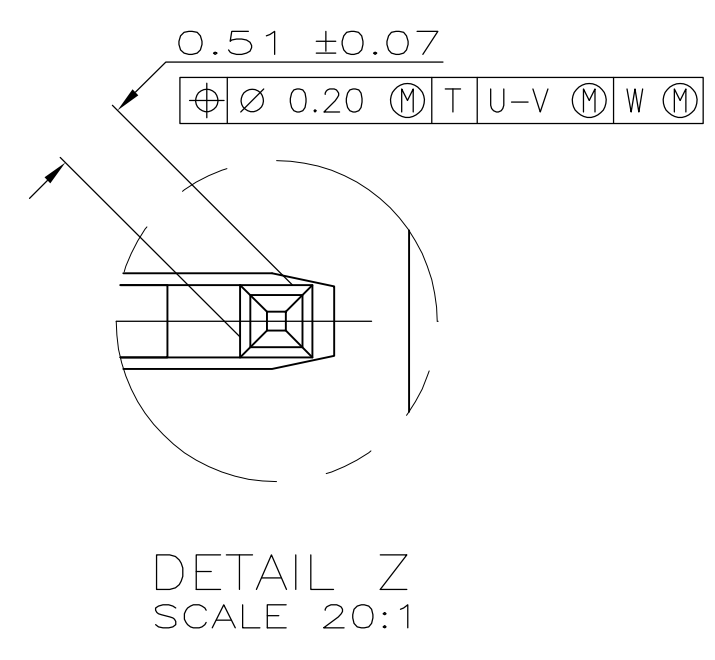
Other:

- [Brand](#) = AMP

LOC		DIST		REVISIONS			
AD	00	P	LTR	DESCRIPTION	DATE	OWN	APPD
		P		REVISED PER ECO-11-004835	11MAR11	RK	HMR



- 1 HOUSING MATERIAL: LIQUID CRYSTAL POLYMER PER ASTM D5138 LCPO00 G30A 32250.
- 2 CONTACT MATERIAL: PHOSPHOR BRONZE PER UNS ALLOY NO. C51100, TEMPER: H04.
- 3 CONTACT FINISH:(E)
 UNDERPLATE (ENTIRE CONTACT):
 0.00127 MIN NICKEL PER SAE-AMS-QQ-N-290
 ON MATING SURFACES:
 FLASH GOLD PER ASTM B 488, OVER
 0.00076 MIN PALLADIUM-NICKEL OVER UNDERPLATE, OR
 0.00076 MIN GOLD PER ASTM B 488 OVER UNDERPLATE.
 ON LEADS:
 0.00381 MIN MATTE TIN PER ASTM B 545 OVER UNDERPLATE.
 LUBRICATION (MIN MATING SURFACES):
 SURFACE CONDITIONER AFTER PLATING.
- 4 PART MARKING, LOCATED APPROXIMATELY AS SHOWN.



RECOMMENDED CIRCUIT PATTERN
PER IPC-D300 TYPE II, CLASS C
(COMPONENT SIDE)

6.00	1	4.25	6.50	10.00	5	11.83	3	8	5536600-1
G	F	E	D	C	B	A	FINISH	NO OF POSN	PART NUMBER

THIS DRAWING IS A CONTROLLED DOCUMENT.		OWN D.R.BENDER 08/11/92	CHK R.L.BENDORF 09/03/92	APVD -	NAME Z-PACK 2mm FB, POWER MODULE, PIN ASSEMBLY 2mm CL, 4 ROW, TABLED MATING & LEAD LENGTHS															
DIMENSIONS: mm		TOLERANCES UNLESS OTHERWISE SPECIFIED:		PRODUCT SPEC -	APPLICATION SPEC -															
<table border="1"> <tr><td>0 PL</td><td>±</td><td>-</td></tr> <tr><td>2 PL</td><td>±</td><td>-</td></tr> <tr><td>3 PL</td><td>±</td><td>0.13</td></tr> <tr><td>4 PL</td><td>±</td><td>-</td></tr> <tr><td>ANGLES</td><td>±</td><td>-</td></tr> </table>		0 PL	±	-	2 PL	±	-	3 PL	±	0.13	4 PL	±	-	ANGLES	±	-	MATERIAL 1 2 3		FINISH 3	RESTRICTED TO -
0 PL	±	-																		
2 PL	±	-																		
3 PL	±	0.13																		
4 PL	±	-																		
ANGLES	±	-																		
MATERIAL		FINISH		WEIGHT -	SCALE 4:1															
CUSTOMER DRAWING		SIZE A1		CAGE CODE 00779	DRAWING NO 5536600															
SHEET 1		OF 1		REV P																