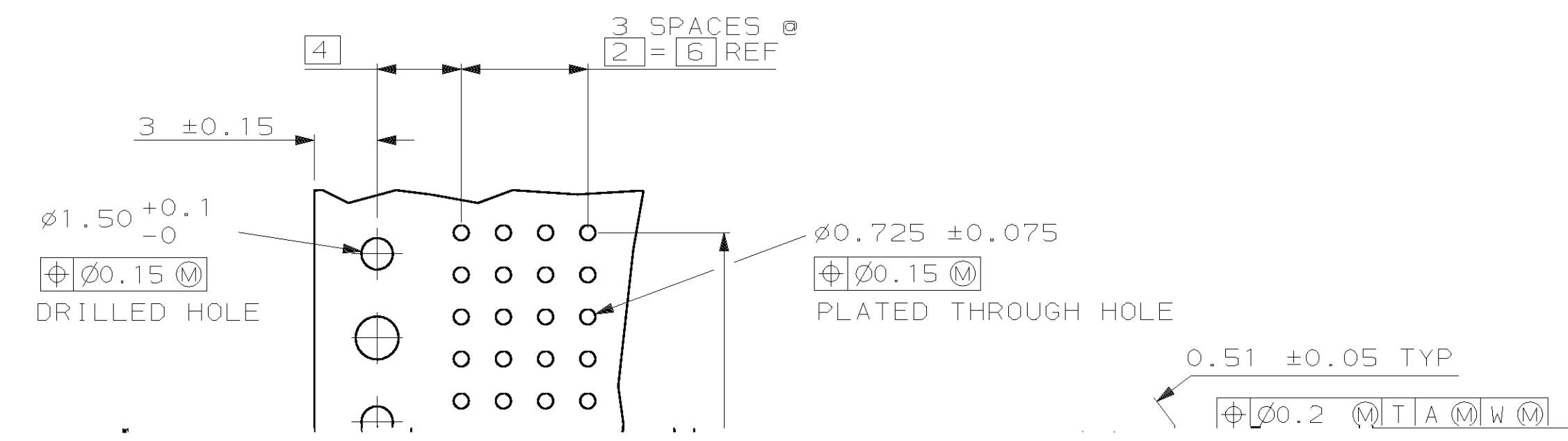
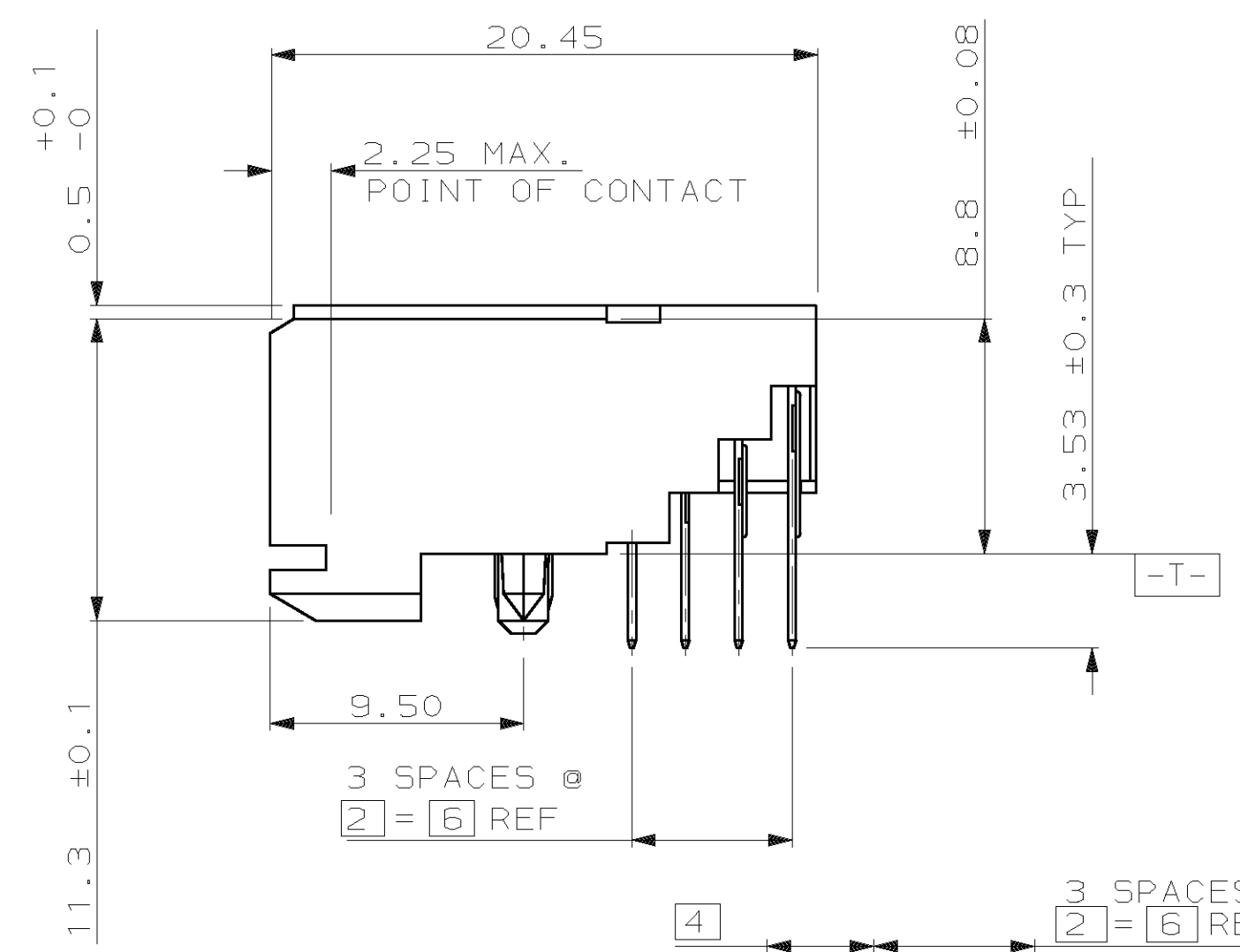
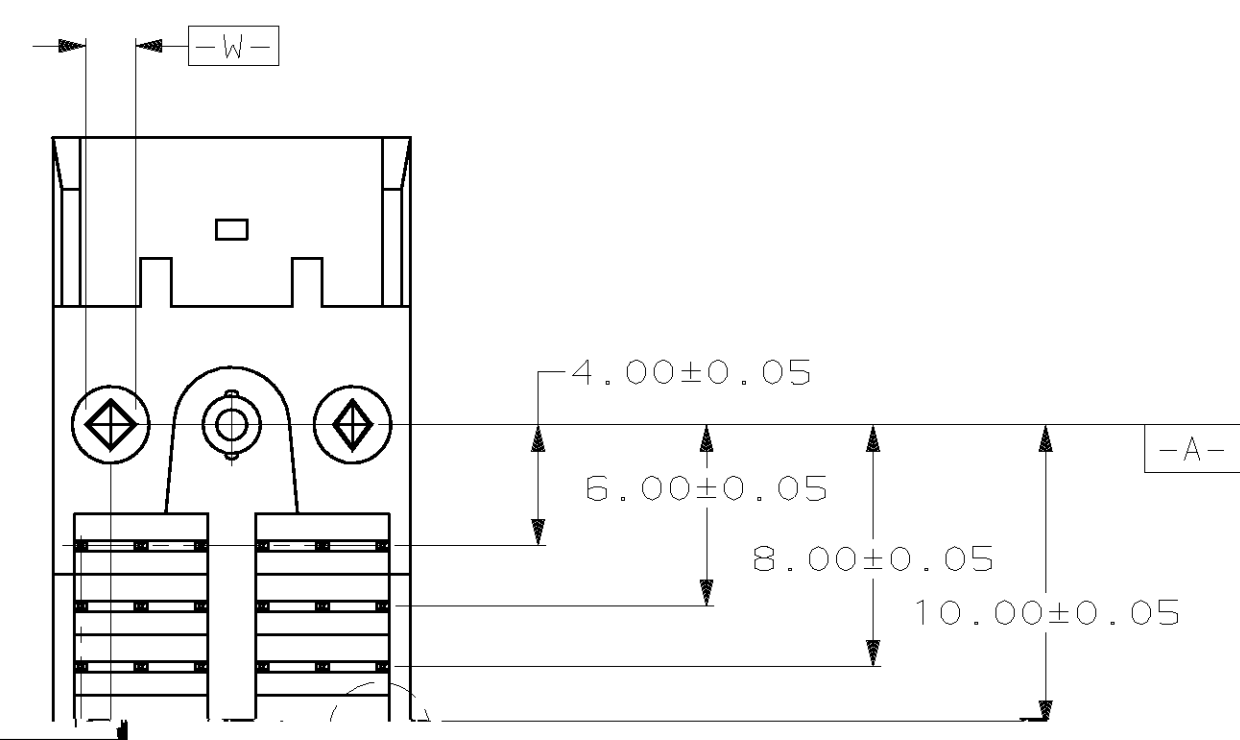
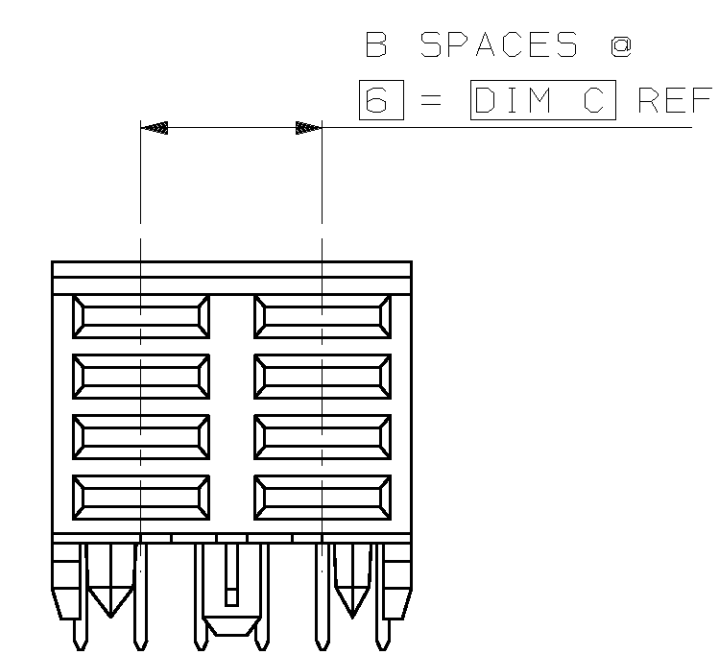
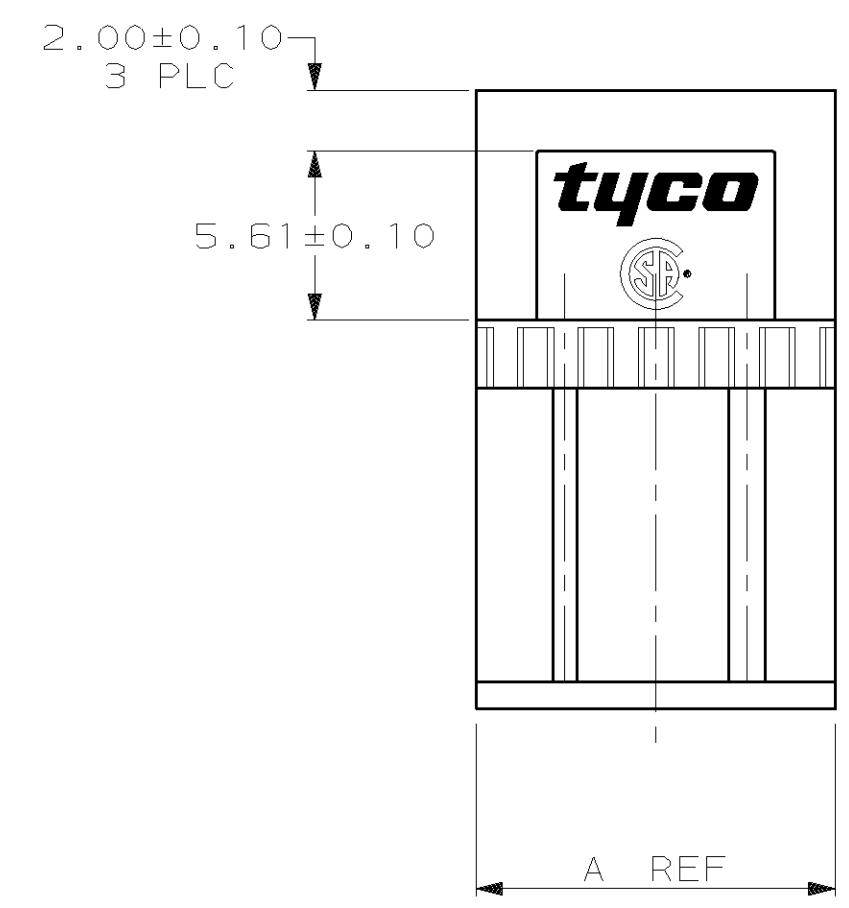


LOC		DIST		P		F		ZONE		LTR		REVISIONS		DATE	APPD
AD	00												J	17NOV00	SU/DK
													K	02 FEB 01	DK
													L	11 JUN 01	DK
													M	10 SEP 03	RW



- ① HOUSING MATERIAL: LIQUID CRYSTAL POLYMER.
- ② CONTACT MATERIAL: PHOSPHOR-BRONZE.
- ③ CONTACT FINISH:  
 ON MATING SURFACES-  
 FLASH GOLD PER AMP INCORPORATED SPECIFICATION, OVER  
 0.0008 MIN. PALLADIUM-NICKEL PER AMP INCORPORATED SPECIFICATION, OVER  
 0.0013 MIN. NICKEL  
 ON LEADS-  
 0.004 MIN. TIN-LEAD, OVER  
 0.0013 MIN. NICKEL  
 SURFACE CONDITIONER PER AMP SPECIFICATION 112-1002 (ENTIRE CONTACT AFTER PLATING).
- ④ CONTACT FINISH:  
 UNDERPLATE (ENTIRE CONTACT):  
 0.0013 MIN NICKEL.  
 ON MATING SURFACES:  
 0.0008 NICKEL OR COBALT HARDENED GOLD  
 PER AMP SPECIFICATION, OVER UNDERPLATE.  
 ON LEADS:  
 0.004 MIN TIN-LEAD, OVER UNDERPLATE.  
 SURFACE CONDITIONER PER AMP SPECIFICATION  
 112-1002 (ENTIRE CONTACT) AFTER PLATING.