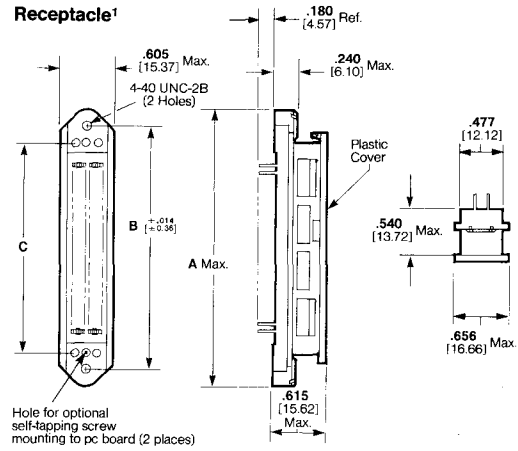
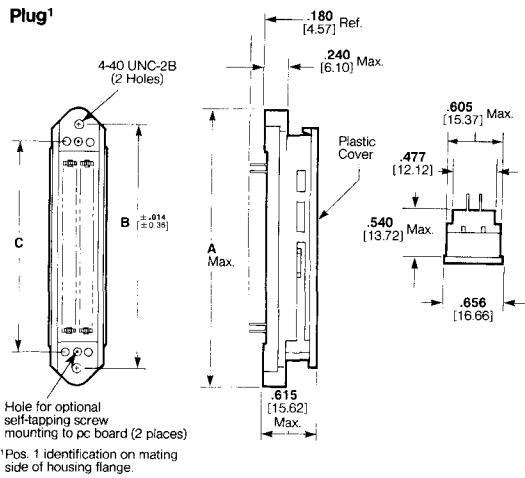
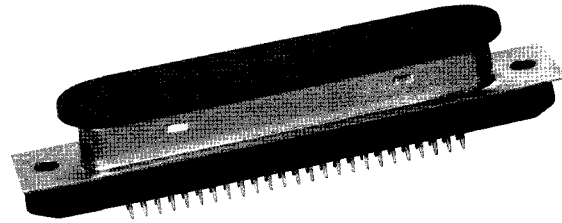


**CHAMP PCB Connectors, ACTION PIN Connector Specifications**

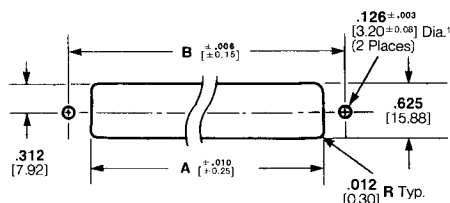


No. of Positions	Dimensions			Part Numbers	
	A	B	C	Plug	Receptacle
14	1.750 44.45	1.416 35.97	1.016 25.81	—	553443-1
24	2.175 55.25	1.842 46.79	1.442 36.63	553444-2	553443-2
36	2.685 68.20	2.352 59.74	1.952 49.58	553444-3	553443-3
50	3.280 83.31	2.946 74.83	2.546 64.67	553444-4 554758-11,2	553443-4 554753-11 557984-13
64	3.875 98.43	3.542 89.97	3.142 79.81	553444-5 554759-11	553443-5



1 Connector contains self retained terminals and net wt. = 15.946 g.  
 2 For capacitive filtered connector, order Part Number 93510-X.  
 3 Shielded for screw lock application.

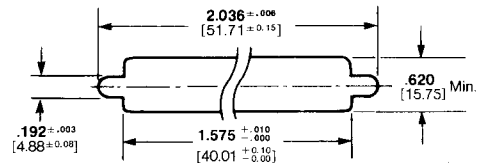
**Panel Cutout Dimensions (Rear Panel Mount)**



No. of Positions	Dimensions	
	A	B
14	1.151 29.24	1.416 35.97
24	1.575 <sup>1</sup> 40.01	1.842 46.79
36	2.085 52.96	2.352 59.74
50	2.700 68.58	2.946 74.83
64	3.275 83.19	3.542 89.67

<sup>1</sup> See Panel Cutout for IEEE-488.

**Panel Cutout for 24-Position IEEE-488 Metric**

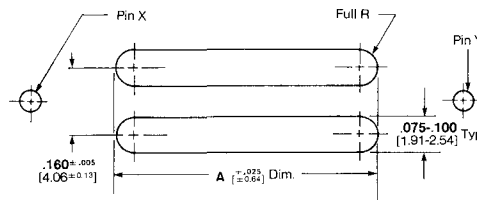


**Note:** Panel thickness range .062-.093 [1.57-2.36] for metric applications; .062 [1.57] for standard 4-40 hardware applications.

**ACTION PIN PC Board Nesting Fixture Requirements**

**Preferred Material:** G-10 or FR-4 glass filled epoxy, aluminum is acceptable.

**Note:** PC board slot pattern shall be true positioned on fixture within .010 [0.25] by pin X and pin Y. Pin location and size to be determined by customer. Minimum of .275 [6.99] slot depth minus customer board thickness.



No. of Positions	Dimension
	A
14	.625 15.88
24	1.050 26.67
36	1.560 39.62
50	2.155 54.74
64	2.750 69.85