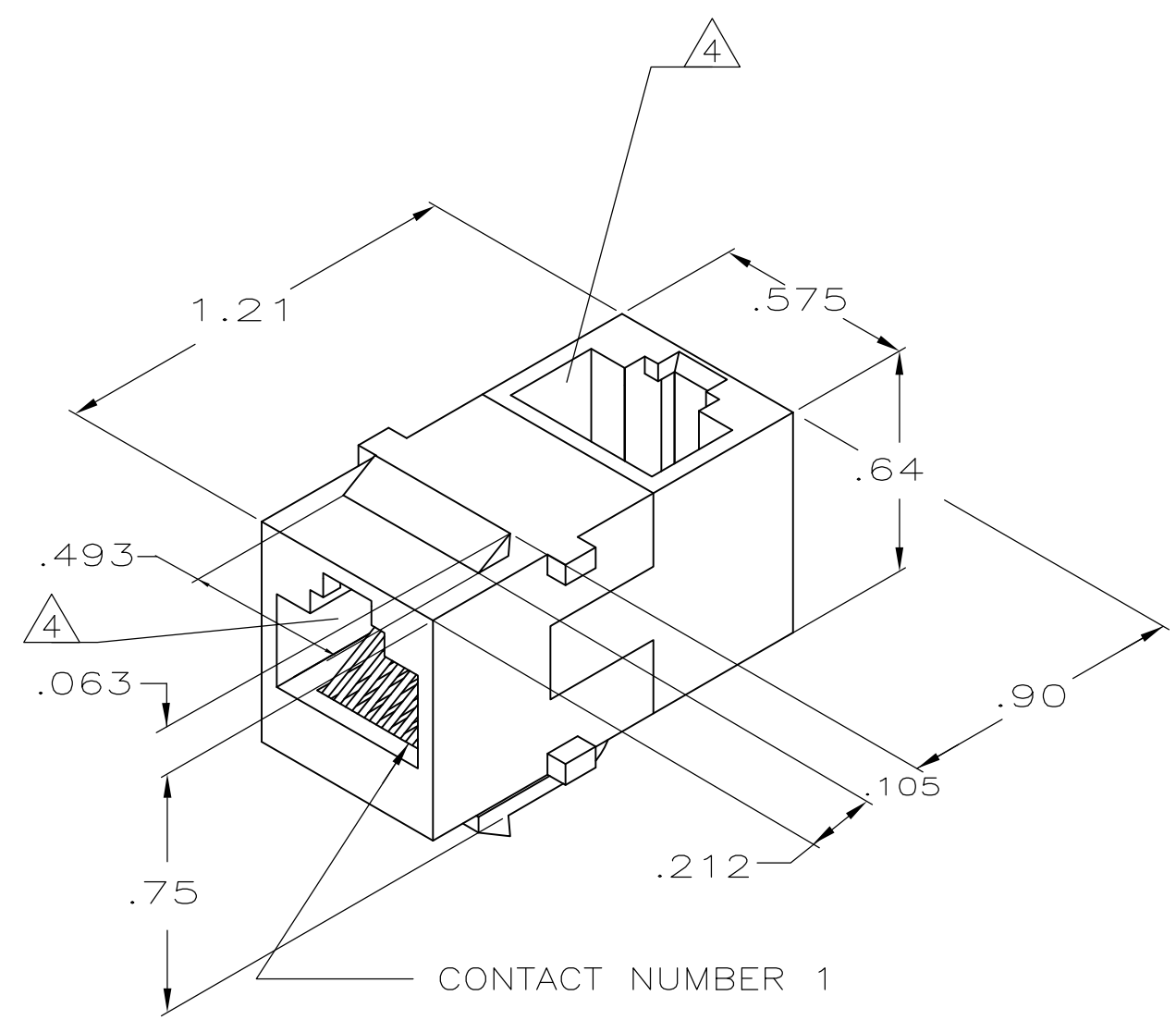
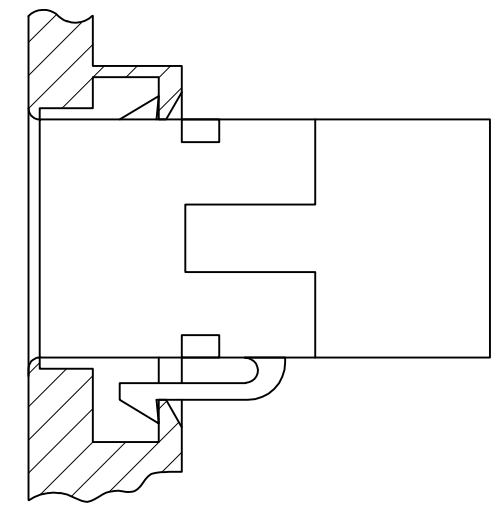


THIS DRAWING IS UNPUBLISHED. RELEASED FOR PUBLICATION  
 © COPYRIGHT - By - ALL RIGHTS RESERVED.

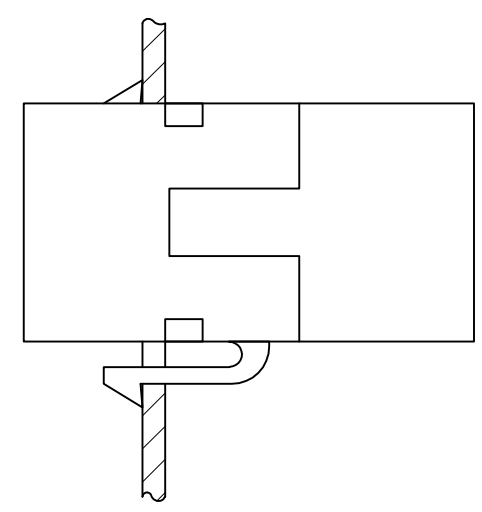
LOC	DIST	REVISIONS					
HM	00	P	LTR	DESCRIPTION	DATE	DWN	APVD
		E1		REVISED PER ECO-11-005033	21MAR11	RK	HMR



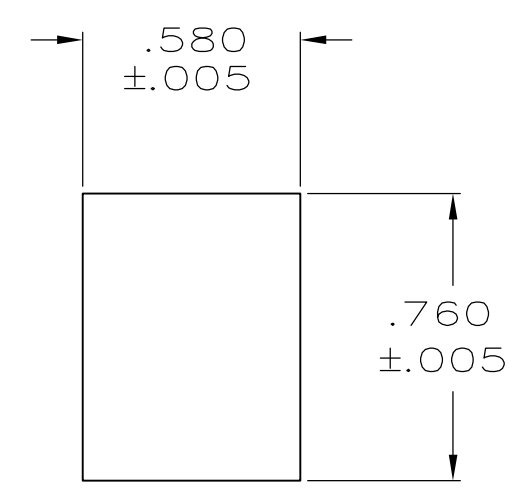
- ALL DIMENSIONS SHOWN ARE MAXIMUM UNLESS OTHERWISE SPECIFIED.
- MATERIAL:  
 HOUSING - POLYPHENYLENE OXIDE, BLACK.  
 TERMINAL - .018 DIA PHOSPHOR BRONZE PLATED  
 .000050 MINIMUM THICK GOLD OVER .000050 MIN THICK NICKEL.
- MOUNTING PANEL THICKNESS .062 NOMINAL.
- CAVITIES SHALL CONFORM TO FCC RULES AND REGULATIONS, PART 68, SUBPART F.



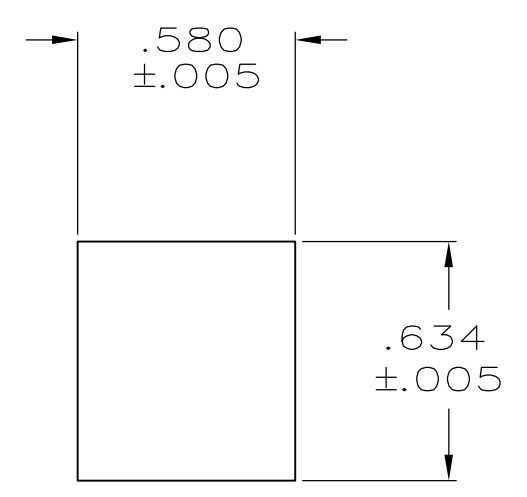
DOUBLE WALL PLATE  
NOT TO SCALE



SINGLE WALL PLATE



RECOMMENDED PANEL CUTOUT  
FOR SINGLE WALL PLATE  
AND BACK PANEL FOR  
DOUBLE WALL PLATE



RECOMMENDED FRONT PANEL  
CUTOUT FOR DOUBLE  
WALL PLATE

555051-1  
PART NUMBER

THIS DRAWING IS A CONTROLLED DOCUMENT.		DWN C. YATES 3-17-87																				
DIMENSIONS: INCHES		CHK B. FOX 3-27-87																				
TOLERANCES UNLESS OTHERWISE SPECIFIED:		APVD C. FOSTER 4-1-87	NAME																			
<table border="0"> <tr><td>0 PLC</td><td>±</td><td>-</td></tr> <tr><td>1 PLC</td><td>±</td><td>-</td></tr> <tr><td>2 PLC</td><td>±</td><td>-</td></tr> <tr><td>3 PLC</td><td>±</td><td>-</td></tr> <tr><td>4 PLC</td><td>±</td><td>-</td></tr> <tr><td>ANGLES</td><td>±</td><td>-</td></tr> </table>		0 PLC	±	-	1 PLC	±	-	2 PLC	±	-	3 PLC	±	-	4 PLC	±	-	ANGLES	±	-	PRODUCT SPEC	COUPLER ASSEMBLY, 8 POSITION, RIGHT ANGLE	
0 PLC	±	-																				
1 PLC	±	-																				
2 PLC	±	-																				
3 PLC	±	-																				
4 PLC	±	-																				
ANGLES	±	-																				
MATERIAL		APPLICATION SPEC	SIZE	RESTRICTED TO																		
FINISH		WEIGHT	CAGE CODE	DRAWING NO																		
-		CUSTOMER DRAWING	A2 00779	SCALE																		
-		SCALE	SHEET	REV																		
			1 of 1	E1																		