

Distributed by:

**JAMECO**<sup>®</sup>  
ELECTRONICS

**www.Jameco.com ♦ 1-800-831-4242**

The content and copyrights of the attached  
material are the property of its owner.

Jameco Part Number 754814

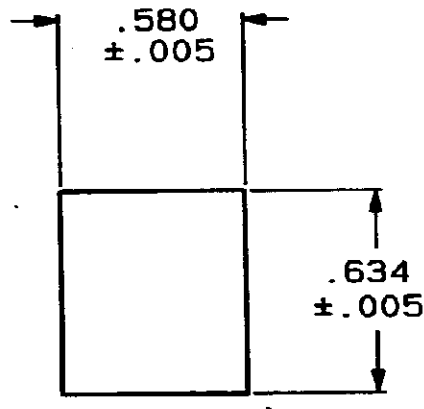
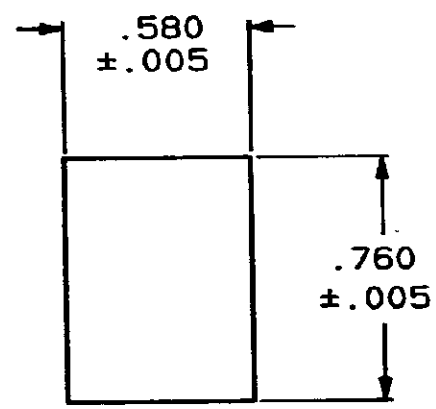
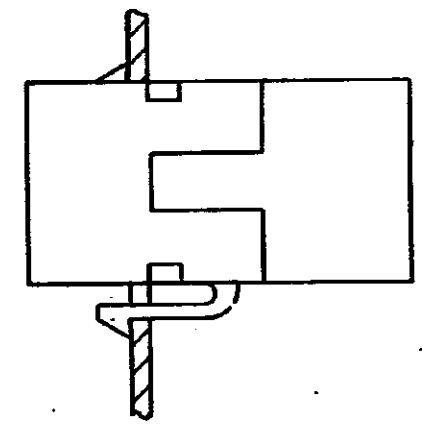
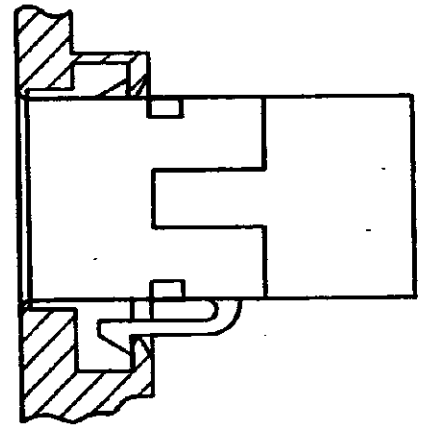
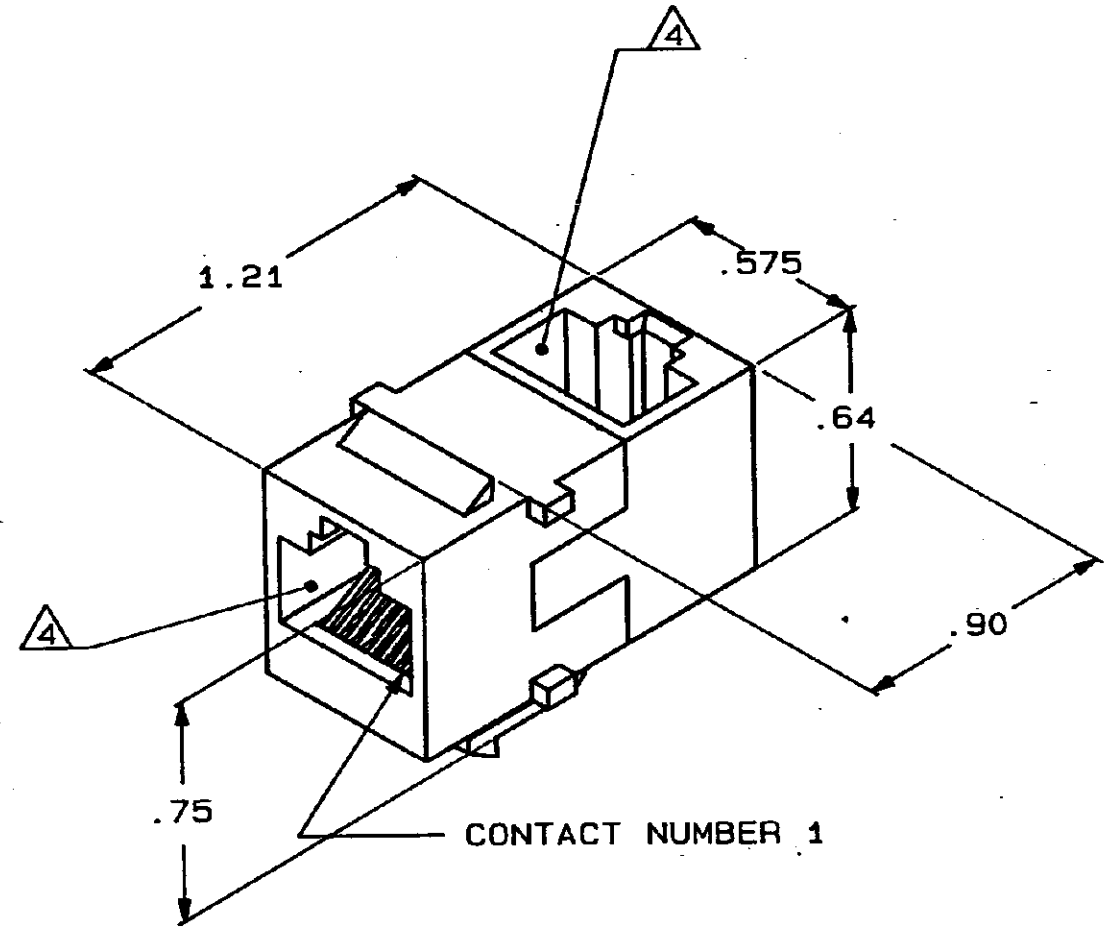
DRAWING MADE IN THIRD ANGLE PROJECTION  
 THIS DRAWING IS UNPUBLISHED. RELEASED FOR PUBLICATION .19  
 © COPYRIGHT 19 BY AMP INCORPORATED. ALL INTERNATIONAL RIGHTS RESERVED.

LOC		DIST		REVISIONS				DATE	APPD
AA	28	P	F	ZONE	LTR	DESCRIPTION			
		D				REV: ECN AA-5169	7-20-88	RN	

- ALL DIMENSIONS SHOWN ARE MAXIMUM UNLESS OTHERWISE SPECIFIED.
- △ MATERIAL:

HOUSING - POLYPHENYLENE OXIDE, BLACK.  
 TERMINAL - .018 DIA PHOSPHOR BRONZE PLATED WITH .000050 MINIMUM THICK GOLD OVER .000050 MINIMUM THICK NICKEL.
3. MOUNTING PANEL THICKNESS .062 NOMINAL.

△ CAVITIES SHALL CONFORM TO FCC RULES AND REGULATIONS, PART 68, SUBPART F.



RECOMMENDED PANEL CUTOUT FOR SINGLE WALL PLATE AND BACK PANEL FOR DOUBLE WALL PLATE

RECOMMENDED FRONT PANEL CUTOUT FOR DOUBLE WALL PLATE

DO NOT SCALE PRINT. UNLESS SPECIFIED DIMENSIONS IN INCHES TOLERANCES ON:		DR C. YATES 3-17-87	555051-1	
2 PLC DEC ± -	3 PLC DEC ± -	CHK B. FOX 3-27-87	PART NO	
ANGLES ± -	MATERIAL △	APPD G. FOSTER 4-1-87	AMP   AMP INCORPORATED Harrisburg, Pa. 17105	
FINISH △	APPLICATION SPEC	APPD G. FOSTER 4-1-87	NAME	
WEIGHT	WEIGHT	PRODUCT SPEC	COUPLER ASSEMBLY, 8 POSITION, RIGHT ANGLE	
		APPLICATION SPEC	SIZE C	FSCM NO 00779
		WEIGHT	SCALE 2:1	DRAWING NO 555051
				SHEET 1 OF 1

CUSTOMER DRAWING

555051