

Shielded CHAMP Right Angle PCB Connectors (Continued)

Board Locking Grounding

Material and Finish
Housing, Bracket Adapter Comb and Terminal Support Plate — Polyester, black

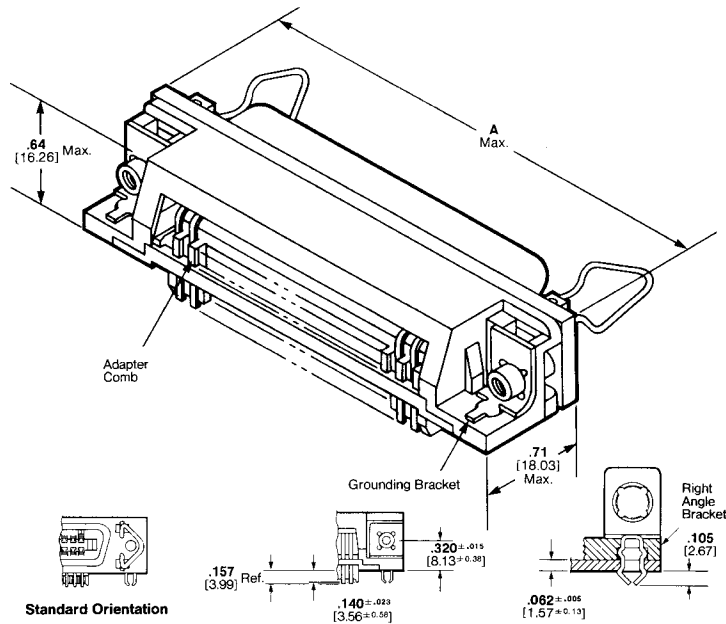
Bail-Clip — Passivated stainless steel

Receptacle Shield — Bright nickel over copper plated die casting

Terminals — Selectively plated gold over nickel plated high strength copper alloy, tin plated tails

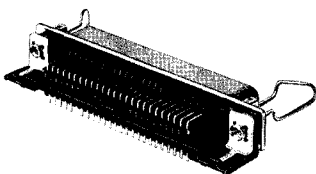
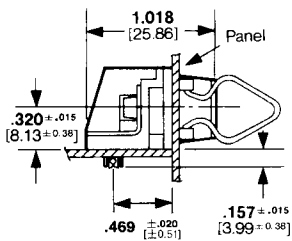
Ground Bracket — Tin-lead plated carbon steel

Note: See page 82 for Suggested Panel Cutout, Rear Panel Mounting Dimensions

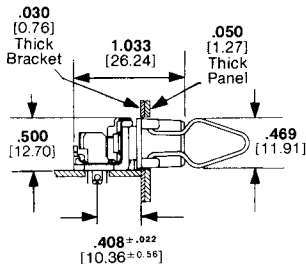


Rear Panel Mounting Detail (Shown for reference only)

Standard Profile Connector



Low Profile Connector



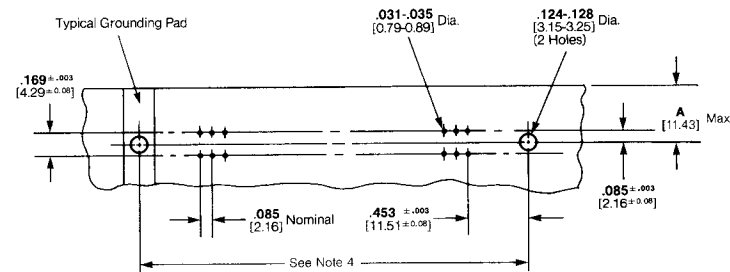
(See chart footnotes)

No. of Positions	Dimension A	Hardware Type	Screw Size	Part Numbers		
				Standard	Reverse	Low-Profile
24	2.205 56.01	Screw Lock	6-32	554923-21	554923-11	557724-16 555139-17 555139-27
36	2.715 68.96	Bail Lock	4-40	555119-11 555520-21,5	—	—
50	3.320 84.33	Screw Lock	4-40	557932-28	557932-18	—

Special Low-Profile Connectors—Compatible with IBM PC AT and PC XT Computer Modules

No. of Positions	Dimension A	Hardware Type	Screw Size	Part Numbers	
				Standard	Reverse
50	3.310 8407	Bail Lock	4-40	555149-12,3	555149-33

Recommended PC Board Mounting Dimensions



1. Maximum PC board thickness is $.062$ [1.57], $A = .450$
2. SCSI applicable
3. Maximum PC board thickness is $.062$ [1.57], $A = .386$
4. $1.842 \pm .006$ [46.79 ± 0.15] 24 Pos. $2.352 \pm .006$ [59.74 ± 0.15] 36 Pos. and $2.946 \pm .006$ [74.83 ± 0.15] 50 Pos.
5. Has drawn metal shield
6. Shielded, standard orientation, board lock, compatible with vapor phase & IR reflow
7. Shielded with ground bracket 4-40 thread (low profile)
8. Plated Backshell

IBM, AT and XT are trademarks of IBM Corporation.